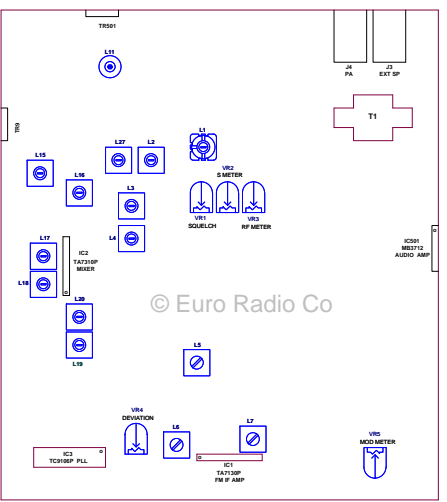


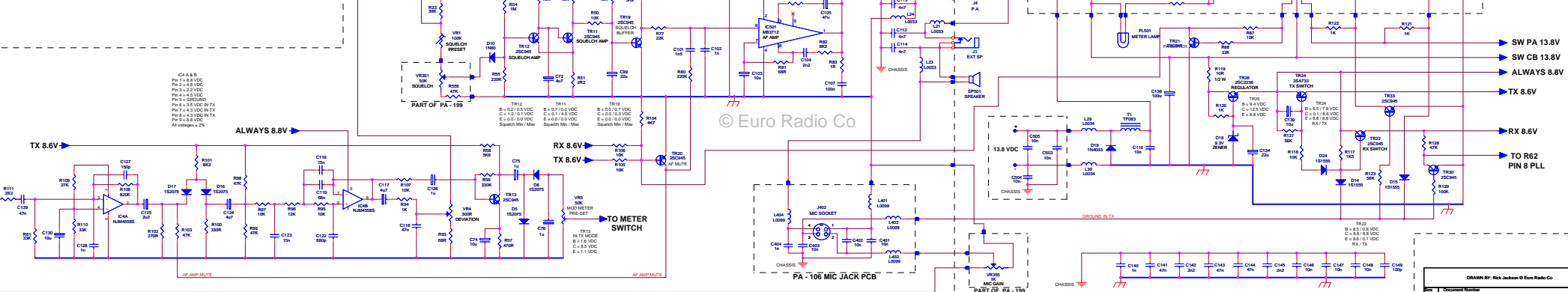
NOTE:
All Transistor and IC voltages are $\pm 2\%$.
All Voltages taken with Fluke 89 IV.

© Euro Radio Co

UNIDEN 400 MODEL PC- 404



© Euro Radio Co



© Euro Radio Co