

ANTENNA INSTALLATION

BASE STATION:

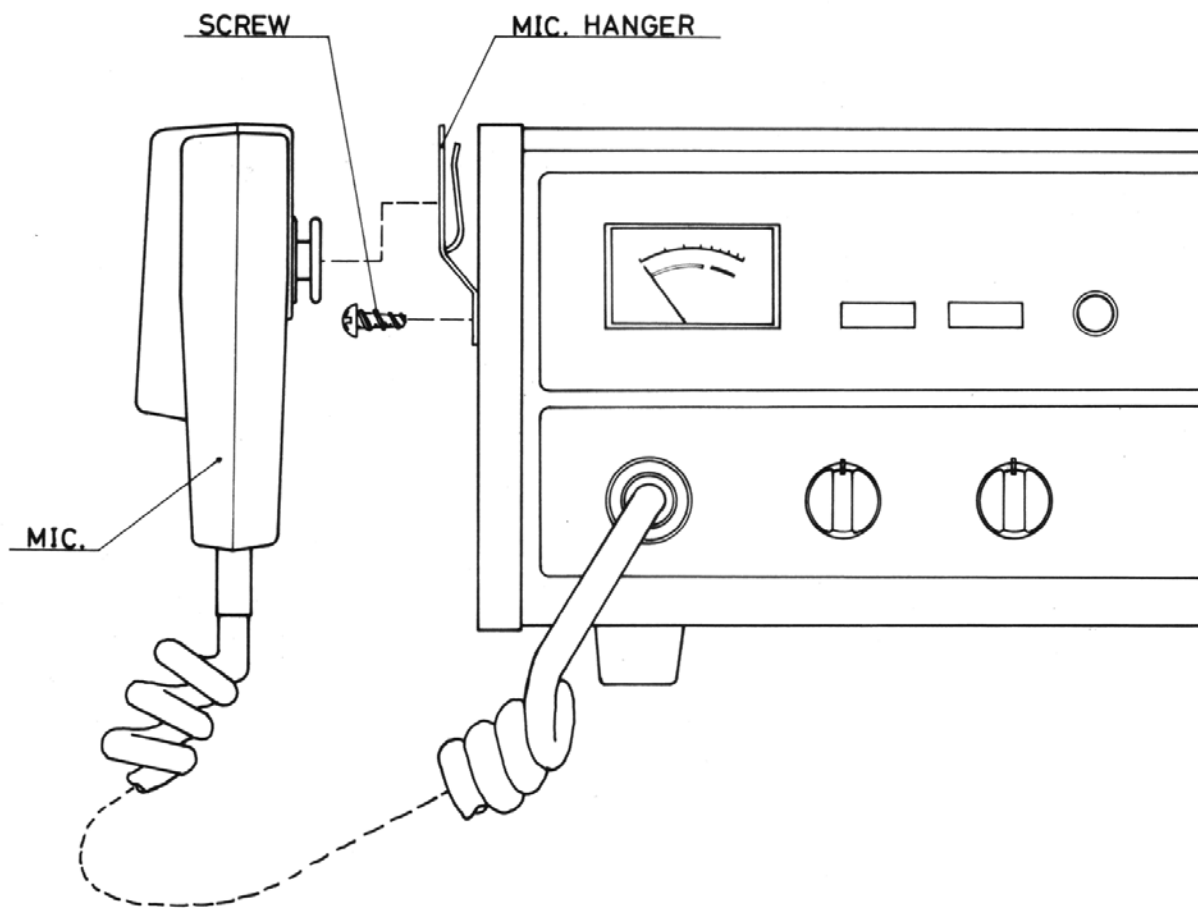
Any Citizens Band beam, dipole, ground plane or vertical antenna may be used. A ground plane type will provide greater coverage and, since it is essentially non-directional, it is ideal in base station to mobile operation. From base station to base station, or point to point operation, a directional beam will give greater distance even under adverse condition. The range of the transceiver depends basically on the height of the antenna and whenever possible, select the highest location within F.C.C. limits. (These regulations limit the antenna height to 20 feet above an existing structure). Generally a maximum of 26 feet of lead-in cable should be used due to line losses. However, a desirable antenna location may justify the loss in extra lead-in length.

SERVICING YOUR TRANSCEIVER

The technical information, diagrams and charts provided in this manual are supplied for the use of a qualified holder of a first or second class radiotelephone license in servicing this transceiver. It is the users responsibility to see that this unit is operating at all times in accordance with the F.C.C. citizens radio service regulations.

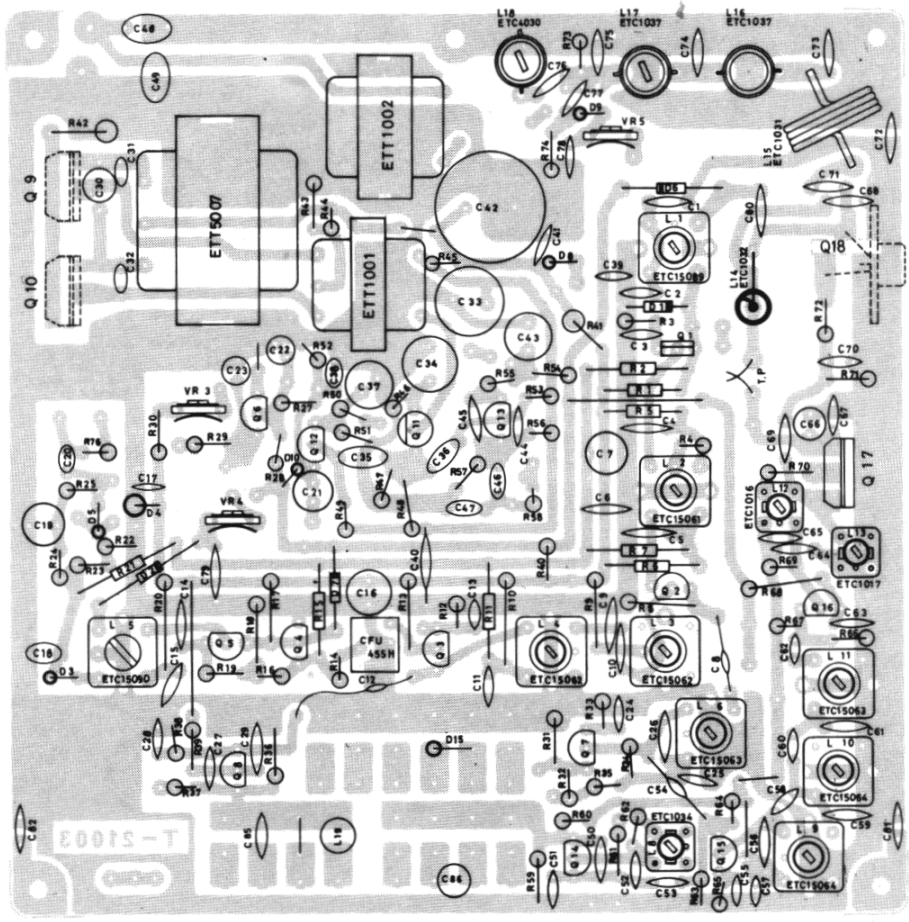
If you install your own transceiver, do not attempt to make any transmitter tuning adjustments. Adjustments are prohibited by the F.C.C. unless you hold or are in the presence and under the supervision of a first or second class radiotelephone licensed person. A Citizens Band or Amateur license is not sufficient.

MOUNTING INSTRUCTIONS

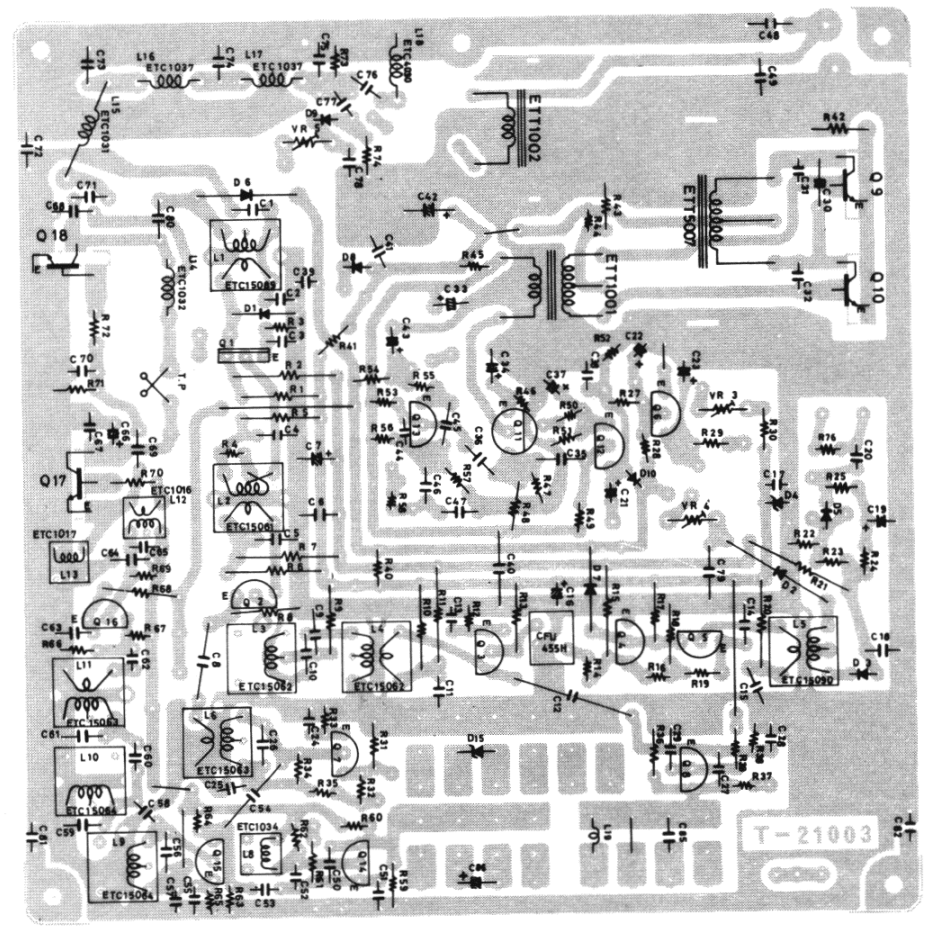


PARTS LAYOUT

TOP VIEW

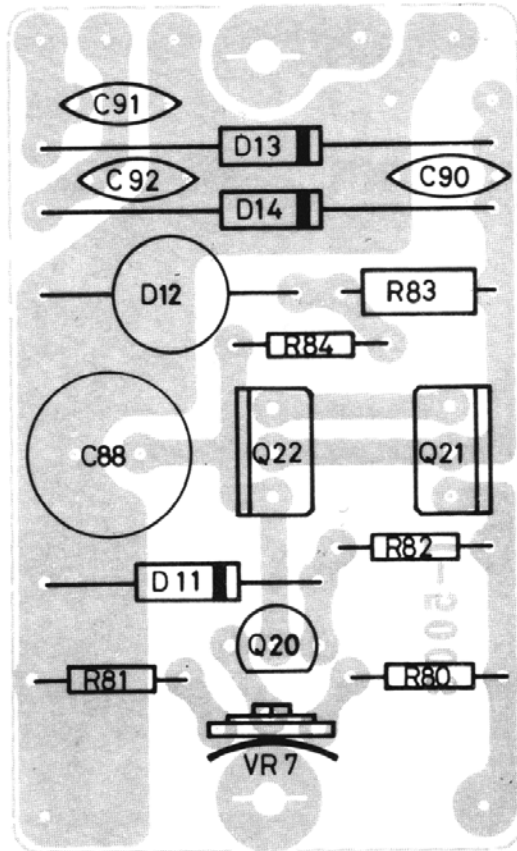


BACK VIEW

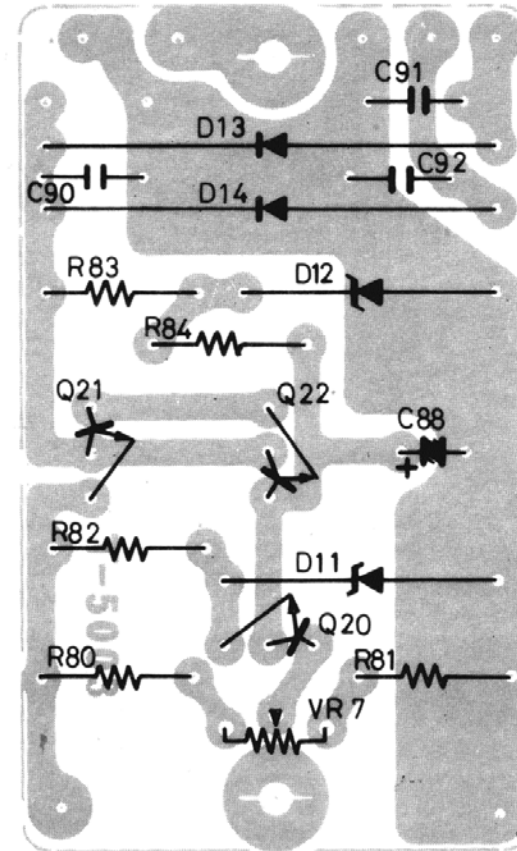


PARTS LAYOUT OF VOLTAGE REGULATOR UNIT

TOP VIEW

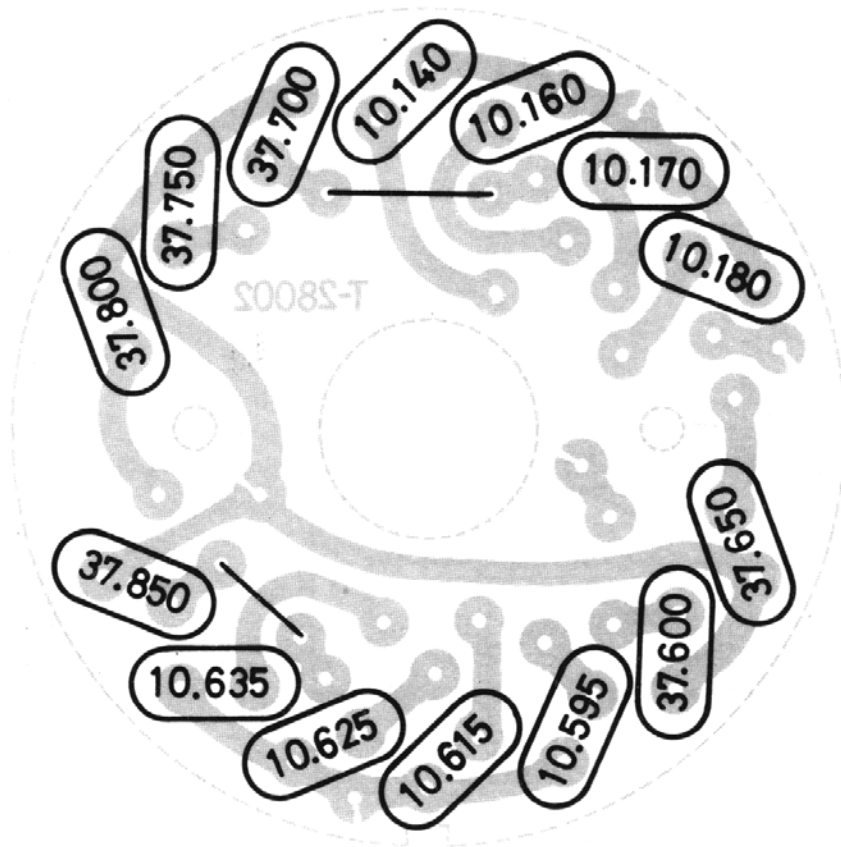


BACK VIEW

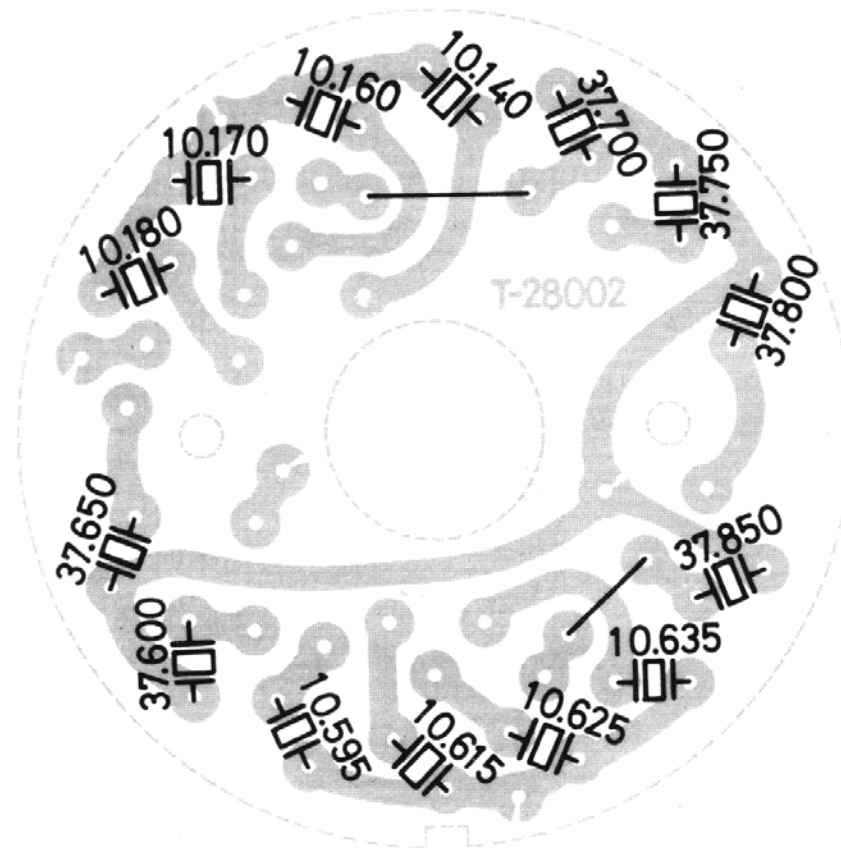


CRYSTAL UNIT LAYOUT

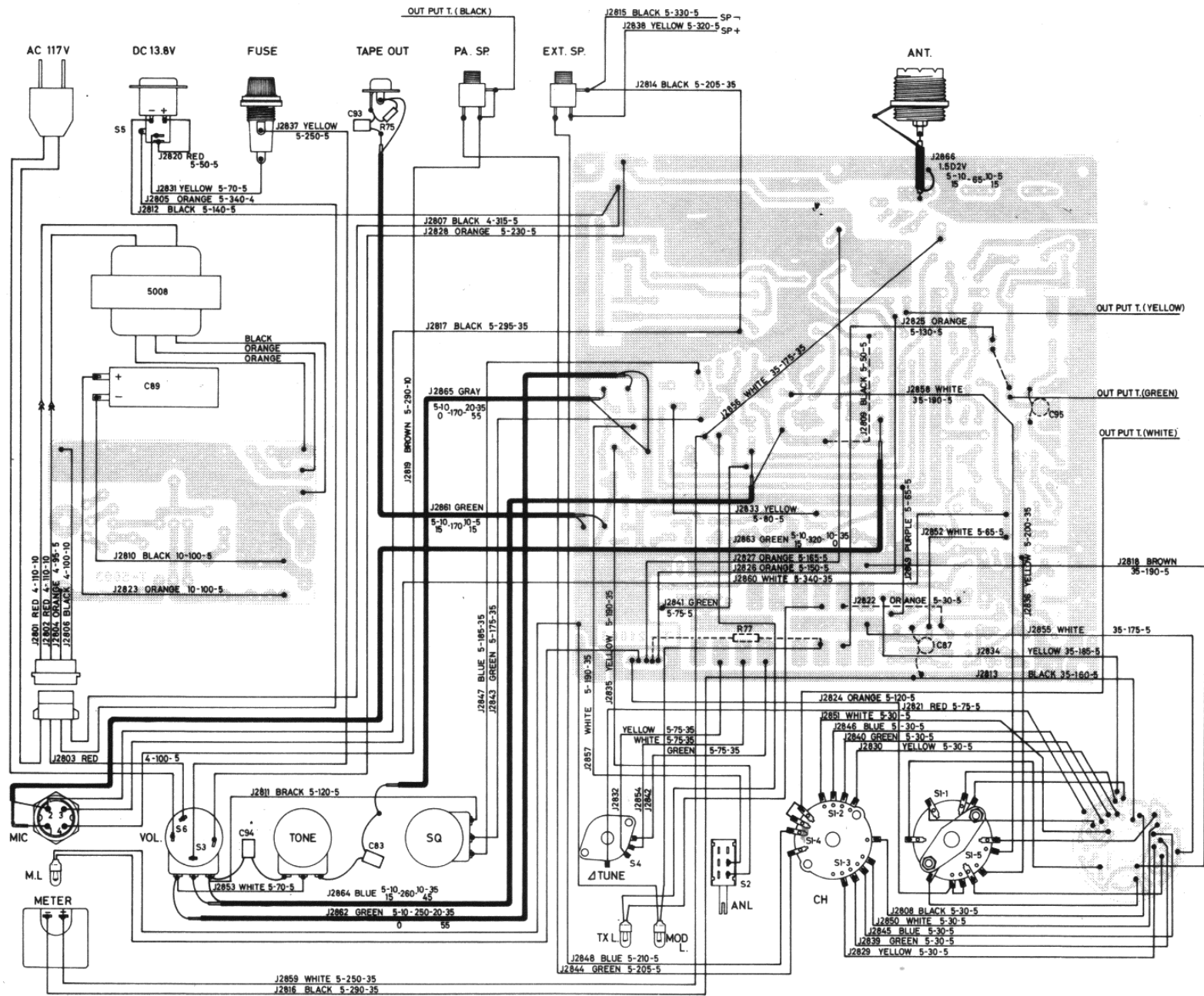
TOP VIEW



BACK VIEW



WIRING DIAGRAM



FEDERAL COMMUNICATIONS COMMISSIONS REQUIREMENTS

Your new Royce 1-620 is a combination receiver-transmitter designed and built for licensed Class D operation on any of the 23 frequencies designated as citizens band channels by the Federal Communications Commission. You are required to read and understand Part 95 of the F.C.C. rules and regulations prior to operation of this unit. Part 95 regulations are available for \$2.00 from the Superintendent of Documents, Government Printing Office, Washington, D.C. 20402. You are also required to complete F.C.C. form 505 and submit it to the F.C.C. in order to receive your license to operate this unit. F.C.C. regulations will be violated if you transmit with this unit prior to receipt of your license.

NOTE

The technical information, diagrams, and charts provided in this manual are supplied for the use of a qualified holder of a first or second class radiotelephone license in servicing this transceiver. It is the users responsibility to see that this unit is operating at all times in accordance with the F.C.C. Citizens Radio Service regulations.

If you install or service your own transceiver, do not attempt to make any transmitter tuning adjustment. Transmitter adjustments are prohibited by the F.C.C. unless you hold a first or second class radiotelephone license or are in the presence of a person holding such a license. A Citizens Band or Amateur license is not sufficient.

ROYCE ELECTRONICS CORPORATION HEREBY CERTIFIES THAT THIS EQUIPMENT HAS BEEN DESIGNED, MANUFACTURED AND FURNISHED IN ACCORDANCE WITH VOL. 6 PART 95 OF THE CURRENT FCC RULES AND REGULATIONS FOR CLASS D CITIZENS BAND OPERATION.

WARRANTY POLICY

Royce products are built to rigid specifications and are quality audited at several stages in their manufacturing. We warrant each new Royce product to be free from defects in material and craftsmanship for a period of 90 days under normal use. We will repair free of charge or replace at no charge any unit which our examination shall disclose to be defective and under warranty. This warranty shall be valid only where a purchaser has filled in and has on file at the factory a warranty registration card (supplied with all units). If no warranty card is on file, a sales receipt showing the date of purchase must accompany the article being returned.

This warranty is invalid to any Royce product which has been subject to misuse, neglect, accident, modifications in wiring not of our own installation, or to the use in violation of instructions furnished by us. It is also not applicable to units which have been modified or repaired outside our factory.

This warranty does not cover earphones, carrying cases, antennas, batteries, broken or cracked cabinets, or any accessory used in connection with the product.

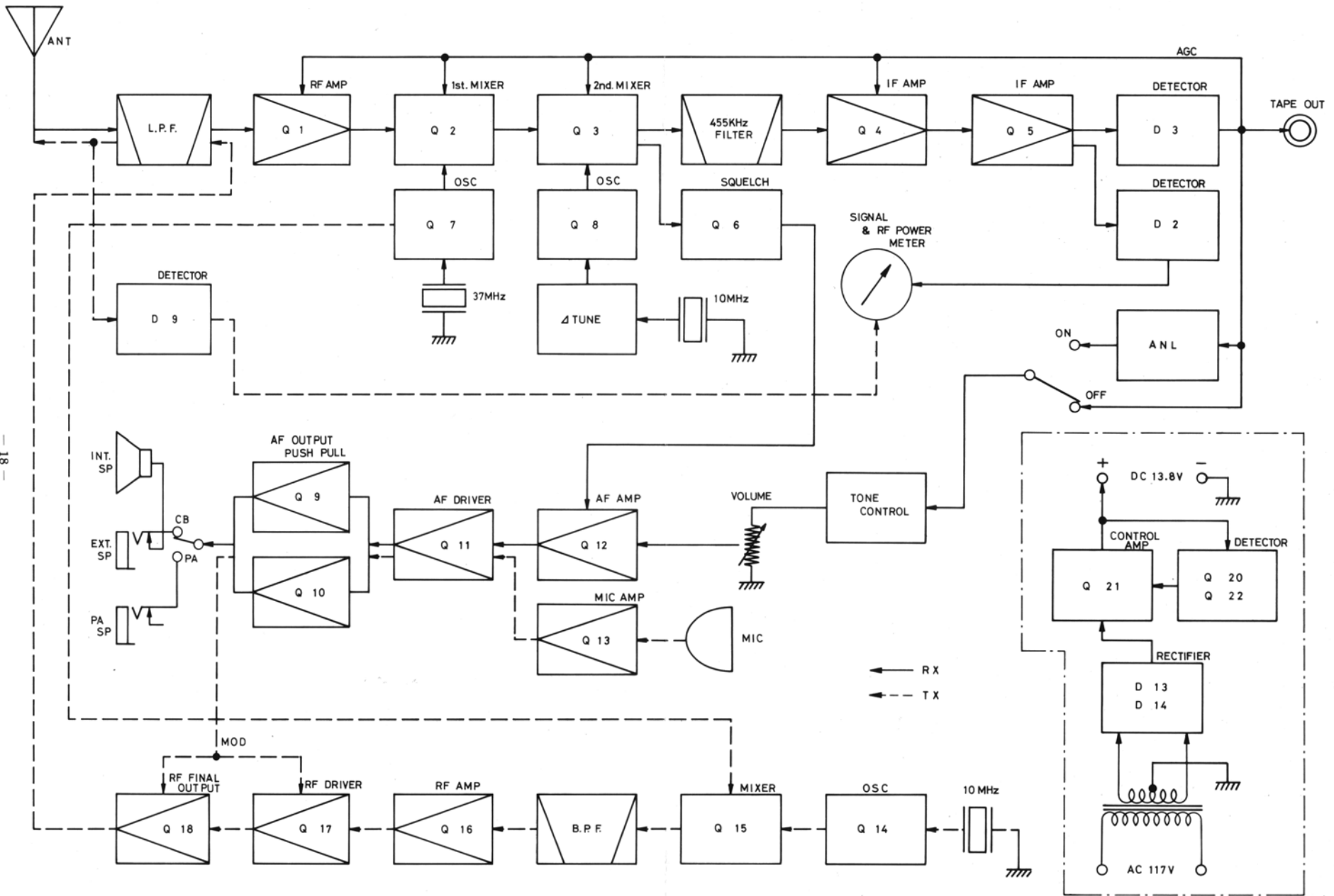
Should in warranty repair be required, carefully pack the unit and ship it, insured prepaid, to the address listed below. Enclose \$2.00 to cover return postage and handling.

This warranty is in lieu of all other warranties expressed or implied, and no representative or person is authorized to assume for us any other liability in connection with the sale of our products.

Royce  **electronics corporation**

1142 Clay Street North Kansas City, Missouri 64116

Royce Electronics Corporation Copyright 1974
North Kansas City, Missouri 64116 U.S.A.
Made Exclusively for Royce Electronics Corp. in Japan.



SCHEMATIC DIAGRAM

