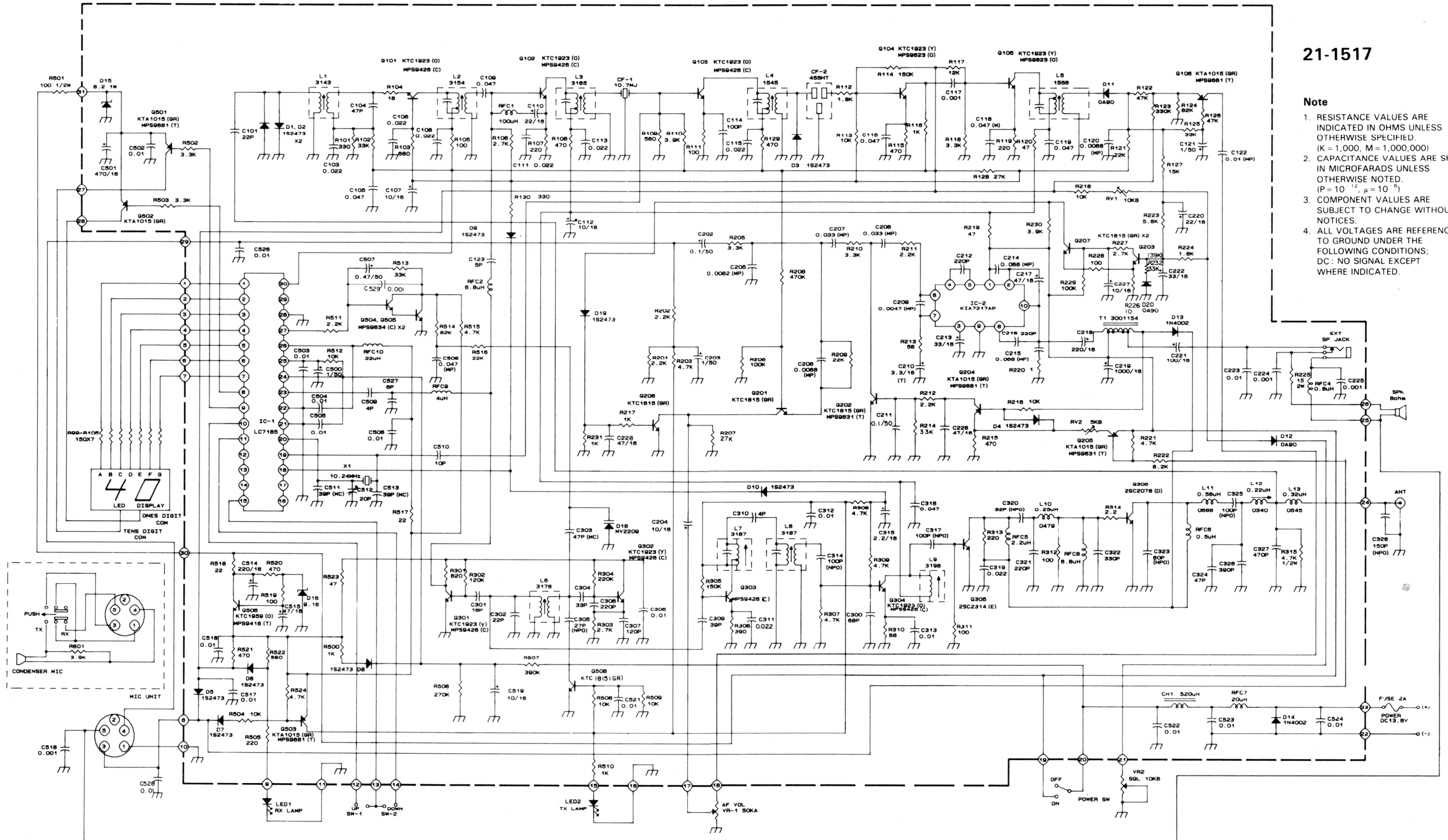


SCHEMATIC DIAGRAM

21-1517



Note

1. RESISTANCE VALUES ARE INDICATED IN OHMS UNLESS OTHERWISE SPECIFIED. (K = 1,000, M = 1,000,000)
2. CAPACITANCE VALUES ARE SHOWN IN MICROFARADS UNLESS OTHERWISE NOTED. (P = 10⁻¹², μ = 10⁻⁶)
3. COMPONENT VALUES ARE SUBJECT TO CHANGE WITHOUT NOTICE.
4. ALL VOLTAGES ARE REFERENCED TO GROUND UNDER THE FOLLOWING CONDITIONS: DC: NO SIGNAL EXCEPT WHERE INDICATED.