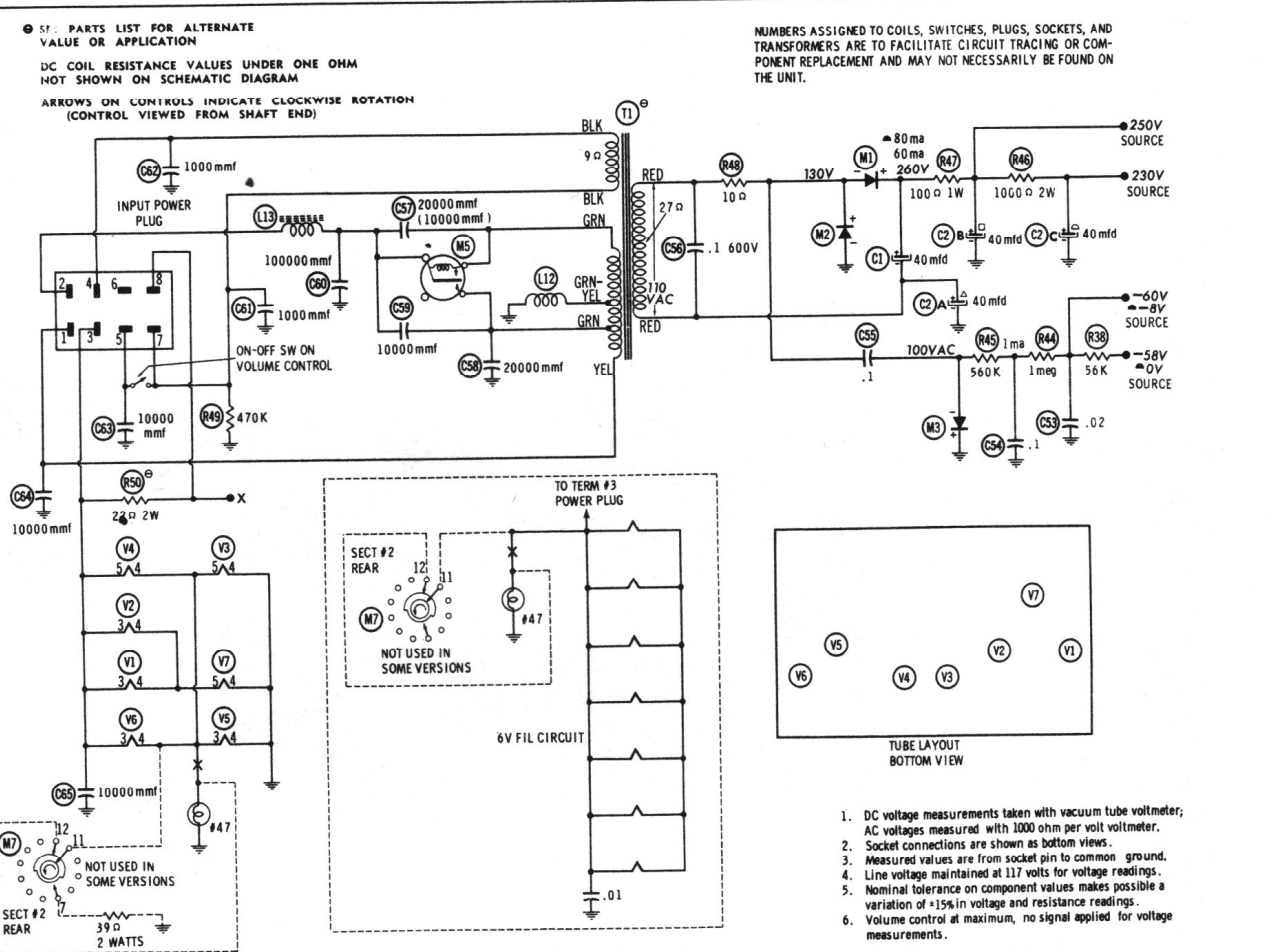
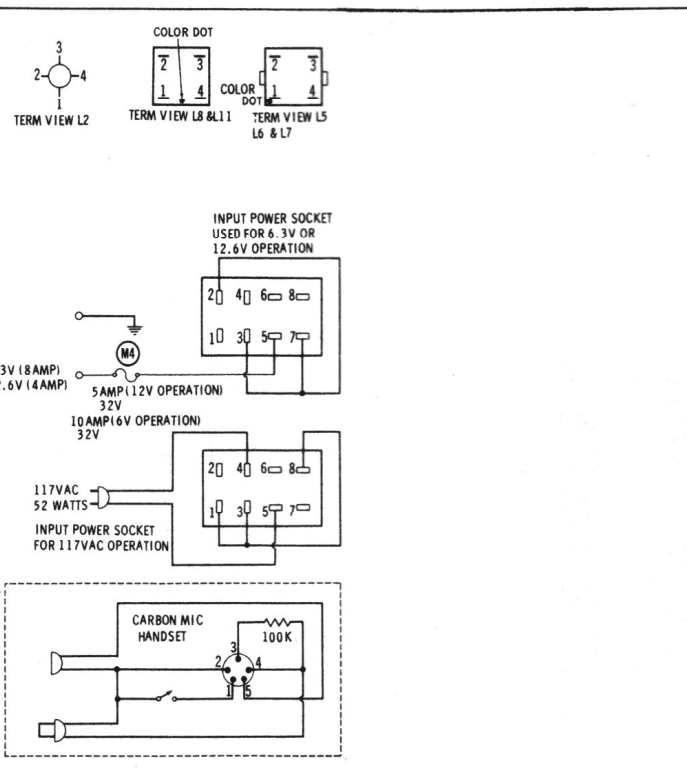


RESISTANCE READINGS

ITEM	TUBE	Pin 1	Pin 2	Pin 3	Pin 4	Pin 5	Pin 6	Pin 7	Pin 8	Pin 9
V1	6BA6	2.3 meg	0 Ω	.2 Ω	.1 Ω	†5800 Ω	†25K	68 Ω		
V2	6BE6	47K	.1 Ω	.2 Ω	.1 Ω	†48K	†40K	47K		
V3	6BA6	2 meg	0 Ω	.8 Ω	0 Ω	†3300 Ω	†30K	68 Ω		
V4	6EA8	†135K	1 meg	†50K	.8 Ω	.2 Ω	†3300 Ω	150 Ω	0 Ω	2.2 meg
V5	6T8A	490K	220K	1.9 meg	0 Ω	.3 Ω	†1.9 meg	0 Ω	10 meg	†470K
V6	6AQ5A	NC	330 Ω	.2 Ω	.3 Ω	†450 Ω	†1100 Ω	470K		
V7	6AW8A	0 Ω	†47K	†48K	0 Ω	.1 Ω	0 Ω	††83K	†9300 Ω	†470 Ω

ALL MEASUREMENTS MADE IN "RECEIVE" POSITION WITH MIKE UNPLUGGED UNLESS OTHERWISE DESIGNATED.  
 † MEASURED IN "TRANSMIT" POSITION. NC NO CONNECTION  
 †† MEASURED FROM OUTPUT OF M3.



†† PARTS LIST FOR ALTERNATE VALUE OR APPLICATION

DC COIL RESISTANCE VALUES UNDER ONE OHM NOT SHOWN ON SCHEMATIC DIAGRAM

ARROWS ON CONTROLS INDICATE CLOCKWISE ROTATION (CONTROL VIEWED FROM SHAFT END)

NUMBERS ASSIGNED TO COILS, SWITCHES, PLUGS, SOCKETS, AND TRANSFORMERS ARE TO FACILITATE CIRCUIT TRACING OR COMPONENT REPLACEMENT AND MAY NOT NECESSARILY BE FOUND ON THE UNIT.

- DC voltage measurements taken with vacuum tube voltmeter;
- AC voltages measured with 1000 ohm per volt voltmeter.
- Socket connections are shown as bottom views.
- Measured values are from socket pin to common ground.
- Line voltage maintained at 117 volts for voltage readings.
- Nominal tolerance on component values makes possible a variation of ±15% in voltage and resistance readings.
- Volume control at maximum, no signal applied for voltage measurements.