

Figure 8 – Wiring Diagram – Main Board Assembly

COMPONENT
LOCATION GUIDE

C2	D1	C120	C1	R36	D9
C3	C1	C121	C1	R37	D9
C4	B1	C124	A1	R38	E7
C5	B2	C125	C2	R39	E7
C6	B2	C201	B8	R40	E7
C7	C2	C202	A8	R41	E7
C8	B2	C203	A8	R42	D7
C9	B3	C204	A8	R43	E6
C10	C2	C205	A8	R44	E6
C11	D3	C206	A8	R45	E6
C12	B3	C207	B8	R46	D6
C13	B4	C208	B8	R47	E5
C14	B3	C209	B8	R48	E5
C15	D4	C210	B8	R49	E5
C16	C5	C211	B8	R50	E4
C17	D5	C212	B8	R51	E4
C18	C5	C213	A8	R52	E4
C19	C5	C214	B7	R53	E5
C20	D5			R54	D5
C21	C5	D1	C2	R56	D4
C22	C6	D2	D1	R57	D5
C24	D6	D3	C2	R58	D3
C26	D6	D4	C2	R60	E4
C27	C7	D5	C2	R61	E4
C28	D7	D6	C2	R62	E7
C29	D7	D7	C2	R63	D8
C30	D7	D8	E2	R64	
C31	D6	D9	D4	R66	B5
C32	D7	D10	D4	R67	B6
C33	E7	D11	D4	R68	C5
C34	E6	D12	E6	R69	C5
C35	D5	D13	D7	R70	C5
C36	E5	D14	D7	R71	B6
C37	E6	D15	D7	R72	B6
C38	E5	D16	B7	R73	B6
C39	E5	D17	C7	R74	B6
C40	E5	D19	C5	R75	B6
C41	E5	D20	B3	R76	B6
C42	E4	D21	A6	R77	B5
C43	E4	D22	B6	R78	B5
C44	E4	D23	B6	R79	B5
C45	E4	D24	A6	R80	
C47	E4			R81	A5
C48	E4	FC1	A7	R82	A5
C49	E3			R83	A5
C50	E3	FL1	C4	R84	A5
C51	E3			R85	B5
C52	D3	IC1	B6	R86	A5
C53	D4	IC2	B4	R87	A5
C54	E4			R90	A4
C56	C4	J1	A8	R91	B4
C57	C4	J3	E1	R92	B4
C58	E5	J4	E1	R93	B4
C59				R94	B4
C60	B5	L1	C2	R95	A3
C61	C4	L2	C3	R97	B3
C62	C5	L3	C4	R98	B3
C63	C6	L4	C4	R99	B2
C64	C6	L6	D5	R100	A2
C65	C7	L7	D6	R101	B2
C66	C7	L8	A6	R102	B3
C67	B7	L9	A4	R103	A2
C68	B6	L10	A4	R104	A1
C69	B6	L11	B5	R105	A1
C70	B6	L12	A3	R106	C1
C71	A6	L13	A3	R107	E1
C72	A6	L14	A2	R108	C3
C73	A6	L15	A1	R109	C3
C74	A6	L16	B2	R110	D3
C75	A6	L17	B1	R111	D6
C76	B5	L18	C1	R112	C7
C77	A5	L19	C1	R113	C3
C78	A5	L20	D1	RY1	D2
C79	A5			RY2	E2
C80	A5	R1	C2		
C81	A4	R2	C3		
C82	B5	R3	B3	T1	D2
C83	B3	R4	C2	T2	D2
C84	A5	R5	C2		
C85	A5	R6	D3	TR1	B2
C86	B5	R7	D3	TR2	B4
C87	A4	R8	B3	TR3	C4
C88	B5	R9	B4	TR4	D5
C89	B5	R10	C3	TR5	D6
C90	A4	R11	C3	TR6	D6
C91	B3	R12	C4	TR7	C7
C92	A4	R13	C5	TR8	E7
C93	A3	R14	C4	TR9	E7
C94	B3	R15	D4	TR10	E7
C95	A2	R16	D5	TR11	E7
C96	B3	R17	D5	TR12	E5
C97	B2	R18	C6	TR13	E5
C98	A2	R19	D5	TR14	D6
C99	A1	R20	D5	TR16	D4
C100	A1	R21	C6	TR17	C3
C101	A1	R22	D6	TR18	A5
C102	B2	R23	C6	TR19	A5
C103	B1	R24	D6	TR20	B5
C104	B2	R25	D5	TR21	C6
C105	B1	R26	D7	TR22	B4
C106	D3	R27	D7	TR23	C3
C107	D3	R28	C7	TR24	B2
C108	C2	R29	C7	TR25	A2
C110	D1	R30	D7	TR26	B1
C115	A1	R31	C7	VR1	C6
C116	E1	R32	C7	VR2	D4
C117	B1	R33	C7	VR3	D7
C118	C1	R34	D7		
C119	B1	R35	D7	X1	C5

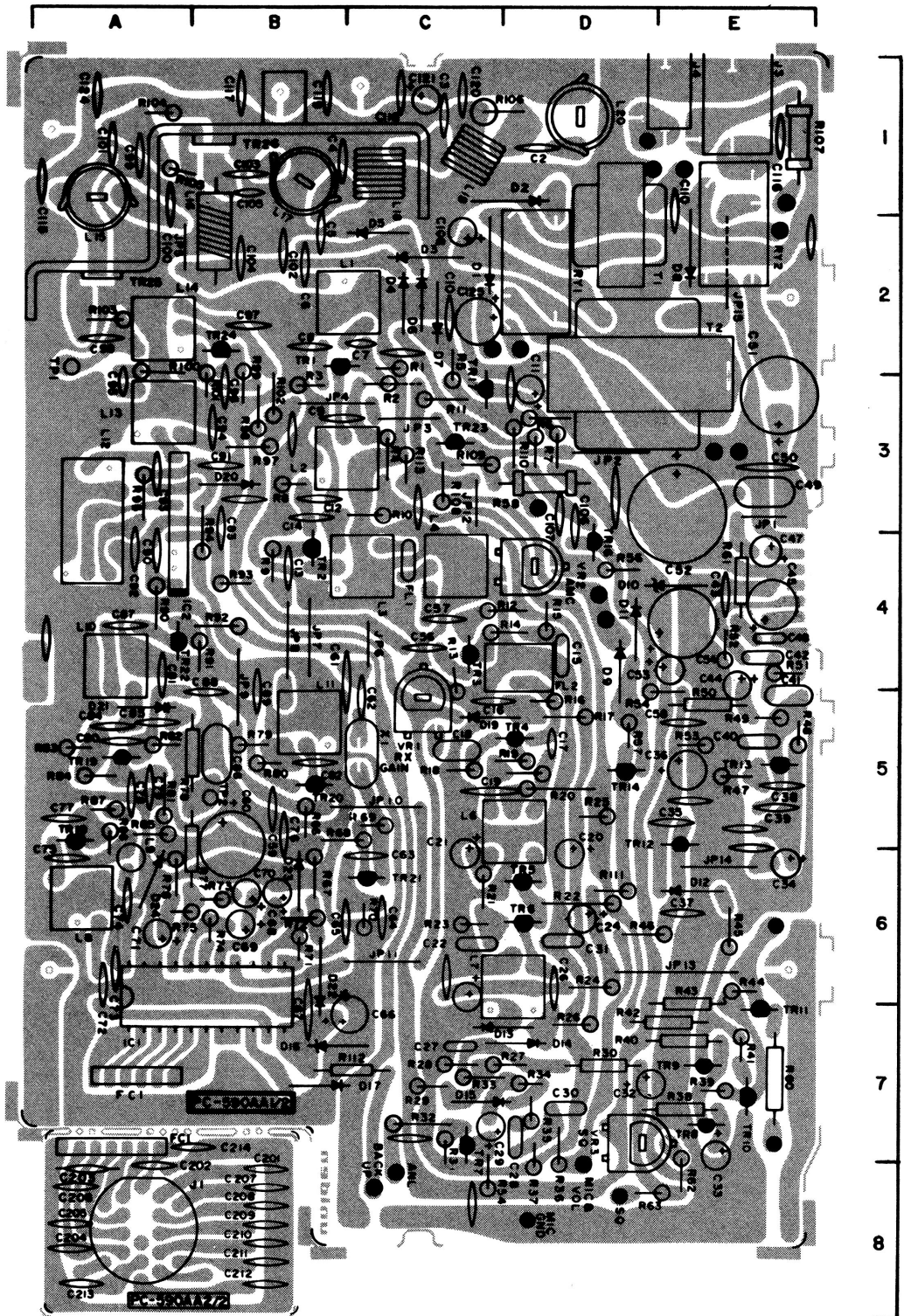


Figure 9 – Printed Board – Main Board Assembly

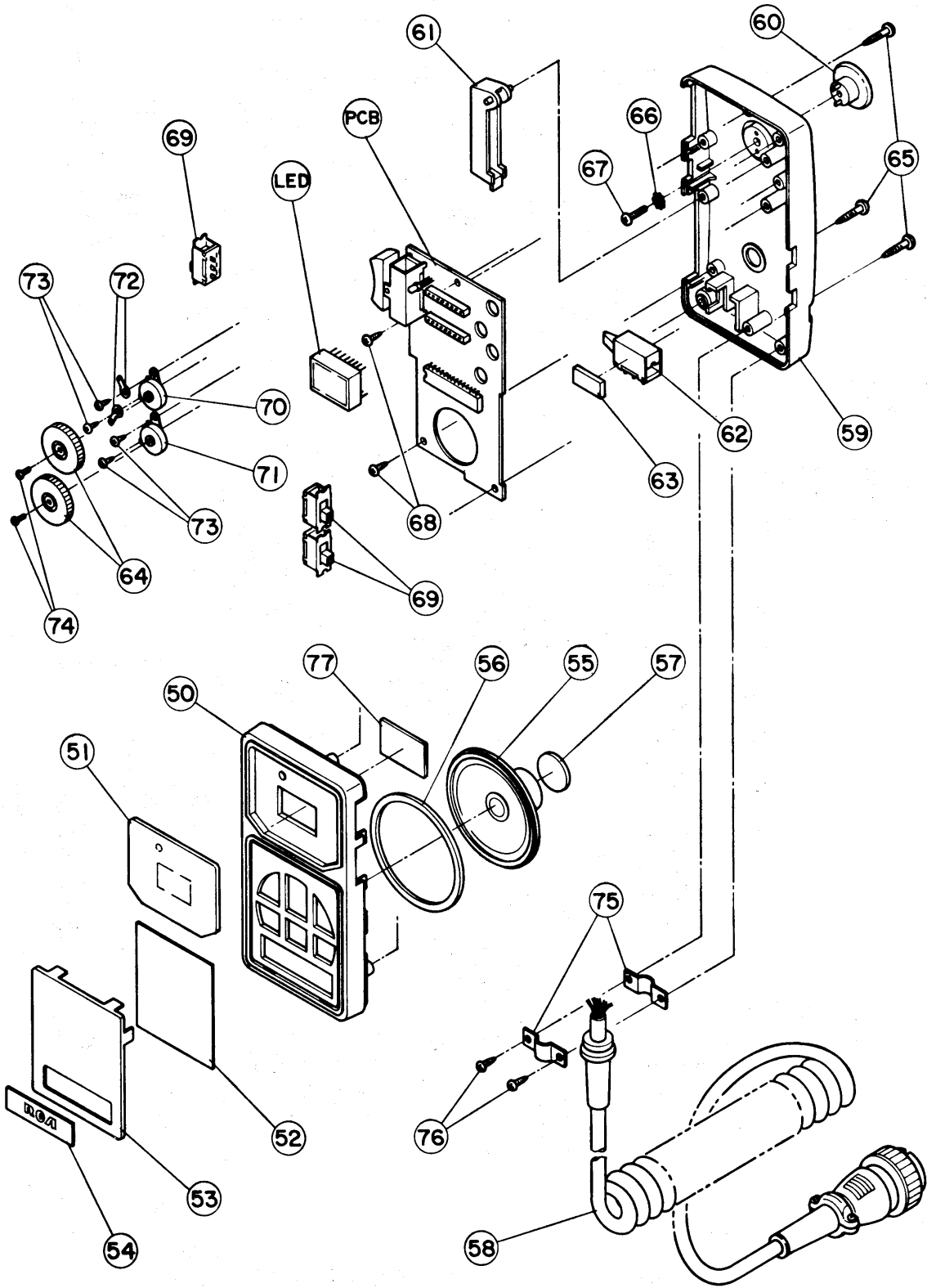


Figure 10 – Exploded View – Microphone/Speaker Assembly

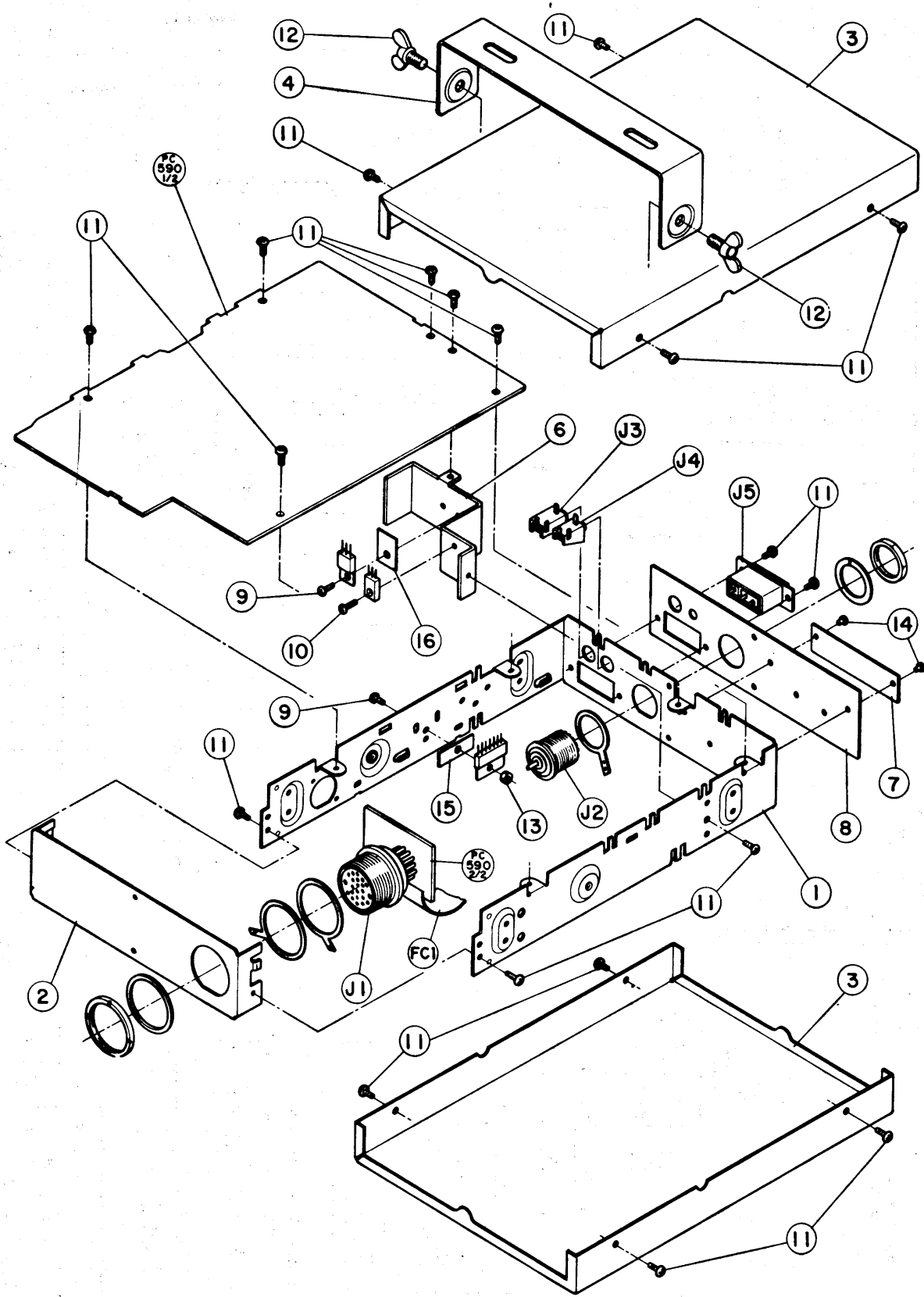
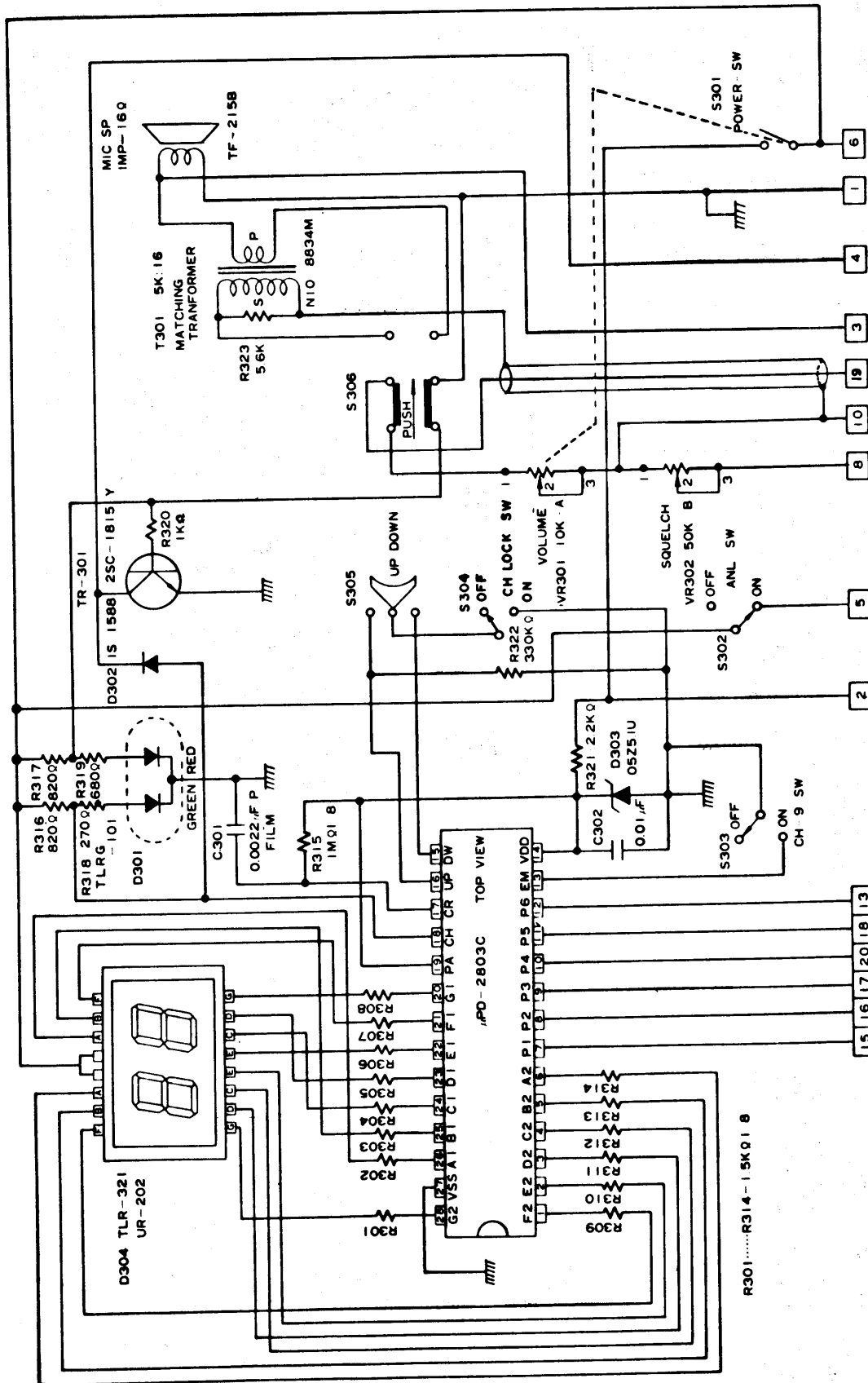


Figure 11 – Exploded View – Main Chassis Assembly



PIN NUMBER	WIRE COLOR
1	BLACK
2	RED BLACK
3	PURPLE
4	BLUE
5	PINK
6	GRAY
7	YELLOW BLACK
8	WHITE BLACK
9	
10	
11	
12	
13	GREEN
14	SHIELDED
15	BLUE BLACK
16	BROWN
17	RED
18	YELLOW
19	WHITE
20	ORANGE

Figure 12 — Schematic Diagram — Microphone/Speaker Assembly

SYMB. NO.	STOCK NO.	DESCRIPTION	SYMB. NO.	STOCK NO.	DESCRIPTION
		14T276 CITIZENS BAND TRANSCEIVER			
		CAPACITORS			
C1	423291	68PF 50V Ceramic	C57	249943	0.01UF 50V Ceramic
C2	111839	56PF 50V Ceramic	C58	432847	0.039UF 25V Ceramic
C3	146764	330PF 50V Ceramic	C59	442260	0.047UF 25V Ceramic
C4	146764	330PF 50V Ceramic	C60	740924	330UF 10V Elect.
C5	740987	22PF 50V Ceramic	C61	437367	220PF 50V Ceramic
C6	421641	0.001UF 50V Ceramic	C62	743886	47PF 50V Ceramic
C7	421641	0.001UF 50V Ceramic	C63	442299	560PF 50V Ceramic
C8	249943	0.01UF 50V Ceramic	C64	743889	180PF 50V Ceramic
C9	249943	0.01UF 50V Ceramic	C65	437380	12PF 50V Ceramic
C10	249943	0.01UF 50V Ceramic	C66	443258	47UF 16V Elect.
C11	435877	4.7UF 25V Elect.	C67	432847	0.039UF 25V Ceramic
C12	421641	0.001UF 50V Ceramic	C68	146439	0.47UF 50V Elect.
C13	421641	0.001UF 50V Ceramic	C69	437356	2.2UF 25V Elect.
C14	249943	0.01UF 50V Ceramic	C70	437356	2.2UF 25V Elect.
C15	437364	0.039UF 50V Film	C71	129298	10UF 16V Elect.
C16	432847	0.039UF 25V Ceramic	C72	740961	5.0PF 50V Ceramic
C17	445205	1.0PF 50V Ceramic	C73	423283	100PF 50V Ceramic
C18	437364	0.039UF 50V Film	C74	249943	0.01UF 50V Ceramic
C19	442260	0.047UF 25V Ceramic	C75	743888	47PF 50V Ceramic
C20	129298	10UF 16V Elect.	C76	249943	0.01UF 50V Ceramic
C21	435877	4.7UF 25V Elect.	C77	437367	220PF 50V Ceramic
C22	437364	0.039UF 50V Film	C78	249943	0.01UF 50V Ceramic
C24	435877	4.7UF 25V Elect.	C79	743888	47PF 50V Ceramic
C26	427797	390PF 50V Ceramic	C80	437367	220PF 50V Ceramic
C27	442311	0.001UF 50V Film	C81	423291	68PF 50V Ceramic
C28	229499	0.022UF 50V Film	C82	249943	0.01UF 50V Ceramic
C29	418382	1.0UF 50V Elect.	C83	425332	270PF 50V Ceramic
C30	442325	0.0047UF 50V Film	C84	437390	27PF 50V Ceramic
C31	437364	0.039UF 50V Film	C85	423291	68PF 50V Ceramic
C32	129298	10UF 16V Elect.	C86	437365	0.068UF 50V Film
C33	435877	4.7UF 25V Elect.	C87	740838	39PF 50V Ceramic
C34	418382	1.0UF 50V Elect.	C88	437380	12PF 50V Ceramic
C35	146764	330PF 50V Ceramic	C89	743887	33PF 50V Ceramic
C36	418383	100UF 6.3V Elect.	C91	249943	0.01UF 50V Ceramic
C37	421641	0.001UF 50V Ceramic	C92	249943	0.01UF 50V Ceramic
C38	146764	330PF 50V Ceramic	C93	421641	0.001UF 50V Ceramic
C39	442299	560PF 50V Ceramic	C94	249943	0.01UF 50V Ceramic
C40	429696	0.01UF 50V Film	C95	421641	0.001UF 50V Ceramic
C41	442337	0.047UF 50V Film	C96	249943	0.01UF 50V Ceramic
C42	123876	0.015UF 50V Film	C97	249943	0.01UF 50V Ceramic
C43	442299	560PF 50V Ceramic	C98	146764	330PF 50V Ceramic
C44	435877	4.7UF 25V Elect.	C99	423283	100PF 50V Ceramic
C45	442272	100UF 10V Elect.	C100	249943	0.01UF 50V Ceramic
C47	740840	47UF 10V Elect.	C101	437367	220PF 50V Ceramic
C48	442311	0.001UF 50V Film	C102	249943	0.01UF 50V Ceramic
C49	437379	0.1UF 50V Film	C103	249943	0.01UF 50V Ceramic
C50	432847	0.039UF 25V Ceramic	C104	432847	0.039UF 25V Ceramic
C51	740925	470UF 16V Elect.	C105	111839	56PF 50V Ceramic
C52	740844	1000UF 16V Elect.	C106	421641	0.001UF 50V Ceramic
C53	146439	0.47UF 50V Elect.	C107	421641	0.001UF 50V Ceramic
C54	740653	220UF 10V Elect.	C108	146439	0.47UF 50V Elect.
C56	421641	0.001UF 50V Ceramic	C110	432847	0.039UF 25V Ceramic
			C111	421641	0.001UF 50V Ceramic
			C112	421641	0.001UF 50V Ceramic
			C115	249943	0.01UF 50V Ceramic
			C116	249943	0.01UF 50V Ceramic
			C117	249943	0.01UF 50V Ceramic
			C118	432847	0.039UF 25V Ceramic

SYMB. NO.	STOCK NO.	DESCRIPTION	SYMB. NO.	STOCK NO.	DESCRIPTION
C119	432847	0.039UF 25V Ceramic	L18	743880	COIL
C120	432847	0.039UF 25V Ceramic	L19	743881	COIL
C121	435875	10UF 25V Elect.	L20	743878	COIL
C122	249943	0.01UF 50V Ceramic			
C123	249943	0.01UF 50V Ceramic			
C124	432847	0.039UF 25V Ceramic			
C125	443258	47UF 16V Elect.			
C201					
TO					
C214	249943	0.01UF 50V Ceramic			
CF1	743864	FILTER - Ceramic	R1	428612	1000 Ohm 5% 1/8W Carbon
CF2	743865	FILTER - Ceramic	R2	430554	3900 Ohm 5% 1/8W Carbon
			R3	428612	1000 Ohm 5% 1/8W Carbon
D1			R4	433122	220 Ohm 5% 1/8W Carbon
TO			R5	427816	33000 Ohm 5% 1/8W Carbon
D9	445276	DIODE - Type 1S2075K	R6	433263	68000 Ohm 5% 1/8W Carbon
D10	743859	DIODE - Type RD9.1EB1	R7	425266	3300 Ohm 5% 1/8W Comp
D11			R8	425266	3300 Ohm 5% 1/8W Carbon
TO			R9	427815	1500 Ohm 5% 1/8W Film
D15	445276	DIODE - Type 1S2075K	R10	433122	220 Ohm 5% 1/8W Carbon
D16	743858	DIODE - Type RD5.1EB2	R11	429828	10000 Ohm 5% 1/8W Carbon
D17	445276	DIODE - Type 1S2075K	R12	429828	10000 Ohm 5% 1/8W Carbon
D19	445276	DIODE - Type 1S2075K	R13	428612	1000 Ohm 5% 1/8W Carbon
D20	445276	DIODE - Type 1S2075K	R14	429824	2200 Ohm 5% 1/8W Carbon
D21	743860	DIODE - Type 1S2688EA	R15	428612	1000 Ohm 5% 1/8W Carbon
D22	445276	DIODE - Type 1S2075K	R16	429824	2200 Ohm 5% 1/8W Carbon
D23	445276	DIODE - Type 1S2075K	R17	428612	1000 Ohm 5% 1/8W Carbon
D24	445276	DIODE - Type 1S2075K	R18	428612	1000 Ohm 5% 1/8W Carbon
F1	743895	FUSE - 2 Amp	R19	428612	1000 Ohm 5% 1/8W Carbon
IC1	743853	I.C. - Type UPD2814C	R20	433122	220 Ohm 5% 1/8W Carbon
IC2	742510	I.C. - Type TA7310P	R21	425261	15000 Ohm 5% 1/8W Carbon
IC3	743854	I.C. - Type MB3712	R22	429824	2200 Ohm 5% 1/8W Carbon
J1	743891	JACK - Mike Control	R23	433122	220 Ohm 5% 1/8W Carbon
J2	743890	JACK - Antenna	R24	741844	56 Ohm 5% 1/8W Film
J3	743892	JACK - External Speaker	R25	427816	33000 Ohm 5% 1/8W Carbon
J4	743893	JACK - Relay Control	R26	429830	22000 Ohm 5% 1/8W Carbon
J5	743894	JACK - DC Input	R27	427816	33000 Ohm 5% 1/8W Carbon
L1	743867	COIL	R28	429831	27000 Ohm 5% 1/8W Carbon
L2	743869	COIL	R29	423244	270000 Ohm 5% 1/8W Carbon
L3	743871	COIL	R30	433263	68000 Ohm 5% 1/8W Film
L4	743871	COIL	R31	429826	4700 Ohm 5% 1/8W Carbon
L6	743874	COIL	R32	429826	4700 Ohm 5% 1/8W Carbon
L7	743876	COIL	R33	429833	56000 Ohm 5% 1/8W Carbon
L8	743877	COIL	R34	429833	56000 Ohm 5% 1/8W Carbon
L9	743882	COIL	R35	429834	100000 Ohm 5% 1/8W Carbon
L10	743870	COIL	R36	429833	56000 Ohm 5% 1/8W Carbon
L11	743873	COIL	R37	429833	56000 Ohm 5% 1/8W Carbon
L12	743872	COIL	R38	429830	22000 Ohm 5% 1/8W Film
L13	743868	COIL	R39	429834	100000 Ohm 5% 1/8W Carbon
L14	743875	COIL	R40	429828	10000 Ohm 5% 1/8W Film
L15	743878	COIL	R41	429826	4700 Ohm 5% 1/8W Carbon
L16	743879	COIL	R42	428612	1000 Ohm 5% 1/8W Film
L17	743878	COIL	R43	429826	4700 Ohm 5% 1/8W Film
			R44	429826	4700 Ohm 5% 1/8W Carbon
			R45	429826	4700 Ohm 5% 1/8W Carbon
			R46	430554	3900 Ohm 5% 1/8W Carbon
			R47	429822	820 Ohm 5% 1/8W Carbon
			R48	433323	82000 Ohm 5% 1/8W Carbon
			R49	422021	6800 Ohm 5% 1/8W Carbon
			R54	429824	2200 Ohm 5% 1/8W Carbon
			R50	428612	1000 Ohm 5% 1/8W Film
			R51	429828	10000 Ohm 5% 1/8W Carbon
			R52	425261	15000 Ohm 5% 1/8W Carbon

SYMB. NO.	STOCK NO.	DESCRIPTION	SYMB. NO.	STOCK NO.	DESCRIPTION
R53	429828	10000 Ohm 5% 1/8W Carbon	T1	743883	TRANSFORMER - AF Choke
R56	428612	1000 Ohm 5% 1/8W Carbon	T2	743884	TRANSFORMER - Output
R57	428612	1000 Ohm 5% 1/8W Carbon	TR1	742710	TRANSISTOR - Type 2SC763-C
R58	740809	56 Ohm 5% 1W Film	TR2	743855	TRANSISTOR - Type 2SK19-BL
R60	502010	10 Ohm 5% 1/2W Film	TR3	741726	TRANSISTOR - Type 2SC710-D
R61	429827	8200 Ohm 5% 1/8W Film	TR4	741726	TRANSISTOR - Type 2SC710-D
R62	429828	10000 Ohm 5% 1/8W Carbon	TR5	741726	TRANSISTOR - Type 2SC710-D
R63	428612	1000 Ohm 5% 1/8W Carbon	TR6	741726	TRANSISTOR - Type 2SC710-D
R64	429833	56000 Ohm 5% 1/8W Carbon	TR7	171554	TRANSISTOR - Type 2SC711-D
R66	429815	22 Ohm 5% 1/8W Film	TR8	171554	TRANSISTOR - Type 2SC711-D
R67	443463	150 Ohm 5% 1/8W Carbon	TR9	171554	TRANSISTOR - Type 2SC711-D
R68	246910	100 Ohm 5% 1/8W Carbon	TR10	171554	TRANSISTOR - Type 2SC711-D
R69	433323	82000 Ohm 5% 1/8W Carbon	TR11	443333	TRANSISTOR - Type 2SD355-D
R70	429825	2700 Ohm 5% 1/8W Comp	TR12	171554	TRANSISTOR - Type 2SC711-D
R71	425261	15000 Ohm 5% 1/8W Carbon	TR13	171554	TRANSISTOR - Type 2SC711-D
R72	429828	10000 Ohm 5% 1/8W Carbon	TR14	171554	TRANSISTOR - Type 2SC711-D
R73	429825	2700 Ohm 5% 1/8W Carbon	TR16	171555	TRANSISTOR - Type 2SA628-F
R74	422021	6800 Ohm 5% 1/8W Carbon	TR17	171554	TRANSISTOR - Type 2SC711-D
R75	431026	1200 Ohm 5% 1/8W Carbon	TR18	741726	TRANSISTOR - Type 2SC710-D
R76	433122	220 Ohm 5% 1/8W Carbon	TR19	741726	TRANSISTOR - Type 2SC710-D
R77	429828	10000 Ohm 5% 1/8W Film	TR20	741726	TRANSISTOR - Type 2SC710-D
R78	429828	10000 Ohm 5% 1/8W Film	TR21	741726	TRANSISTOR - Type 2SC710-D
R79	429824	2200 Ohm 5% 1/8W Carbon	TR22	741726	TRANSISTOR - Type 2SC710-D
R80	429833	56000 Ohm 5% 1/8W Carbon	TR23	171555	TRANSISTOR - Type 2SA628-F
R81	246910	100 Ohm 5% 1/8W Carbon	TR24	741726	TRANSISTOR - Type 2SC710-D
R82	428612	1000 Ohm 5% 1/8W Comp	TR25	743856	TRANSISTOR - Type 2SC2028 B/20
R83	429828	10000 Ohm 5% 1/8W Carbon	TR26	743857	TRANSISTOR - Type 2SC2029 B/10
R84	429832	39000 Ohm 5% 1/8W Carbon			RESISTOR
R85	428612	1000 Ohm 5% 1/8W Carbon	VR1	743861	500 Ohm Variable
R86	429834	100000 Ohm 5% 1/8W Carbon	VR2	743862	1000 Ohm Variable
R87	429816	120 Ohm 5% 1/8W Film	VR3	743863	100000 Ohm Variable
R90	433123	560 Ohm 5% 1/8W Carbon	X1	743896	CRYSTAL - 10.24 MHZ
R91	428612	1000 Ohm 5% 1/8W Carbon	4	743897	BRACKET - Mounting
R92	429826	4700 Ohm 5% 1/8W Carbon	9	743899	SCREW - Pan HD Plastic (5/Pkg)
R93	440613	330 Ohm 5% 1/8W Carbon	10	743900	SCREW - Pan HD Plastic (5/Pkg)
R94	443463	150 Ohm 5% 1/8W Carbon	11	743901	SCREW - Binder HD (5/Pkg)
R95	429815	22 Ohm 5% 1/8W Film	12	743902	BOLT - Wing (2/Pkg)
R97	429819	390 Ohm 5% 1/8W Carbon	13	743903	NUT - Hex (5/Pkg)
R98	430554	3900 Ohm 5% 1/8W Carbon			CABLE - DC Power
R99	741844	56 Ohm 5% 1/8W Film			HOLDER - Microphone
R101	427815	1500 Ohm 5% 1/8W Carbon			CAPACITORS
R102	425255	47 Ohm 5% 1/8W Film	C301	437375	0.0022 UF 10% 50V Film
R103	429815	22 Ohm 5% 1/8W Film	C302	249943	0.01 UF 10% 100V Cer
R104	425255	47 Ohm 5% 1/8W Film	D301	744593	DIODE - L.E.D. Type TLRG101
R105	743885	1.0 Ohm 5% 1/8W Film	D302	741051	DIODE - Type 1S1588
R106	502215	1500 Ohm 5% 1/2W Film	D303	744594	DIODE - Type 0.5Z5.1U
R107	740930	22 Ohm 5% 1W Film	D304	744594	DISPLAY - Channel L.E.D. Type UR202
R108	429826	4700 Ohm 5% 1/8W Comp	IC301	744596	I.C. - Type KS-2056-808
R109	428612	1000 Ohm 5% 1/8W Carbon	J301		CONNECTOR - 20 Pin (Part of IT No. 58)
R110	429828	10000 Ohm 5% 1/8W Carbon			
R111	246910	100 Ohm 5% 1/8W Carbon			
R112	429826	4700 Ohm 5% 1/8W Film			
R113	427816	33000 Ohm 5% 1/8W Carbon			
R114	429831	27000 Ohm 5% 1/8W Carbon			
R115	43315	1800 Ohm 5% 1/8W Carbon			
RY1	743866	RELAY - Power XMIT/Recv.			
RY2	743866	RELAY - Audio XMIT/Recv.			

SYMB. NO.	STOCK NO.	DESCRIPTION	SYMB. NO.	STOCK NO.	DESCRIPTION
R301		RESISTORS	VR302	744588	CONTROL – 50000 Ohm Variable Squelch (Same as IT No. 71)
TO					
R314	427815	1500 Ohm 5% 1/8W Film	XIC301	744599	SOCKET – I.C. (For IC301)
R315	433342	1000000 Ohm 5% 1/8W Film			
R316	429822	820 Ohm 5% 1/8W Film	50	744575	COVER – Front (Incls Items No. 51,52)
R317	429822	820 Ohm 5% 1/8W Film	55	744576	SPEAKER – (Includes Items No. 56,57)
R318	741883	270 Ohm 5% 1/8W Film	58	744577	CABLE – Microphone (Includes J301)
R319	429821	270 Ohm 5% 1/8W Film	59	744578	COVER – Back
R320	428612	1000 Ohm 5% 1/8W Film	60	744579	HANGER – Knob
R321	429824	2200 Ohm 5% 1/8W Film	61	744580	KNOB – Push to Talk
R322	436537	330000 Ohm 5% 1/8W Film	62	744581	SWITCH – Push (Same as S306)
R323	422020	5600 Ohm 5% 1/8W Film	64	744582	KNOB – Volume/Squelch On/Off
S301		SWITCH – On/Off (Part of VR301)	65	744583	SCREW – 3.1X16MM (5/Pkg)
S302	744586	SWITCH – Slide On/Off Anl (Same)	67	744584	SCREW – M3X8MM (5/Pkg)
S303	744586	SWITCH – Slide On/Off Ch 9 As Item	68	744585	SCREW – M2.6X6MM (5/Pkg)
S304	744586	SWITCH – Slide On/Off Ch Lock No. 69)	69	744586	SWITCH – Slide (Same as S302, S303, S304)
S305	744597	SWITCH – Channel Up/Down	70	744587	RESISTOR – 10000 Ohm Variable Incls S301 (Same as VR301)
S306	744581	SWITCH – Push to Talk (Same as No. 62)	71	744588	RESISTOR – 50000 Ohm Variable (Same as VR302)
T301	744598	TRANSFORMER – Matching	73	744589	SCREW – M2X6MM (5/Pkg)
TR301	147499	TRANSISTOR – Type 2SC1815Y	74	744590	SCREW – M1.7X4MM (5/Pkg)
VR301	744587	CONTROL Ohm Variable Volume (Incl S301 Same as IT No. 70)	75	744591	RETAINER – Mike Cable (5/Pkg)
			76	744592	SCREW – M2.6X10MM (5/Pkg)