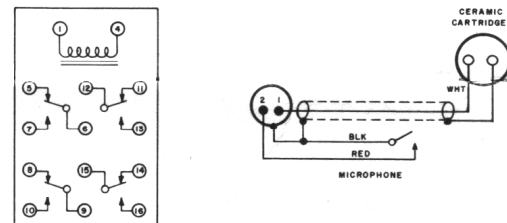
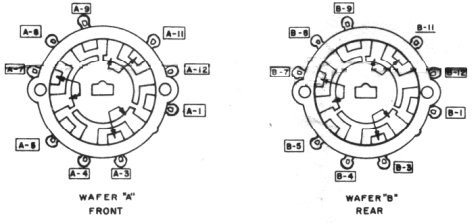
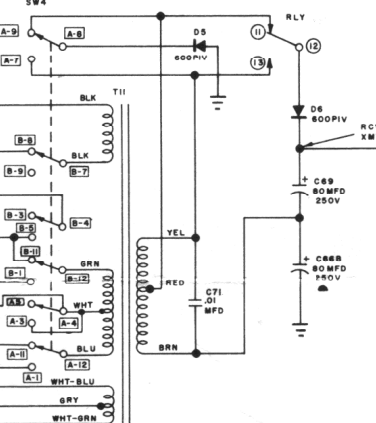
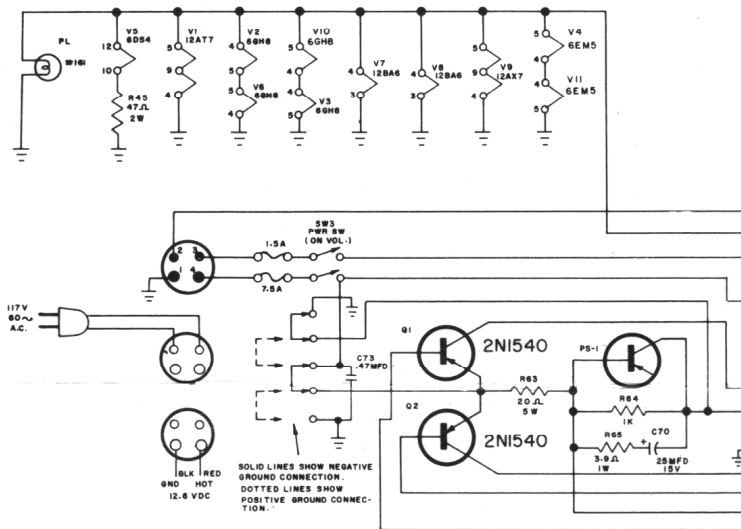


XTAL	CHANNEL
33.000 MC	1-2-3-4
33.050 MC	5-6-7-8
33.100 MC	9-10-11-12
33.150 MC	13-14-15-16
33.200 MC	17-18-19-20
33.250 MC	21-22-23

XTAL	CHANNEL
6.025	1-5-9-13-17-21
6.025	2-6-10-14-18-22
6.015	3-7-11-15-19
5.995	4-8-12-16-20-23

XTAL	CHANNEL
6.480	1-5-9-13-17-21
6.480	2-6-10-14-18-22
6.470	3-7-11-15-19
6.450	4-8-12-16-20-23



NOTE  
PEARCE-SIMPSON INC.  
RESERVES THE RIGHT TO  
CHANGE THIS SCHEMATIC  
WITHOUT NOTICE

**GUARDIAN 23**

117V AC-12VDC POWER SW (SW4)  
VIEWED FROM SHAFT END

RELAY SOCKET  
(BOTTOM VIEW)