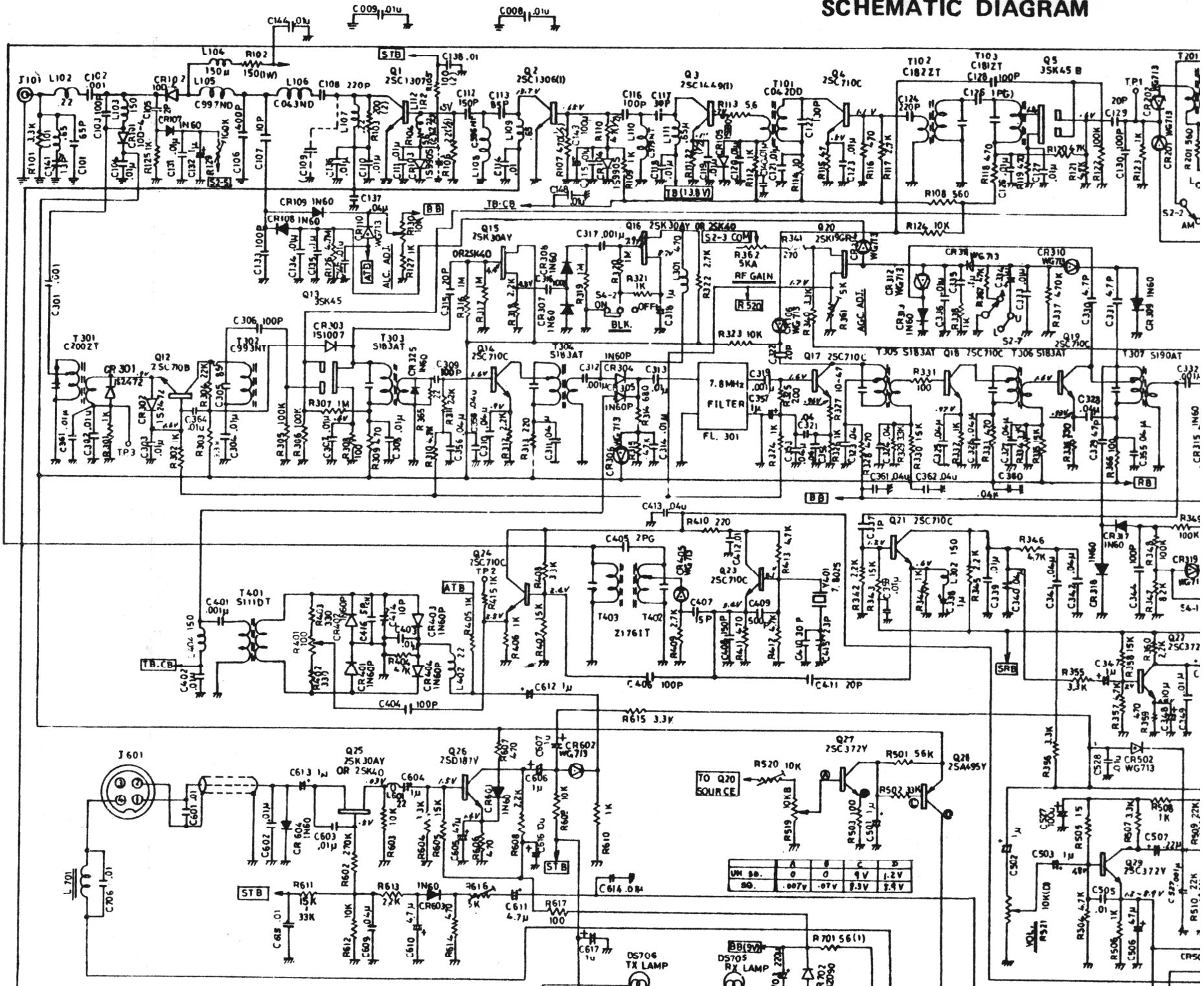


# SCHEMATIC DIAGRAM



UN. NO.	A	B	C	D
NO.	0	0	9V	1.2V
	0.007V	0.7V	9.3V	9.9V