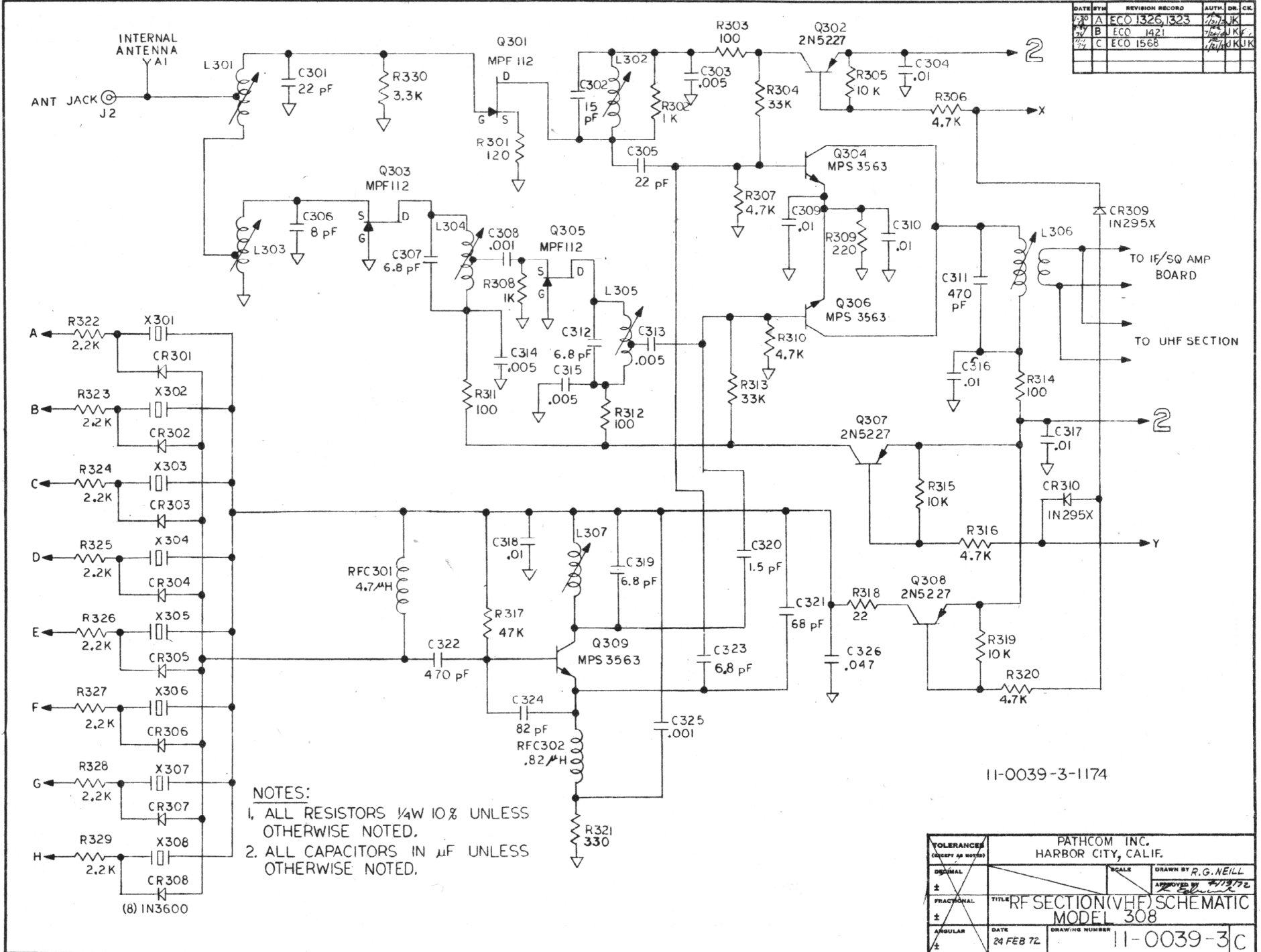


DATE	SYM	REVISION RECORD	AUTH.	DR. CK.
7/30	A	ECO 1326, 1323		
7/27	B	ECO 1421		
7/24	C	ECO 1568		



**NOTES:**  
 1. ALL RESISTORS 1/4W 10% UNLESS OTHERWISE NOTED.  
 2. ALL CAPACITORS IN  $\mu$ F UNLESS OTHERWISE NOTED.

TOLERANCES (EXCEPT AS NOTED)		PATHCOM INC. HARBOR CITY, CALIF.	
DECIMAL	±	SCALE	DRAWN BY R.G. NEILL
FRACTIONAL	±	TITLE	APPROVED BY <i>[Signature]</i> 7/23/72
ANGULAR	±	DATE	DRAWING NUMBER
		24 FEB 72	11-0039-3C

Figure 6-7. VHF/RF Circuit for SCAN 308