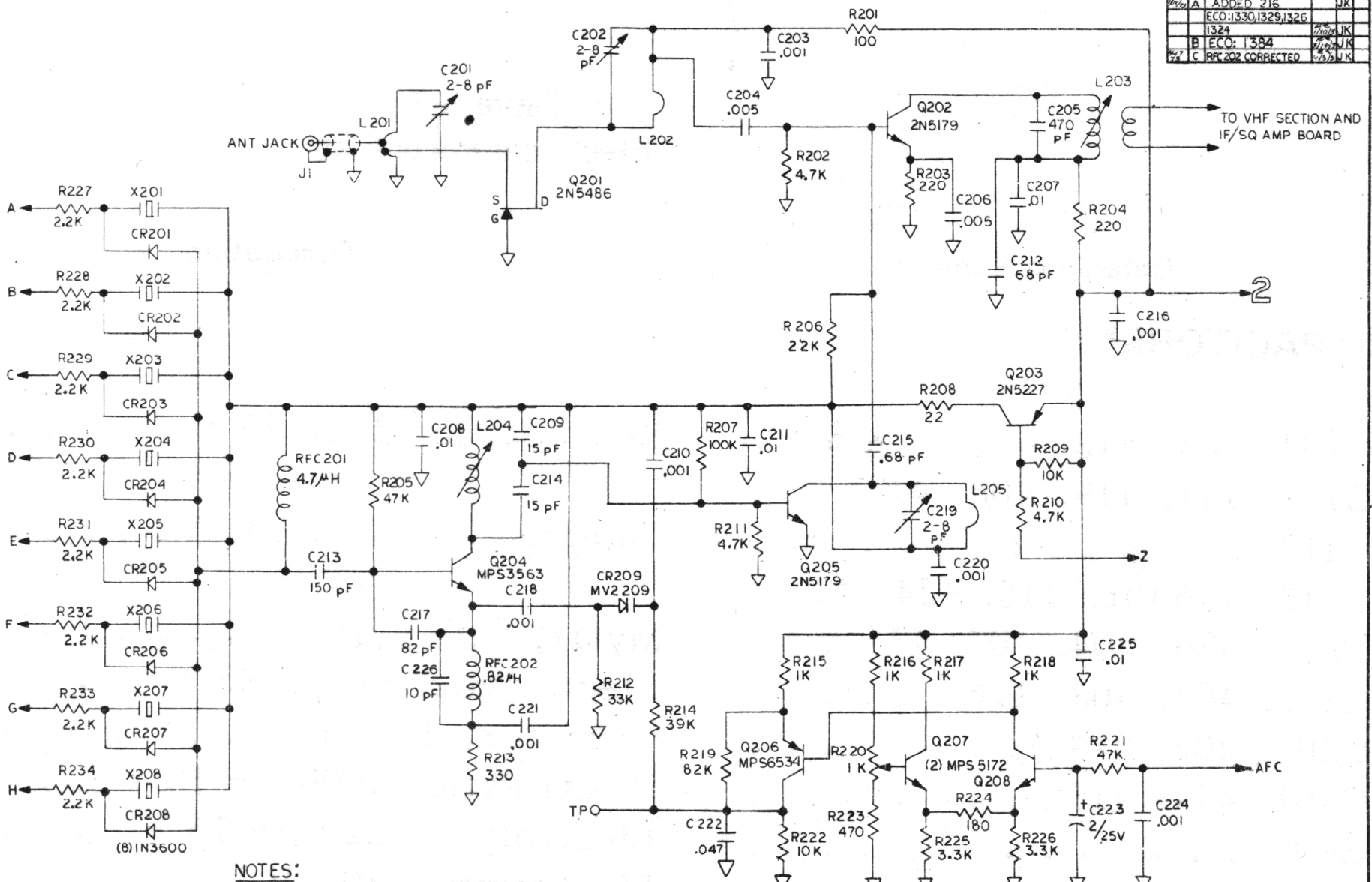


DATE	BY	REVISION	RECORD	AUTH.	DR.	CL.
1/22/72	A	ADDED 216				JK
		ECO:1330,1329,1326				
		1324				JK
	B	ECO: 1354				JK
	C	RF:202 CORRECTED				JK



NOTES:
 1. ALL RESISTORS 1/4W 10% UNLESS OTHERWISE NOTED.
 2. ALL CAPACITORS IN μ F UNLESS OTHERWISE NOTED.

11-0039-2-1174

TOLERANCES EXCEPT AS NOTED		PATHCOM INC. HARBOR CITY CALIF.	
GENERAL	SCALE	DRAWN BY R.G. NEILL	
±		APPROVED BY [Signature]	
FRACTIONAL	TITLE	RF SECTION (UHF) SCHEMATIC	
±		MODEL 308,216	
ANGULAR	DATE	DRAWING NUMBER	
±	24 FEB 72	11-0039-2/c	

Figure 6-12. UHF/RF Circuit for SCAN 308 and 216