

Pony[®]

With "S" - Meter

C.B. TRANSCEIVER

MODEL CB-72A



KANDA TSUSHIN KOGYO CO.,LTD.

13-5, OSAKI 3-CHOME, SHINAGAWA-KU,
TOKYO 141, JAPAN

TEL: 492-6151 CABLE: «PONYKAN» TOKYO

TELEX: J26414

INSTRUCTION MANUAL

GENERAL INSTRUCTIONS

This miniature Citizens Band Transceiver is a compact size, and high performance two-way communication instrument which designed to operate on any of the six channels of the 27 MHz band.

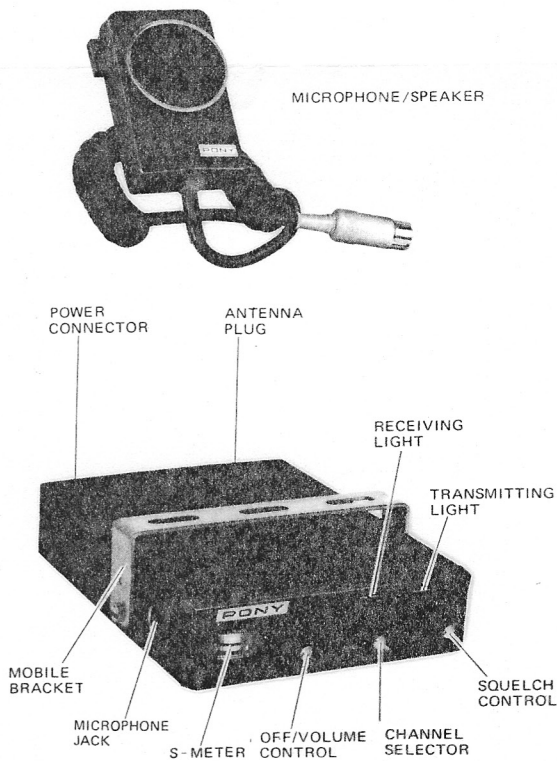
Model CB72A is small enough to install at under the dash board or any other handy location in a vehicle where the bracket can be attached. Your transceiver has been completely tested and carefully tuned at the factory, therefore, no re-alignment is necessary when used a standard 50 ohms CB antenna.

IMPORTANT

The purchaser may require to make an application for an operating license to the Telecommunication Department in accordance with rules and regulations governing the use of this equipment.

In Case in U.S.A.

Under the F.C.C. Regulations, Part 95, Class D, a license is required to operate a transceiver. If you have no license, fill out a license application (FCC Form 505), and mail it to the Federal Communications Commission, Washington, D.C., It is absolutely illegal to operate a transceiver, unless receive a license from the F.C.C.....



ANTENNA INSTALLATION

Base Station and Mobile Use

For maximum range and reliable operation, the antenna should be as high as possible: We recommend a colinear antenna or ground plain type for best results of nondirectional use and citizens band beam antenna for directional purposes. The mobile antenna must be requires nondirectional type, such as full quarter wave or vertical whip standard 102 inch length, its usual location on the left rear fender of the vehicle.

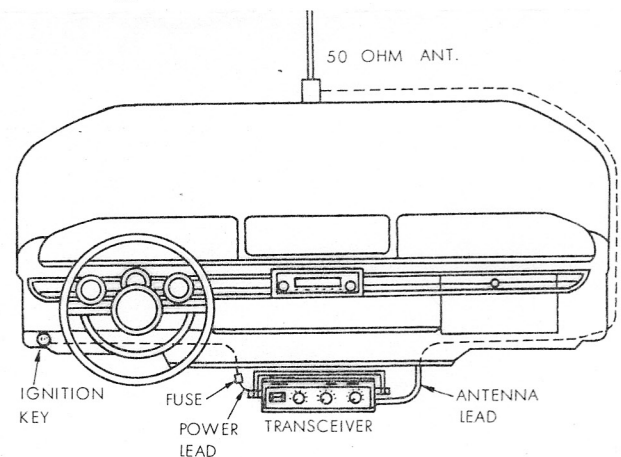
MOBILE INSTALLATION

The power lead of your transceiver is designed for use in a vehicle with a NEGATIVE ground.

By connecting the red power lead (fused) to the vehicle's ignition switch or radio power lead, the unit will operate only when the ignition is turned-on. This unit is supplied with a mounting bracket and mounting hardware which necessary for installation. The bracket has several mounting holes for installation in a desirable position.

Connect the antenna cable to the back of the unit, use a plug of type PL259. The antenna cable should be use low loss cable as a type RG-58/A-U.

CAUTION: Do not operate the unit without the antenna cable connected. Otherwise the transmitter may be damaged.



MICROPHONE/SPEAKER

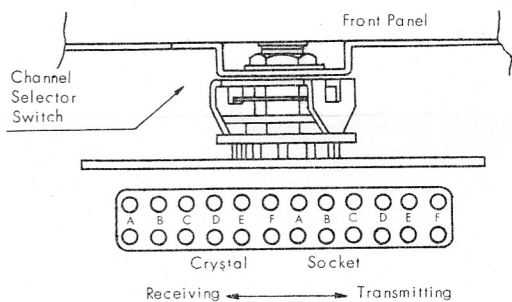
In a small package, a microphone mounting bracket and mounting hardware are supplied. This bracket is used secure the Mic/Speaker at any convenient location. The microphone/speaker has a "PRESS-TO-TALK" button for easy to operate when you on a driving.

CRYSTAL INSTALLATION

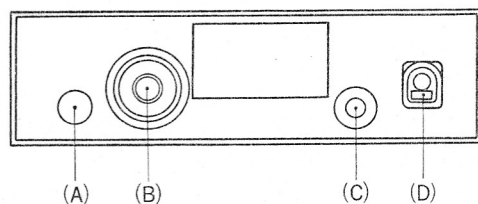
1. Remove the unit from its mount, disconnect the power lead and antenna cable at the rear of the unit.
2. Remove four screws of the side of the bottom cabinet. Carefully disassembled the cabinet.
3. The crystal socket are marked as A. B. C. D. E. & F.. Also indicated as "RX" (Receiving crystals) and "TX" (Transmitting crystals)..
(See Figure below)
4. Be careful when installing additional crystals, using too much pressure may collapse the crystal case and ruin the crystal element contained therein.
5. When all adjustments are made, re-install the chassis in the cabinet and tightening the cabinet screws. Connect the antenna wire and power lead in the same manner as previously connected. Now the unit is ready for operation. Remember to avoid operating the unit on channel position which have no crystals inserted.

Note: Frequency of the receiving crystals are lower frequency of the transmitting channels.

Example: Tx: 27.065 MHz
Rx: 26,610 MHz



REAR PANEL OPERATION



(A) TVI (TV INTERFERENCE):

A trap coil is provided to avoid interference with TV receiver.

(B) ANTENNA CONNECTOR: Connect a 50-52 ohm CB Antenna.

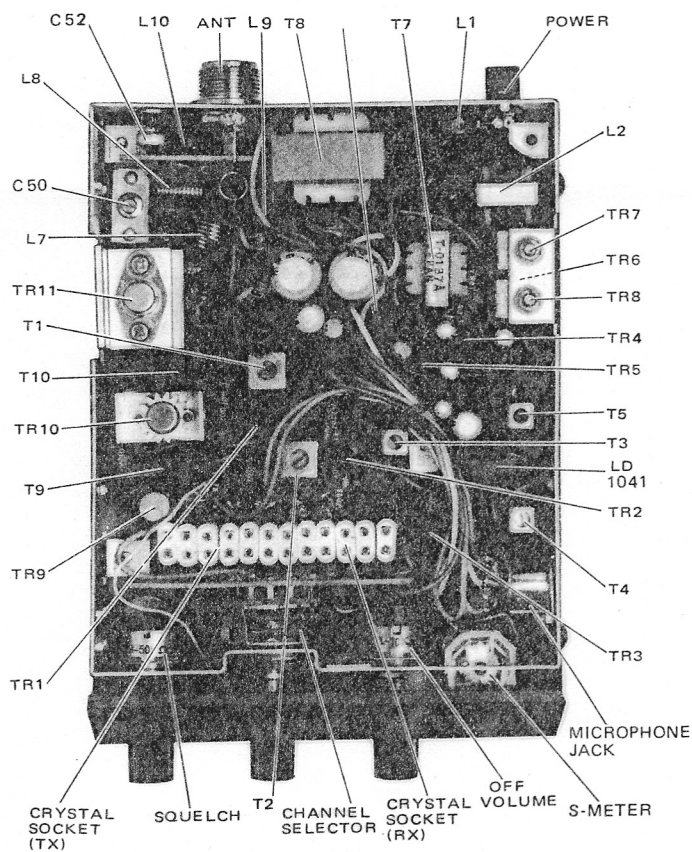
(C) MICROPHONE/SPEAKER CABLE

(D) POWER PLUG: 12-14V DC may be used.

OPERATING INSTRUCTIONS

1. By turning OFF-VOLUME control clockwise, the unit is "ON" and receiving light is glows. Adjust the control to comfortable level.
2. Adjust the SQUELCH control to eliminate background noise when a station is being receiving. If the SQUELCH control to turned excessively clockwise, it may reduce sensitivity of the receiver, resulting in missing weak signals.
3. To transmit by depressing the "PUSH-TO-TALK" button of the Mic/Speaker, the transmitting light is glows as shown "On-the-Air". While holding the Mic/Speaker approximately 3 to 4 inches from your lips, use normal speaking voice. Release the "PUSH-TO-TALK" button of the Mic/Speaker to receive.
4. The CHANNEL selector switch is used to select any desired in one of six installed transmitter-receiver crystals.
5. S-METER indicates a receiving signal strength.

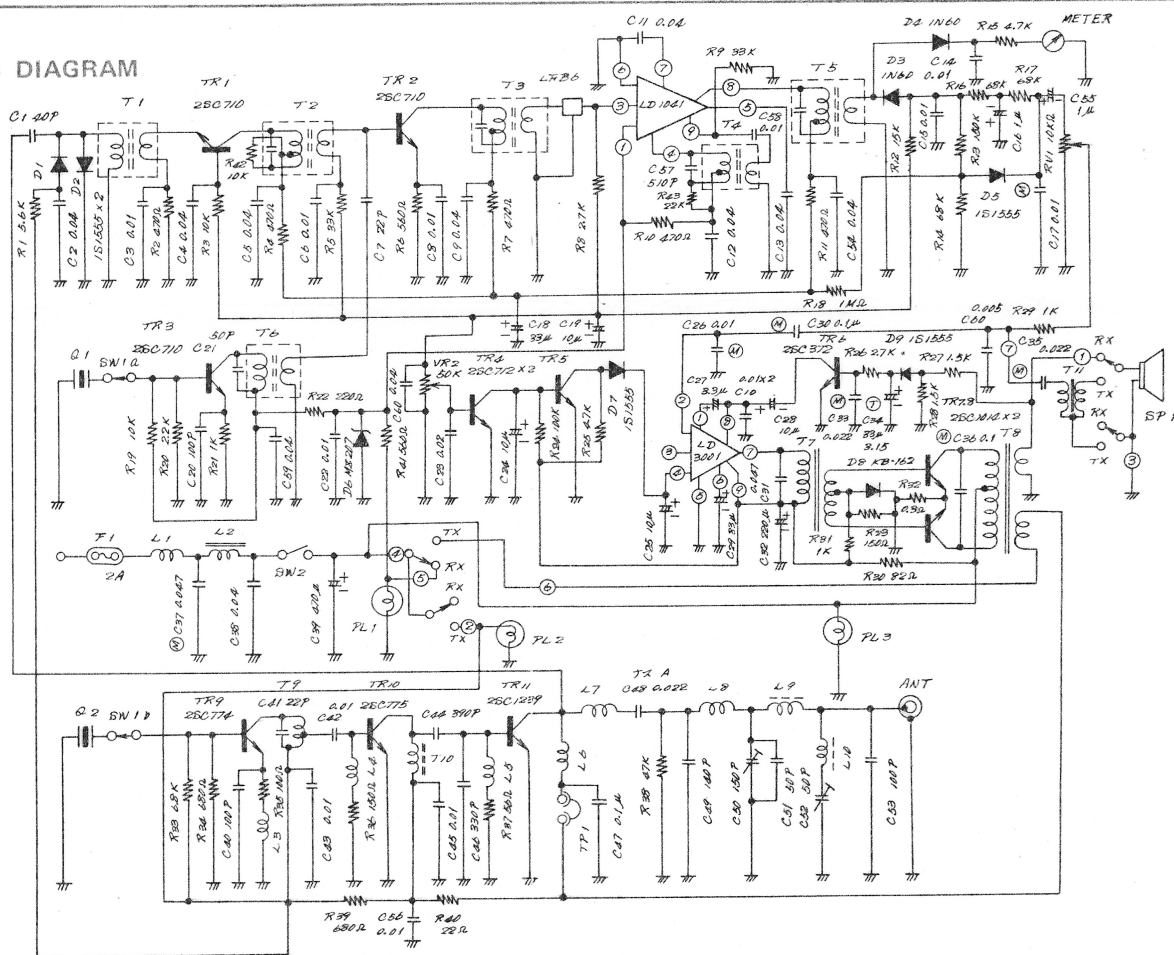
(ONE CHANNEL CRYSTAL FACTORY INSTALLED IN POSITION "A" CHANNEL.)



SPECIFICATIONS

Semiconductors	: 2-IC, 11 transistors, 7 diodes	Squelch Sensitivity	: 1 μ V
Transmitter System	: Triple stage, crystal controlled, collector modulation AM.	Audio Output Power	: 0.5 watts in 10% distortion
Frequency	: 6 channels on 27 MHz.	Power Source	: 12.6 to 13.6 volts D.C. Negative ground
Frequency Tolerance	: Within 0.005% (-10°C to 50°C)	Power Consumption (Tx)	: 0.9 A at no modulation (12.6V) 1.4 A at maximum (12.6V)
Transmitter Power	: Final input not to exceed 5 watts	Power Consumption (Rx)	: 0.2A at no signal (12.6V)
Spurious Suppression	: Better than 50 dB (Against fundamental)	Microphone/Speaker	: 2 inch dynamic type with press-to-talk switch.
Band Width	: Not to exceed 8 KHz.	Size	: 4-3/4" W x 1-3/8" H x 6-1/2" D (120 m/m W x 35 m/m H x 165 m/m D)
Antenna Impedance	: 50 - 52 ohms	Weight	: 2.6 Lbs. (1.2 kg) with accessories
Receiver System	: Single superheterodyne, crystal controlled.	Accessories	: Mounting bracket Mounting hardware Power Card
Receiver Sensitivity	: 2 μ V or better for 50 mW output: 10 dB single- to-noise ratio.		
Intermediate Frequency	: 455 KHz		
Receiver Selectivity	: 30 dB down at \pm 8 KHz		

SCHEMATIC DIAGRAM



NOTE: Capacitors indicated in Microfarads, (M) shown as Mylar capacitors. Resistors indicated in Ohms, all resistors are 1/4 watts, 10%. Unless otherwise specified.