

**This Manual is provided by**  
**CBTricks.com**

Someone who wanted to help you repair your equipment  
scanned this manual.

If you would like to help us put more manuals online support us.

Supporters of CBTricks.com paid for the hosting so you would have this file.

CBTricks.com is a non-commercial personal website was created to help promote the exchange of service, modification, technically oriented information, and historical information aimed at the Citizens Band, GMRS (CB "A" Band), MURS, Amateur Radios and RF Amps.

CBTricks.com is not sponsored by or connected to any Retailer, Radio, Antenna Manufacturer or Amp Manufacturer, or affiliated with any site links shown in the links database. The use of product or company names on my web site is not endorsement of that product or company.

If your company would like to provide technical information to be featured on this site I will put up on the site as long as I can do it in a non-commercial way.

The site is supported with donation from users, friends and selling of the Galaxy Service Manual CD to cover some of the costs of having this website on the Internet instead of relying on banner ads, pop-up ads, commercial links, etc. to pay my costs. Thus I do not accept advertising banners or pop-up/pop-under advertising or other marketing/sales links or gimmicks on my website.

ALL the money from donations is used for CBTricks.com I didn't do all the work to make money (I have a day job). I all didn't do all this work for someone else to make money also, for example the ebay CD sellers.

All Trademarks, Logos, and Brand Names are the property of their respective owners.  
This information is not provided by, or affiliated in any way with any radio or antenna Manufacturers.  
Thank you for any support you can give.

**Component Outline, Main P.C.**  
**Model 2702A**

**WIRING CHART  
MAIN P.C. BOARD**

PIN NO.	WIRING CONNECTION
1	red wire to DC Power Supply jack
2	black wire to DC Power Supply jack
3	blue wire to external speaker
4	yellow wire to speaker
5A and 5B	no wire
6A	no wire
6B	white/orange wire to meter
7	white wire to Squelch switch
8	no wire
9	yellow wire to Squelch switch
10 thru 12	no wire
13	brown wire to pin 2 on Mic jack
14 thru 18	no wire
19	blue wire to on/off switch
20	red wire to on/off switch
21	purple wire to Squelch switch
22	one green wire to Squelch switch one green wire to pin 1 on Mic jack
23	white wire to PA jack yellow wire to pin 32 on Main P.C. board
24	red wire to light on meter
25	orange wire to on/off switch
26	pink wire to PA jack
27	blue wire to Squelch switch
28	no wire
29	brown wire to ANL switch
30 and 31	no wire
32	yellow wire to pin 23 on Main P.C. board
33	no wire
34	blue wire to pin 4 on Mic jack
35	gray/white wire to PA jack
36	no wire
37	red wire to Squelch switch
38	orange wire to RF Gain switch
40	red wire to on/off switch white wire to light on meter

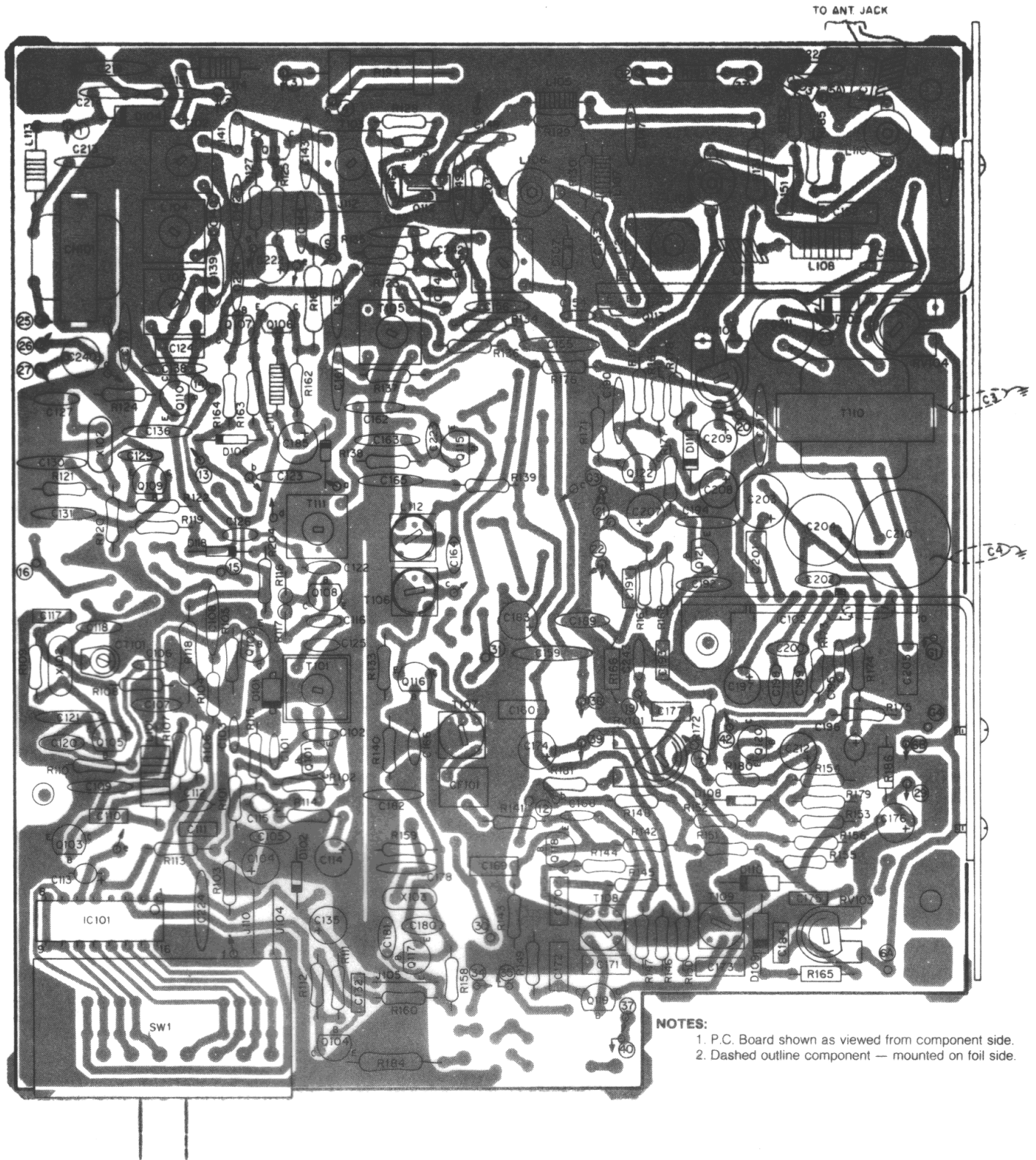
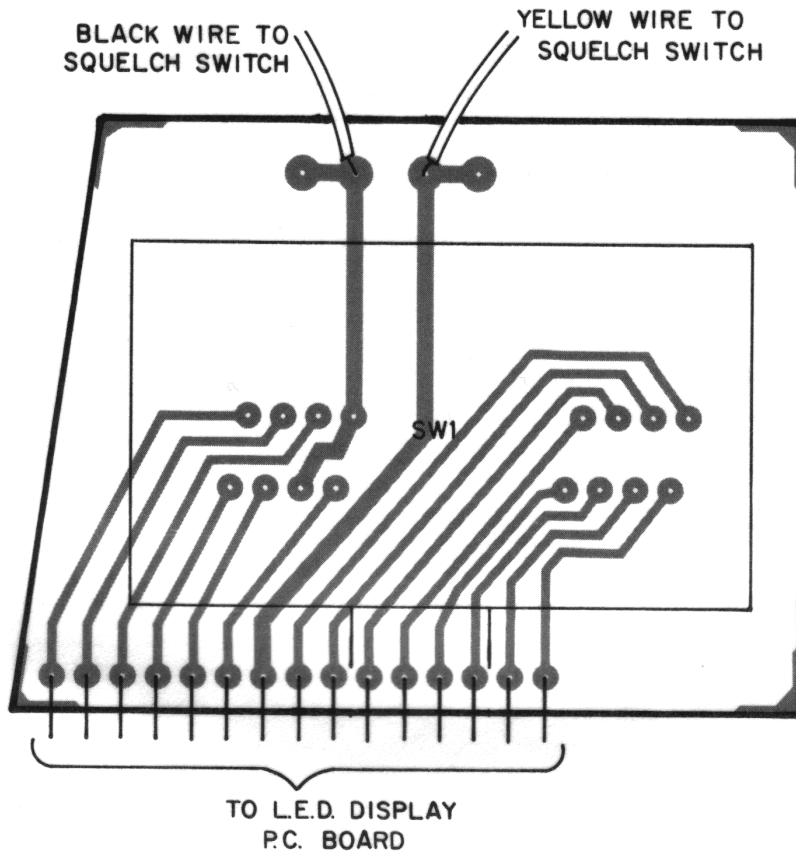


Figure 4-1. Component Outline, Main P.C. Board, Model 2702A

**Component Outline Channel Selector  
P.C. Board, Model 2702A**

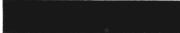




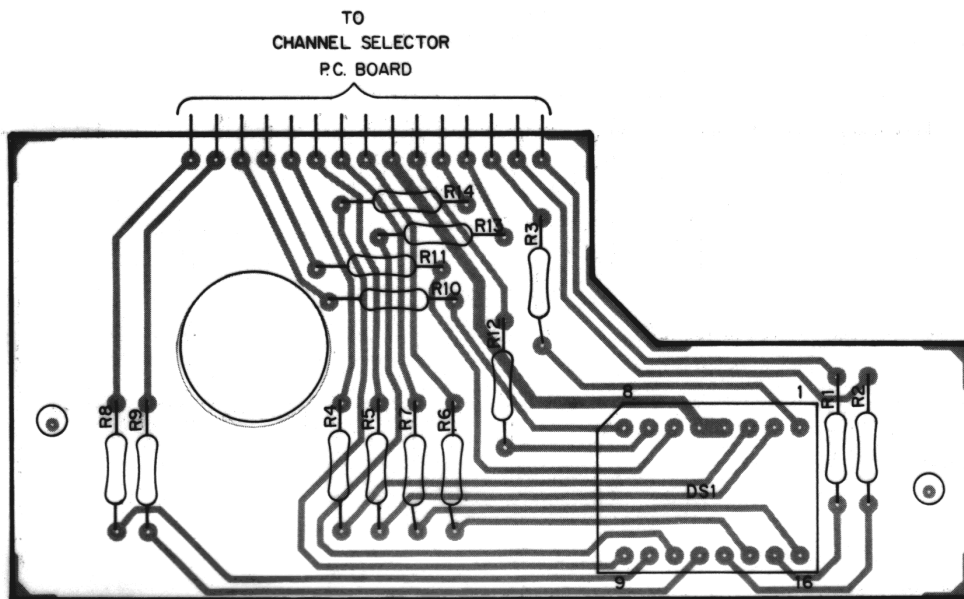
**NOTES:**

- 1. P.C. Board shown as viewed from component side.
- 2. Dashed outline component — mounted on foil side.

**Figure 4-2. Component Outline, Channel Selector P.C. Board, Model 2702A**



**Component Outline LED Display  
P.C. Board, Model 2702A**

**NOTES:**

1. P.C. Board shown as viewed from component side.
2. Dashed outline components — mounted on foil side.

**Figure 4-3. Component Outline, LED Display P.C. Board, Model 2702A**



**Parts List**

## Main P.C. Board

Reference Designator	Description	Part No.
	main p.c. board assy complete .....	87A328
	main p.c. board drilled and plated .....	75A080

**NOTE:** all capacitors are 50V ceramic disc unless otherwise noted.

C101	22 pF .....	72A403
C102	22 pF .....	72A403
C103	3 pF .....	72A900
C104	10 uF, 16V .....	72A434
C105	.1 uF, 35V, tantalum .....	72A451
C106	10 pF .....	72A399
C107	.01 uF, 25V .....	72A440
C108	330 pF .....	72A416
C109	330 pF .....	72A416
C110	.001 uF .....	72A424
C111	.01 uF .....	72A426
C112	39 pF .....	72A407
C113	.22 uF .....	72A452
C114	10 uF, 16V .....	72A433
C115	.01 uF .....	72A451
C116	18 pF .....	72A402
C117	.01 uF .....	72A426
C118	39 pF .....	72A420
C119	not used	
C120	560 pF .....	72A421
C121	100 pF .....	72A412
C122	15 pF .....	72A401
C123	.01 uF .....	72A440
C124	100 pF, 500V, mica .....	72A441
C125	33 pF .....	72A406
C126	15 pF .....	72A401
C127	56 pF .....	72A408
C128	not used	
C129	.001 uF .....	72A849
C130	82 pF .....	72A446
C131	.01 uF .....	72A440
C132	.001 uF .....	72A424
C133	.01 uF .....	72A440
C134	not used	
C135	10 uF .....	72A434
C136	220 pF .....	72A415
C137	.01 uF .....	72A440
C138	.01 uF .....	72A440
C139	3 pF .....	72A900
C140	2 pF .....	72A444
C141	68 pF .....	72A409
C142	.01 uF .....	72A440
C143	100 pF .....	72A412
C144	.01 uF .....	72A440
C145	.0022 uF .....	72A459
C146	470 pF .....	72A418
C147	.01 uF .....	72A440
C148	120 pF .....	72A413
C149	220 pF .....	72A415
C150	.01 uF .....	72A440
C151	100 pF, 500V, mica .....	72A441
C152	270 pF, 500V, mica .....	72A442
C153	82 pF .....	72A410
C154	27 pF .....	72A404
C155	.047 uF .....	72A419
C156	.01 uF .....	72A440
C157	.01 uF .....	72A440
C158	not used	
C159	.047 uF .....	72A419
C160	.047 uF, 50V, mylar .....	72A443
C161	.01 uF .....	72A440
C162	120 pF .....	72A413
C163	.01 uF .....	72A440
C164	2 pF .....	72A444
C165	.01 uF .....	72A440
C166	10 pF .....	72A399
C167	not used	
C168	2 pF .....	72A444
C169	.047 uF, 50V, mylar .....	72A443
C170	.047 uF, 50V, mylar .....	72A443
C171	.047 uF, 50V, mylar .....	72A443
C172	.047 uF, 50V, mylar .....	72A443
C173	.047 uF, 50V, mylar .....	72A443

Reference Designator	Description	Part No.
C174	33 uF, 25V, electrolytic	72A431
C175	4700 pF	72A425
C176	1 uF, 50V, electrolytic	72A430
C177	.033 uF	72A428
C178	56 pF	72A408
C179	not used	
C180	560 pF	72A421
C181	100 pF	72A411
C182	68 pF	72A445
C183	10 uF, 16V, electrolytic	72A434
C184	.022 uF	72A427
C185	47 uF, 10V, electrolytic	72A436
C186	not used	
C187	not used	
C188	not used	
C189	.01 uF	72A440
C190	.01 uF	72A440
C191	.022 uF	72A427
C192	150 pF	72A414
C193	.01 uF	72A426
CF101	ceramic filter	78A067
CH101	choke coil	72A482
CT101	3.3-18 pF ceramic trimmer	72A439
D101	SMV1334 varactor diode	76A135
D102	1N751A zener diode	76A134
D103	1N757A zener diode	76A133
D104	1N4002 rectifier	76A132
D105	1N4002 rectifier	76A132
D106	1N4148 diode	760037
D107	1N4148 diode	760037
D108	1N4148 diode	760037
D108	1N4148 diode	760037
D109	1N4148 diode	760037
D110	1N4148 diode	760037
D111	1N4148 diode	760037
D112 thru		
D113	not used	
D114	1N4148 diode	760037
D115	1N60 diode	760057
D116	1N60 diode	760057
D117	not used	
D118	1N4148 diode	760037
IC101	PLL 02A	76A136
IC102	TA7205P	76A137
L101	rf choke	72A490
L102	not used	
L103	coil, 27 MHz	72A481
L104	coil	72A480
L105	rf choke	72A489
L106	rf coil	72A486
L107	rf choke	72A491
L108	rf choke	
L108		
L108	rf coil	72A487
L109	rf coil	72A484
L110	rf coil	72A485
L111	rf choke	72A491
L112	transformer	73A041
L113	rf choke	72A488
L114	rf choke	72A488
L115	not used	
L116	rf coil	72A483
Q101	MPS3704	76A142
Q102	MPS6514	76A140
Q103	MPS6513	760139
Q104	MPS6513	760139
Q105	MPS6513	760139
Q106	MPS3704	76A142
Q107	MPS3702	76A141
Q108	MPS6513	760139
Q109	MPS6513	760139
Q110	MPS6513	760139

Reference Designator	Description	Part No.
Q111	MPS6513	760139
Q112	MPS-U02	76A143
Q113	MRF-472	76A144
Q114	MPS6514	76A140
Q115	MPS6514	76A140
Q116	MPS6513	760139
Q117	MPS6513	760139
Q118	MPS6514	76A140
Q119	MPS6514	76A140
Q120	MPS5172	76A138
Q121	MPS6514	76A140
Q122	MPS6513	760139
Q123	MPS6513	760139
Q124	MPS6513	760139
Q125	2N5088	760149
Q126	2N5088	760149

**NOTE:** All resistors are 1/4W, 10%, carbon film unless otherwise noted

R101	330	72A552
R102	100k	72A612
R103	3.3k	72A576
R104	1.5k	72A568
R105	220k	72A620
R106	1.5k	72A568
R107	100k	72A612
R108	1.5k	72A568
R109	100k	72A612
R110	2.2k	72A572
R111	1k	72A564
R112	100k	72A612
R113	3.3k	72A576
R114	470	72A556
R115	22k	72A596
R116	470	72A556
R117	33k	72A600
R118	100, 1/2w, 10%, carbon film	72A717
R119	3.3k	72A576
R120	100k	72A612
R121	2.2k	72A572
R122	1k	72A564
R123	2.2k	72A572
R124	270	72A550
R125	10k	72A588
R126	not used	
R127	68	72A536
R128	100	72A540
R129	220	72A548
R130	47	72A532
R131	10, 1/2w, 5%, carbon film	72A693
R132	47k	72A604
R133	1k	72A564
R134	680	72A560
R135	1.5k	72A568
R136	100	72A540
R137	1.8k, 1/4w, 5%, carbon film	72A570
R138	1k	72A564
R139	470	72A556
R140	100k	72A612
R141	1k	72A564
R142	4.7k	72A580
R143	470	72A556
R144	47k	72A604
R145	220, 1/4w, 5%, carbon film	72A548
R146	330	72A552
R147	1.5k	72A568
R148	27k	72A598
R149	220, 1/4w, 5%, carbon film	72A548
R150	47, 1/4w, 5%, carbon film	72A532
R151	22k	72A596
R152	270k	72A622
R153	47k	72A506
R154	68k	72A608
R155	33k	72A600
R156	47k	72A506
R157	not used	
R158	100k	72A612
R159	1.5k	72A568
R160	1.5k	72A568
R161	22, 1/2w, 5%, carbon film	72A701
R162	1k	72A564
R163	390	72A554

Reference Designator	Description	Part No.
R164	10k	72A588
R165	820, 1/4w, 5%, carbon film	722562
R166	not used	
R167	27k	72A598
R168	3.3k	72A576
R169	220k	72A620
R170	22k	72A596
R171	150	72A544
R172	2.2k	72A572
R173	820	72A562
R174	68	72A536
R175	10k	72A588
R176	82	72A538
R177	270	72A550
R178	680	72A560
R179	22k	72A596
R180	1.8k	72A570
R181	18k	72A594
R182 thru R185	not used	
R186	10k, 1/4w, 5%, carbon film	722588
R187	820k, 1/4w, 5%, carbon film	722634
R188	820k, 1/4w, 5%, carbon film	722634
R189	220k, 1/4w, 5%, carbon film	722620
R190	4.7k, 1/4w, 5%, carbon film	722580
R191	22k, 1/4w, 5%, carbon film	722596
R192	10k, 1/4w, 5%, carbon film	722588
R193	not used	
R194	10k, 1/4w, 5%, carbon film	722588
R195	1.5k, 1/4w, 5%, carbon film	722568
R196 thru R201	not used	
R202	5.6k, 1/4w, 5%, carbon film	72A582
R203	560	72A558
R204	18k	72A594
RV101	10k	72A398
RV102	2k	72A397
RV103	20k, 30%, 0.1w trimmer	722856
T101	37 mhz transformer	73A047
T102	27 khz transformer	73A042
T103	27 khz transformer	73A043
T104	27 mhz transformer	73A044
T105	27 mhz transformer	73A045
T106	10.7 mhz transformer	73A041
T107	455 khz transformer	73A038
T108	455 khz transformer	73A039
T109	455 khz transformer	73A040
T110	audio transformer	73A048
T111	27 mhz transformer	73A046
X101	11.8066 mhz crystal	78A068
X102	11.695 mhz crystal	78A069
X103	10.24 mhz crystal	78A070

### Led Display P.C. Board (A-1)

Reference Designator	Description	Part No.
	LED p.c. board assy complete	879560
	LED p.c. board drilled and plated	750267
R1 thru R4	dual LED readout TLR320	760331
	1.8k, 1/2w, 5%	
R1 thru R14	1.8k, 1/2w, 5% carbon film	722570

### Channel Selector P.C. Board (A-2)

Reference Designator	Description	Part No.
	channel selector switch assy complete	879561
	channel selector p.c. board drilled and plated	750266
S1	40 channel switch w/LED pgm	700067
	ribbon, p.c. board connector, 15 pin	690100
	bushing, channel selector switch	380347

## Chassis Mounted Components

Reference Designator	Description	Part No.
C1	330 pF, 500V, ceramic disc	721681
C2	330 pF, 500V, ceramic disc	721681
C3	.001 uF	72A849
C4	.001 uF	72A849
C5	.001 uF	72A849
C6	.001 uF	72A849
C7	.001 uF	72A849
C8	.001 uF	72A849
C9	.001 uF	72A849
C10	.001 uF	72A849
C11	.001 uF	72A849
C12	.001 uF	72A849
F1	2A fuse	in pwr cord assy
J1	jack, antenna	650065
J2	jack, microphone 5 pin	650113
J3	jack, ext. speaker	650076
J4	jack, pa	650076
J5	jack, ext. squelch	650102
J6	jack, power connector 3 pin	650111
L1	.18 uh coil	722871
M1	meter	790200
PL1	lamp, 6V, .04A	710039
R1	100k, 1/4w, 10% carbon film	72A612
RV1 and RV2	not used	
RV3	100k, 30%, .1W, dpdt	722908
RV4	10k, 30%, .1W, dpdt	722908
RV5	not used	
RV6	50k, 20%, spst	722909
SW1	switch, spst	722909
S2	switch, toggle	700066
S3	switch 10k/100k, 30%, .1W, dpdt	722908
	speaker	730057

## MECHANICAL PARTS

Part No.	Description	Qty
380350	bracket, hanger	1
380291	bracket, meter supporting	1
460100	case, bottom	1
460101	case, top	1
879566	chassis assy, main	1
380293	chassis	1
380358	clip, pwr conn. retention	1
460189	channel selector insert	1
879564	escutcheon assy	1
460145	front pannel insert	1
460190	front panel	1
460108	knob, channel selector switch	1
460196	knob, inner concentric	1
460197	knob, outer concentric	1
450197	knob, volume and squelch	1
460195	window, red	1

## ACCESSORY PARTS

Part No.	Description	Qty
879569	parts package	1
879544	microphone, black CB	1
350629	holder, microphone	1
879567	dc power cord assy	1
530017	screw, thumb	2

**HY-GAIN DE PUERTO RICO, INC.**

**P.O. Box 68 State Hwy 31, Km. 4.0  
Naguabo, Puerto Rico 00718**