

This Manual is provided by
CBTricks.com

Someone who wanted to help you repair your equipment
scanned this manual.

If you would like to help us put more manuals online support us.

Supporters of CBTricks.com paid for the hosting so you would have this file.

CBTricks.com is a non-commercial personal website was created to help promote the exchange of service, modification, technically oriented information, and historical information aimed at the Citizens Band, GMRS (CB "A" Band), MURS, Amateur Radios and RF Amps.

CBTricks.com is not sponsored by or connected to any Retailer, Radio, Antenna Manufacturer or Amp Manufacturer, or affiliated with any site links shown in the links database. The use of product or company names on my web site is not endorsement of that product or company.

If your company would like to provide technical information to be featured on this site I will put up on the site as long as I can do it in a non-commercial way.

The site is supported with donation from users, friends and selling of the Galaxy Service Manual CD to cover some of the costs of having this website on the Internet instead of relying on banner ads, pop-up ads, commercial links, etc. to pay my costs. Thus I do not accept advertising banners or pop-up/pop-under advertising or other marketing/sales links or gimmicks on my website.

ALL the money from donations is used for CBTricks.com I didn't do all the work to make money (I have a day job). This work was not done for someone else to make money also, for example the ebay CD sellers.

All Trademarks, Logos, and Brand Names are the property of their respective owners.
This information is not provided by, or affiliated in any way with any radio or antenna Manufacturers.
Thank you for any support you can give.

PHOTOFACT® Folder



**GONSET MODELS
G-14 (3430), G-14 (3433)**



MODEL G-14 (3430)

**GONSET MODELS
G-14 (3430), G-14 (3433)**

TRADE NAME	Gonset Models G-14 (3430), G-14 (3433)	
MANUFACTURER	Gonset Division, Young Spring, Wire Corp., 801 S. Main Street, Burbank, California	
TYPE SET	AC-Battery Operated 9 Tube Citizens Band Transmitter-Receiver	
POWER SUPPLY	Model G-14 (3430): 110-120 Volts AC, 60 Cycles (or) 12 Volt Storage Battery Model G-14 (3433): 110-120 Volts AC, 60 Cycles (or) 6 Volt Storage Battery	
RATING	RECEIVE: 71 Watts, .65 Amp. @117 Volts AC 5 Amp. @12.6 Volts DC 10 Amp. @6.3 Volts DC	TRANSMIT: 74 Watts, .68 Amp. @117 Volts AC 5.2 Amp. @12.6 Volts DC 10.4 Amp. @6.3 Volts DC
TUNING RANGE	Any 4 of Citizens Band Channels 1 thru 23	

NOTICE

ONLY THOSE PERSONS PROPERLY LICENSED ARE PERMITTED TO MAKE REPAIRS OR ADJUSTMENTS WHICH MAY RESULT IN ILLEGAL OPERATION. (REFER TO FCC RULES & REGULATIONS PART 19, SUBPART D, SECTION 19.71.)

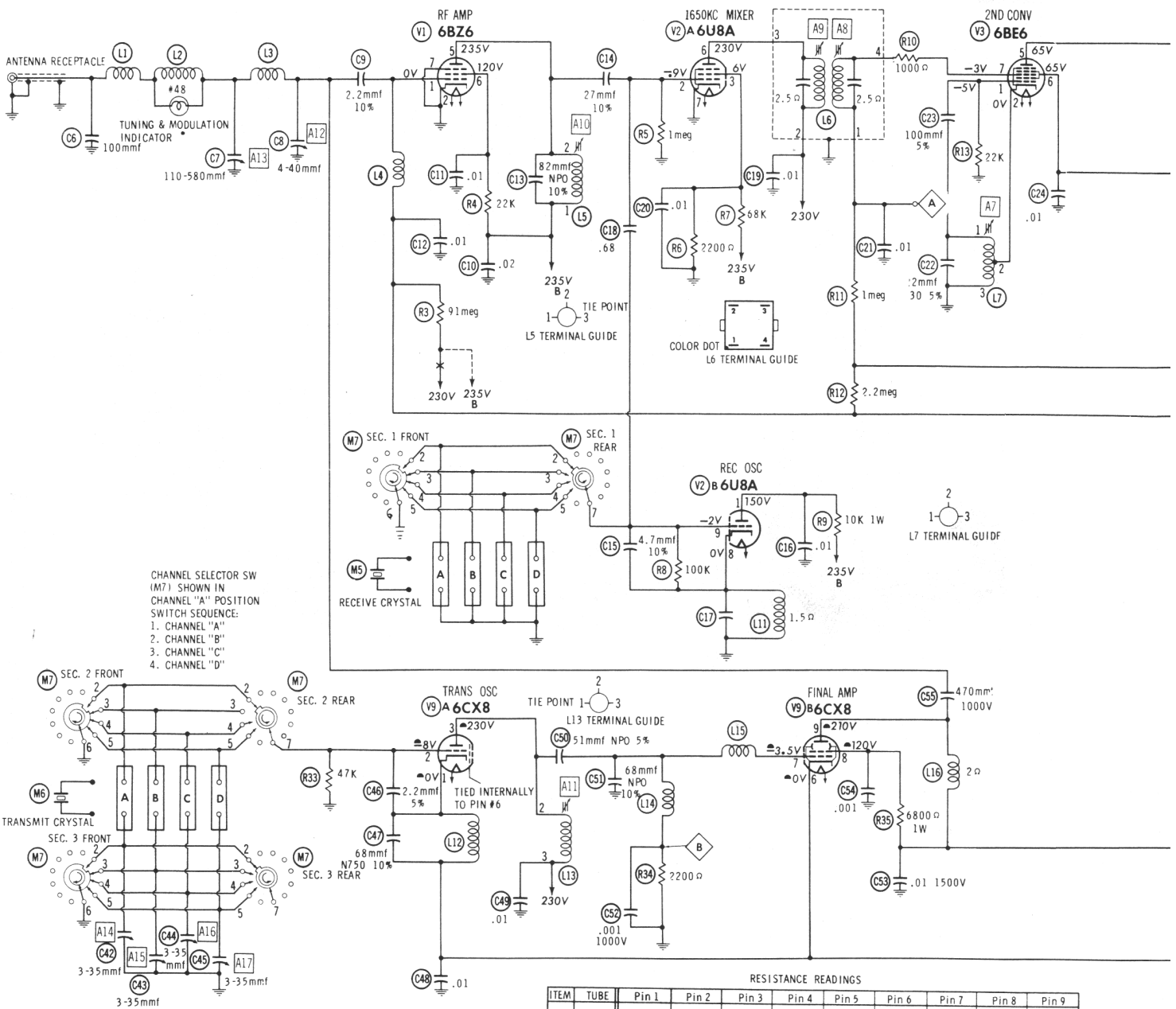
HOWARD W. SAMS & CO., INC. Indianapolis 6, Indiana



The listing of any available replacement part herein does not constitute in any case a recommendation, warranty or guaranty by Howard W. Sams & Co., Inc., as to the quality and suitability of such replacement part. The numbers of these parts have been compiled from information furnished to Howard W. Sams & Co., Inc., by the manufacturers of the particular type of replacement LY648

part listed. Reproduction or use, without express permission, of editorial or pictorial content, in any manner, is prohibited. No patent liability is assumed with respect to the use of the information contained herein. ©1963 Howard W. Sams & Co., Inc., Indianapolis 6, Indiana.

Printed in U.S. of America



CHANNEL SELECTOR SW (M7) SHOWN IN CHANNEL "A" POSITION SWITCH SEQUENCE:
 1. CHANNEL "A"
 2. CHANNEL "B"
 3. CHANNEL "C"
 4. CHANNEL "D"

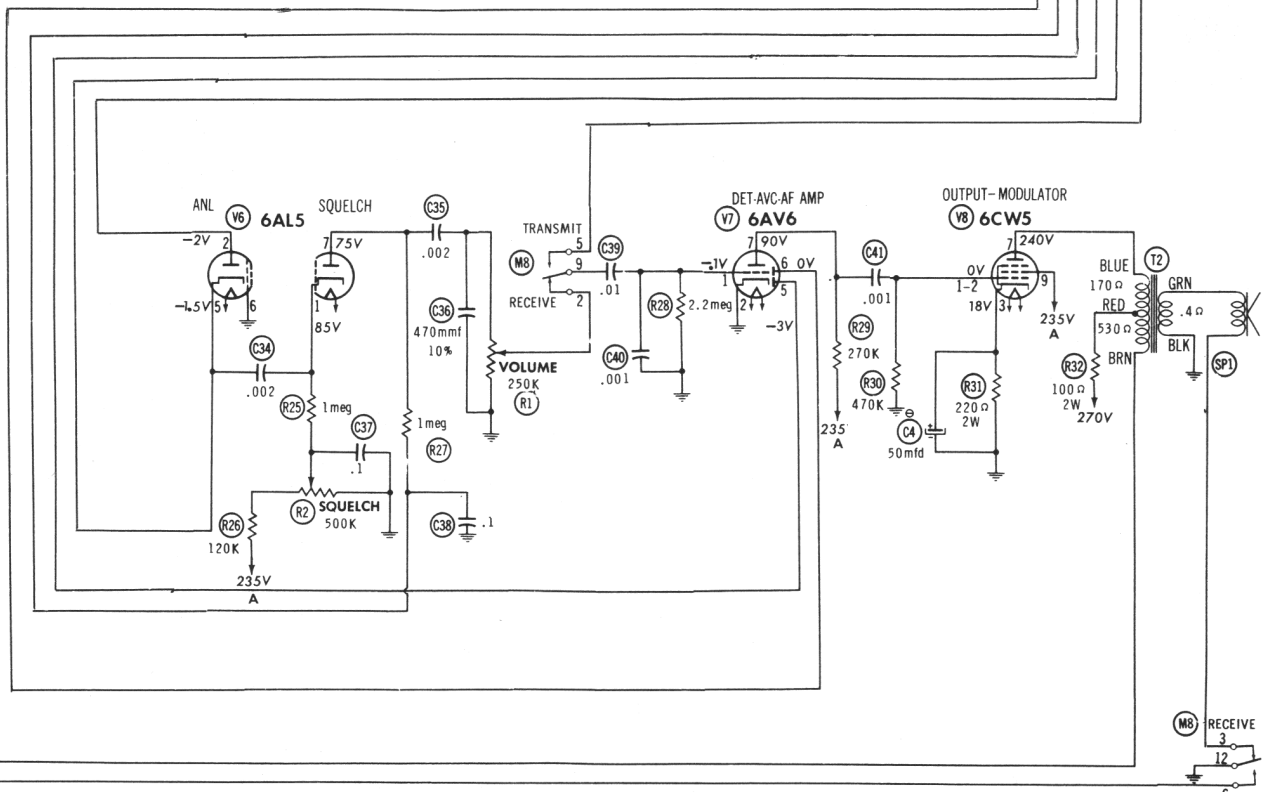
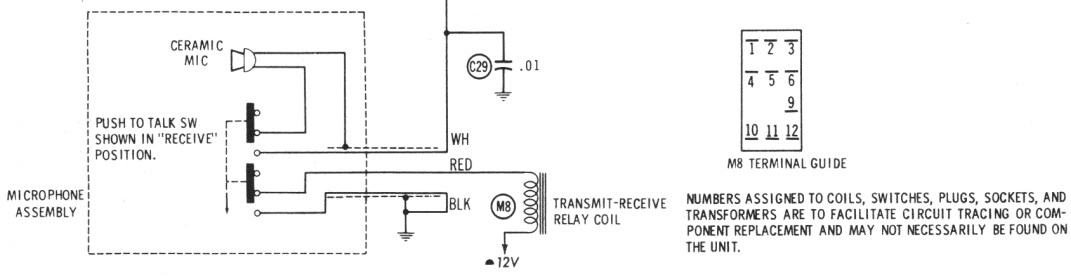
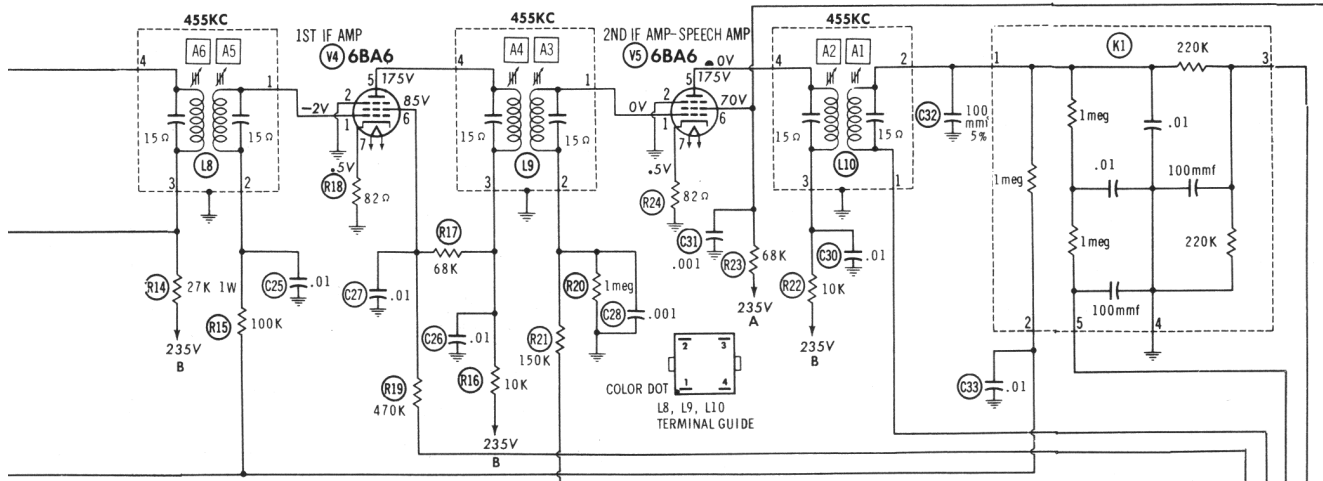
RESISTANCE READINGS

ITEM	TUBE	Pin 1	Pin 2	Pin 3	Pin 4	Pin 5	Pin 6	Pin 7	Pin 8	Pin 9
V1	6BZ6	3.5meg	0Ω	FIL	FIL	†430Ω	†22K	0Ω		
V2	6U8A	10K	1meg	†68K	FIL	FIL	†1000Ω	0Ω	1.5Ω	100K
V3	6BE6	22K	0Ω	FIL	FIL	†27K	†27K	1.5meg		
V4	6BA6	1.6meg	0Ω	FIL	FIL	†10K	†78K	82Ω		
V5	6BA6	1meg	0Ω	FIL	FIL	†1NF †10K	†68K	82Ω		
V6	6AL5	1.2meg	220K	FIL	FIL	2.5meg	0Ω	†1.5meg		
V7	6AV6	2.2meg	0Ω	FIL	FIL	440K	3.5meg	†270K		
V8	6CW5	470K	470K	220Ω	FIL	FIL	NC	†370Ω	NC	†430Ω
V9	6CX8	∞Ω	47K	†900Ω	FIL	FIL	∞Ω	2200Ω	†7500Ω	†730Ω

ALL READINGS TAKEN IN "RECEIVE" POSITION UNLESS OTHERWISE DESIGNATED.
 ALL CONTROLS SET AT MINIMUM EXCEPT SQUELCH CONTROL WHICH IS SET AT NORMAL POSITION.
 † MEASURED FROM OUTPUT OF X2. ∞ MEASURED IN "TRANSMIT" POSITION. NC NO CONNECTION

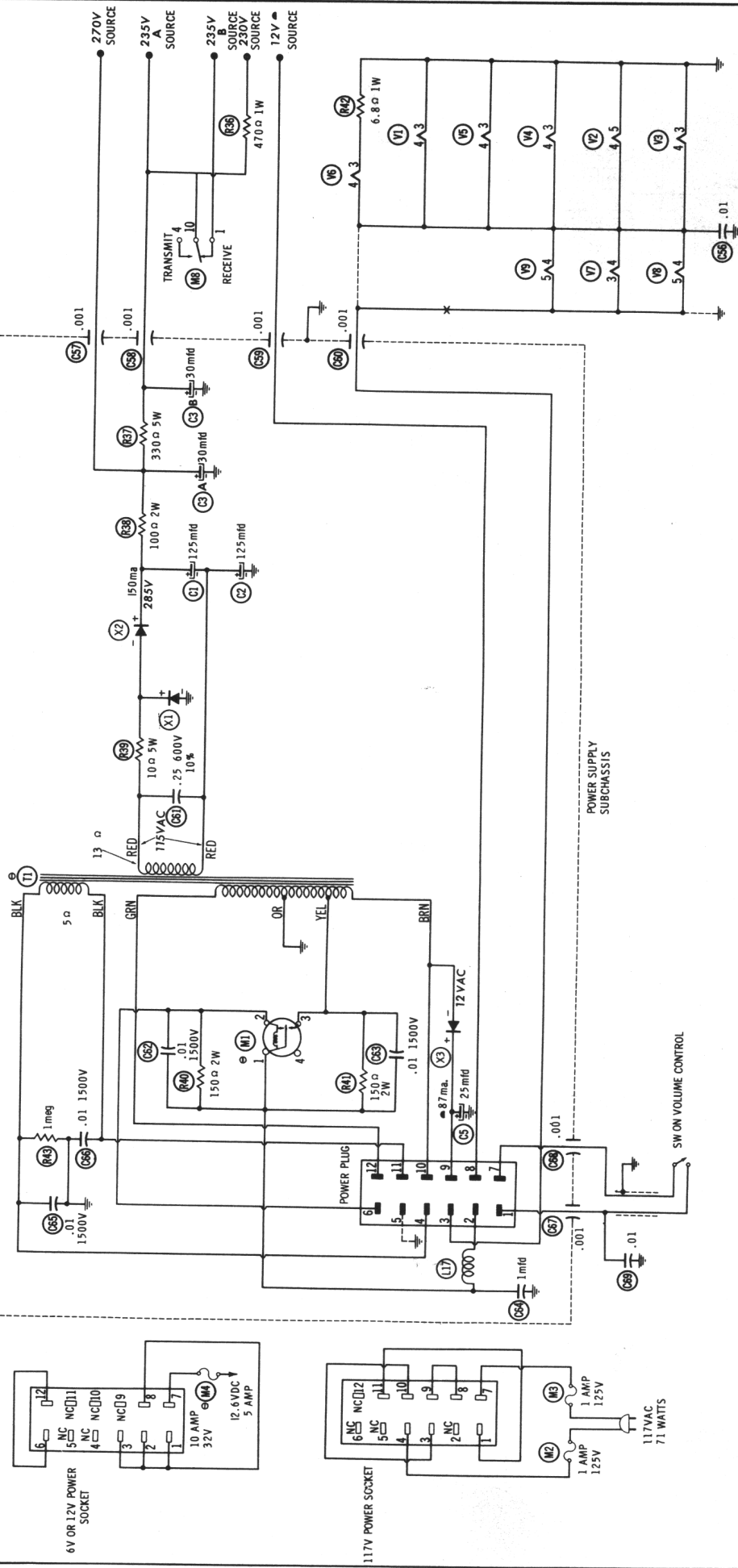
- SEE PARTS LIST FOR ALTERNATE VALUE OR APPLICATION
- DC voltage measurements taken with vacuum tube voltmeter; AC voltages measured with 1000 ohm per volt voltmeter.
 - Socket connections are shown as bottom views.
 - Measured values are from socket pin to common ground.
 - Line voltage maintained at 117 volts for voltage readings.
 - Nominal tolerance on component values makes possible a variation of ± 15% in voltage and resistance readings.

A PHOTOFAC STANDARD NOTATION SCHEMATIC
 ©Howard W. Sams & Co., Inc. 1963

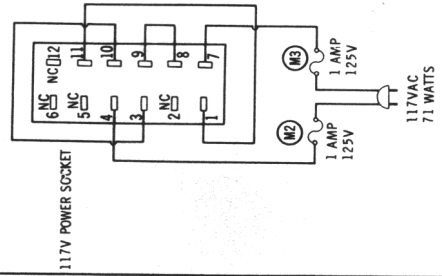
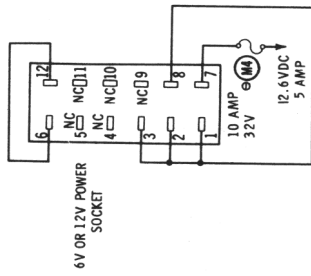


GONSET MODELS
G-14 (3430), G-14 (3433)

RECEIVE 3
 TRANSMIT 6



POWER SUPPLY
SUBCHASSIS



ALIGNMENT INSTRUCTIONS

ALIGNMENT INSTRUCTIONS—READ CAREFULLY BEFORE ATTEMPTING ALIGNMENT	
Best results are obtained when adjusting A12 and A13 if the antenna normally used is connected and the unit is as nearly in the cabinet as possible.	
Suggested Alignment Tools:	
A1 thru A7.....	GENERAL CEMENT #5097, 8727 WALSCO #2515
A8 thru A11.....	GENERAL CEMENT #8282, 8606, 8606-L, 9091 WALSCO #2526, 2541, 2542, 2543, 2544
A12 thru A17.....	GENERAL CEMENT #5000, 5003, 5066, 8276, 8290, 9087, 9089 WALSCO #2512, 2525, 2528

RECEIVER ALIGNMENT

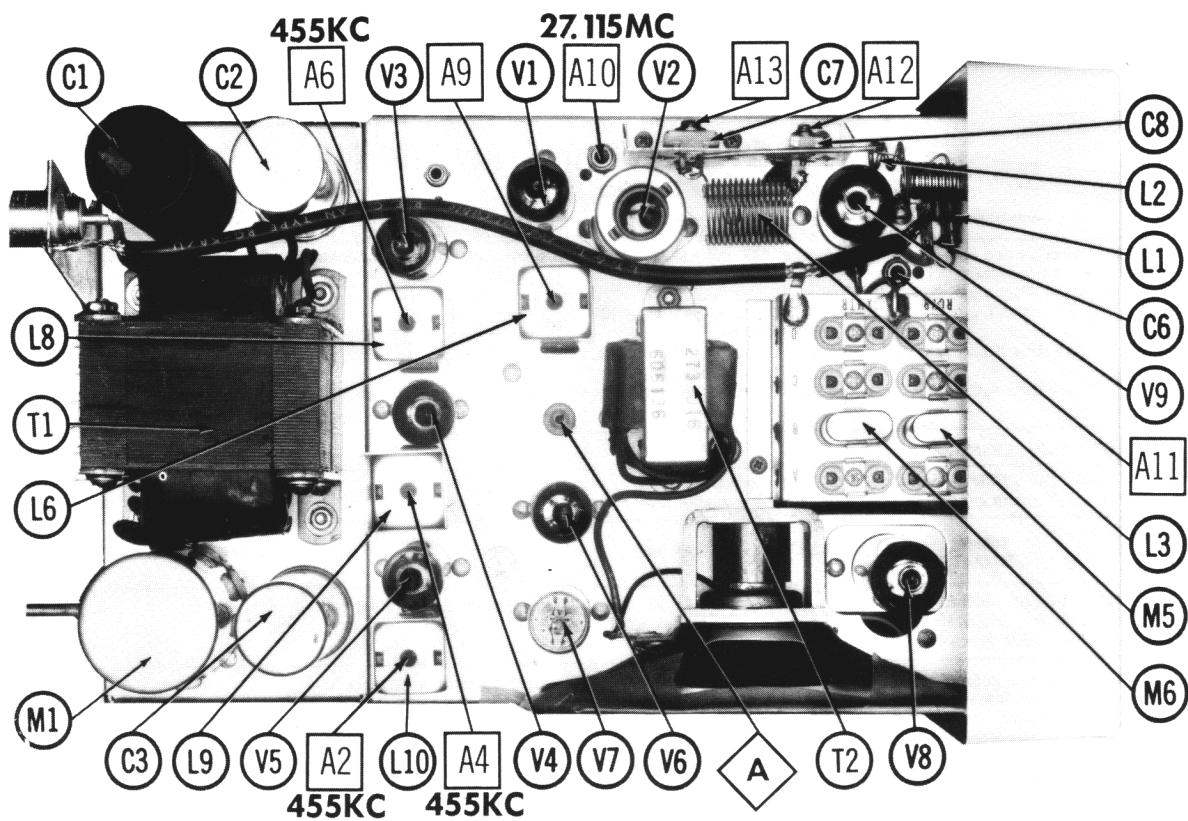
Connect DC VTVM between point \diamond and ground.
Use only enough generator output to provide a usable indication.

SIGNAL GENERATOR	CHANNEL	ADJUST	REMARKS
High side thru .05mfd to pin 7 (grid) of Converter, low side to ground. Tune to 455KC (Unmod.)	ANY	A1, A2, A3, A4, A5, A6	Adjust for maximum deflection.
High side thru .05mfd to pin 7 (grid) of Converter, low side to ground. Tune to 1650KC (Unmod.)	Center Channel	A7	Adjust for maximum deflection.
High side thru .05mfd to pin 2 (grid) of 1650KC Mixer, low side to ground. Tune to 1650KC (Unmod.)	ANY	A8, A9	"
High side to antenna input, low side to ground. Tune to Channel Frequency.	Center Channel	A10	"

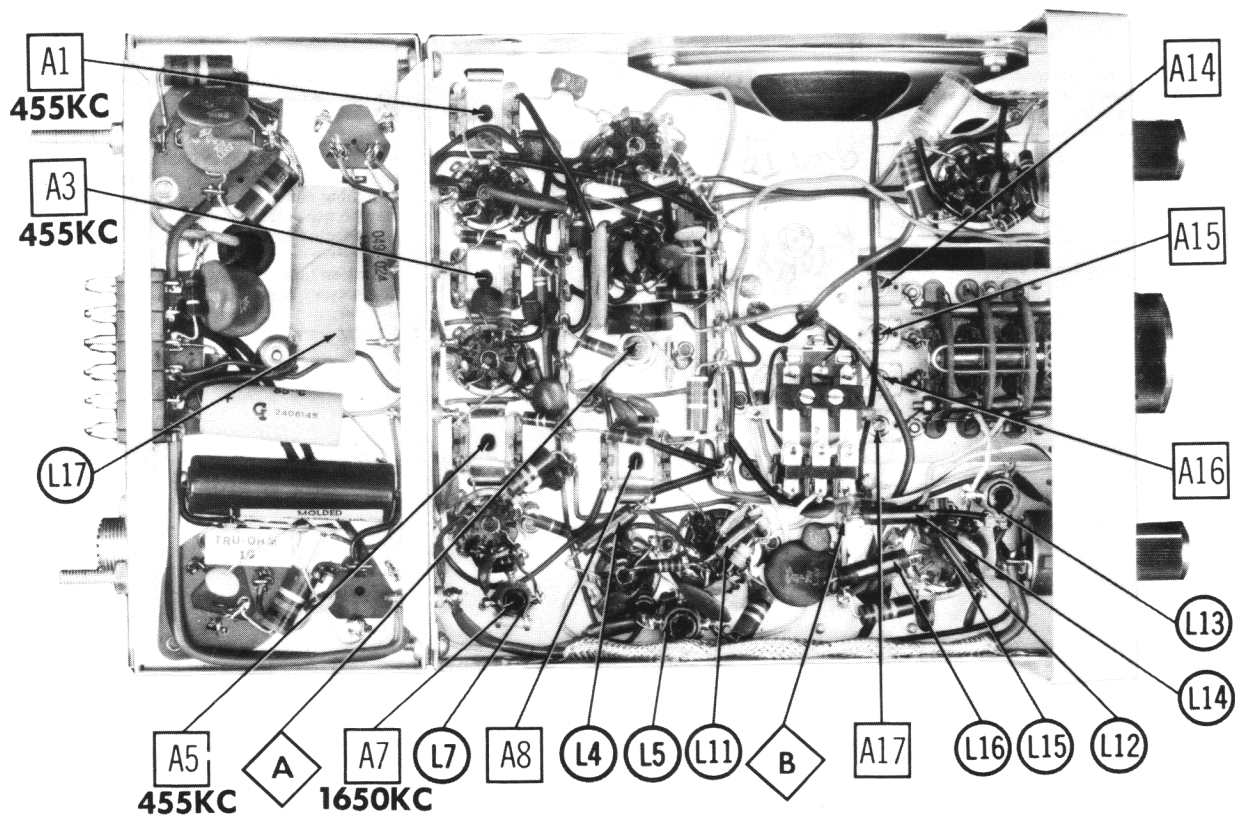
TRANSMITTER ADJUSTMENTS

ONLY THOSE PERSONS PROPERLY LICENSED ARE PERMITTED TO MAKE REPAIRS OR ADJUSTMENTS WHICH MAY RESULT IN ILLEGAL OPERATION. (REFER TO FCC RULES & REGULATIONS PART 19, SUBPART D, SECTION 19.71)

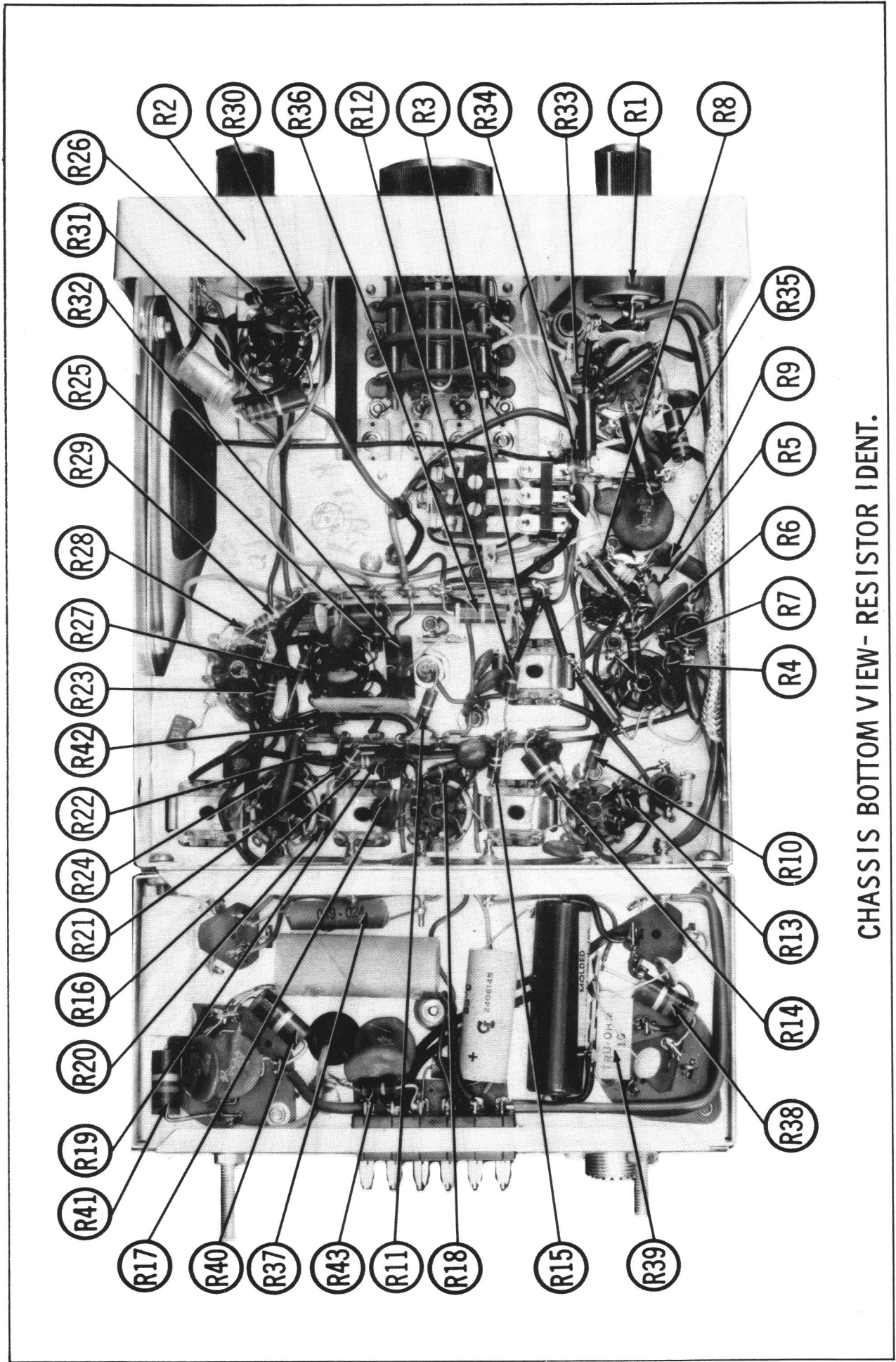
SPECIAL INSTRUCTIONS	INDICATOR	ADJUST	REMARKS
Connect antenna dummy load to antenna input. Set transmitter for center channel operation.	Connect VTVM to point \diamond , common to ground.	A11	Adjust for maximum deflection.
"	Indicator light on front panel or RF wattmeter.	A12, A13	Adjust for maximum indication until no difference in output is noticed when switching channels. Slight readjustment may be necessary when the unit is reconnected to the antenna.
Connect Antenna	Use Frequency measuring device or receiver of known accuracy.	A14, A15, A16, A17	Adjust so that associated crystal falls in the exact center of the specified channel.



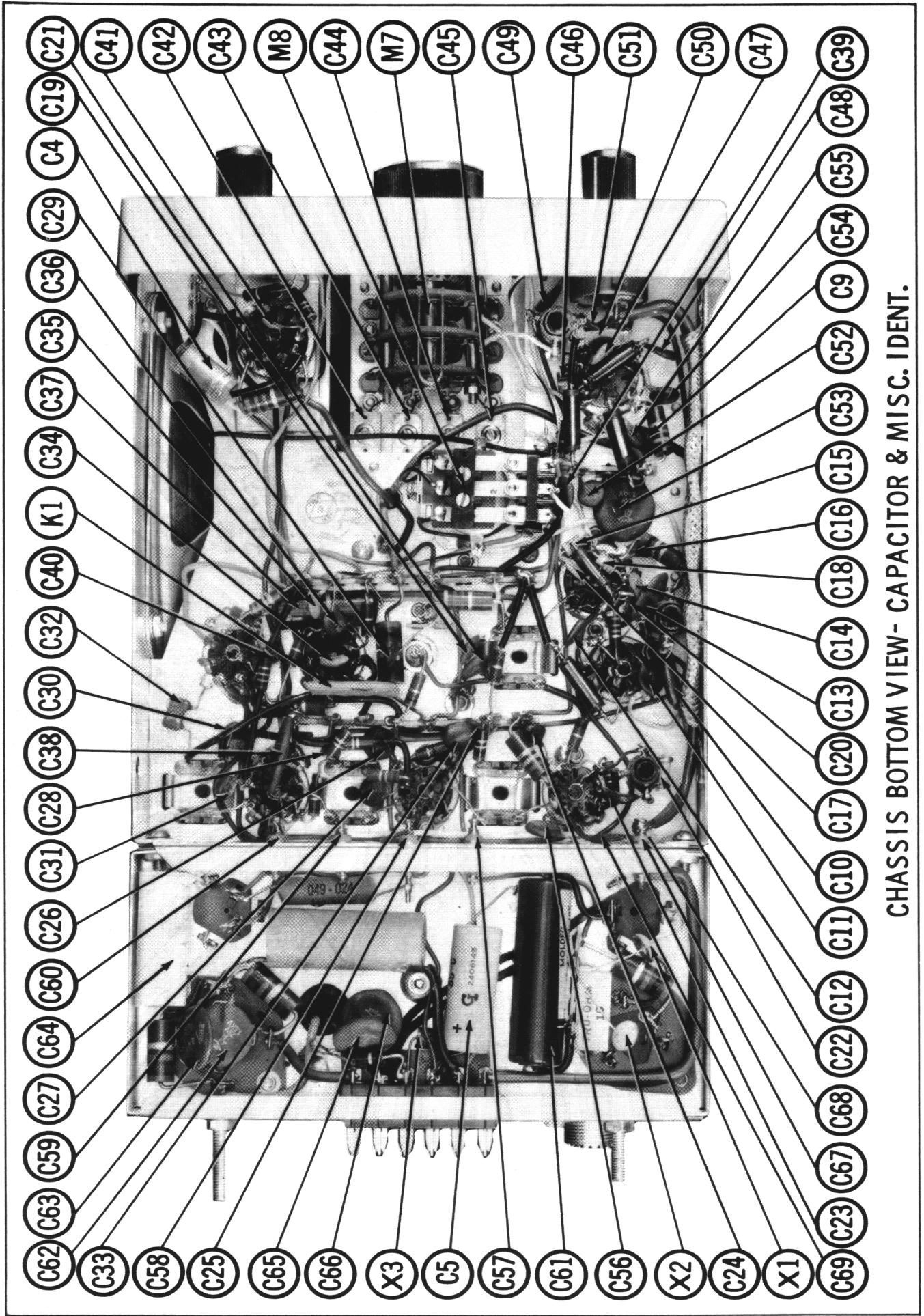
CHASSIS TOP VIEW



CHASSIS BOTTOM VIEW- ALIGNMENT & INDUCTOR IDENT.



CHASSIS BOTTOM VIEW- RESISTOR IDENT.



CHASSIS BOTTOM VIEW- CAPACITOR & MISC. IDENT.

PARTS LIST AND DESCRIPTION

WIRING DATA

General-use Hook-up Wire Use BELDEN No. 8530 (Solid) Available in 12 Colors
 Shielded Antenna Lead Use BELDEN No. 8524 (Stranded) Available in 12 Colors
 Shielded Antenna Lead Use BELDEN No. 8244 (Stranded) Available in 12 Colors
 8237 Low Loss (RG-8/U) Type
 8240 (Solid) Miniature (RG-58/U)
 8259 (Stranded) Miniature (RG-58A/U)
 8496 3 Conductor - 1 Shielded for Press-to-Talk (Neoprene)
 8497 3 Conductor - 1 Shielded for Press-to-Talk (Vinyl)
 7300-Series Spark-Plug Sets
 Bonding Strap Use BELDEN No. 8661 (3/8 In.)

TUBES

ITEM No.	USE	GENERAL ELECTRIC		RAYTHEON		SYLVANIA	
		TYPE	ITEM No.	USE	TYPE	ITEM No.	TYPE
V1	RF Amp.	6BZ6	V5	2nd IF Amp. - Speech Amp.	6BA6		
V2	I650KC Mixer - Rec. Crystal Osc.	6U8A	V6	Ampl. - Squelch	6AL5		
V3	Converter	6BE6	V7	Det. - A VC - AF Amp.	6AV6		
V4	1st. IF Amp.	6BA6	V8	Output-Modulator	6CW5		
			V9	Transmit Osc. - Final Amp.	6CX8		

POWER RECTIFIERS & SIGNAL DIODES

ITEM No.	CURRENT RATING (Measured)	ORIGINAL Part or Type No.	RECTIFIERS		DIODES	NOTES
			SARKES PART No.	TARZIAN PART No.		
X1	.150A	474-025	IN3194	F4	HV Rectifier	
X2	.150A	474-025	IN3194	F4	HV Rectifier	
X3	.087A	474-004	IN3194	2F4	LV Relay Control	

ELECTROLYTIC CAPACITORS

ITEM No.	RATING CAP. VOLT.	REPLACEMENT DATA			
		AEROVOX PART No.	CORNELL-DUBILIER PART No.	GENERAL ELECTRIC PART No.	SPRAGUE PART No.
C1	125	AFLH-25-60	XA0312	XC1-14	TVLS-1470*
C2	125	AFLH-25-60	XA0312	XC1-14	TVLS-1470*
C3A	30	A FH2-39	B0310	XC3-11	TVL-2628
C4	25	PTT82	NLW25-25	MTI-11	MLV25-25
C5	50	PRS1265	BR50-25	QTI-15	TD-50-25

* Not normally in distributor's stock. Available thru distributor on order to manufacturer.
 ① Model G14(3433) uses 250mid 50V in this application (Part #073-078).

FIXED CAPACITORS

ITEM No.	RATING	REMARKS	REPLACEMENT DATA			
			AEROVOX PART No.	CORNELL-DUBILIER PART No.	ELMENCO PART No.	SPRAGUE PART No.
C6	100 5%	#089-024	ADM-15-101	22R5T1	VCN-20-101	MS-31
C7	110-560	#089-005		467	422	
C8	4-40					
C9	2.2 10%					
C10	.01					
C11	.01					
C12	82 NPO 10%					
C13	27 10%					
C14	4.7 10%					
C15	30 NPO 10%					
C16	.68					
C17	30 NPO 10%					
C18	.68					
C19	.01					

FIXED CAPACITORS (cont)

ITEM No.	RATING	REMARKS	REPLACEMENT DATA			
			AEROVOX PART No.	CORNELL-DUBILIER PART No.	ELMENCO PART No.	SPRAGUE PART No.
C20	.01		BFD-01	BYA10S1	CCD-103	5HK-S10
C21	.01	#084-244	BFD-01	BYA10S1	CCD-103	5HK-S10
C22	22 N330 5%		ADM-15-101	22R5T1	VCN-20-101	MS-31
C23	100 5%		BFD-01	BYA10S1	CCD-103	5HK-S10
C24	.01		BFD-01	BYA10S1	CCD-103	5HK-S10
C25	.01		BFD-01	BYA10S1	CCD-103	5HK-S10
C26	.01		BFD-01	BYA10S1	CCD-103	5HK-S10
C27	.01		BFD-001	BYA10D1	CCD-102	5HK-S10
C28	.001		BFD-01	BYA10S1	CCD-103	5HK-S10
C29	.01		BFD-01	BYA10S1	CCD-103	5HK-S10
C30	.01		BFD-001	BYA10D1	CCD-102	5HK-S10
C31	.001		BFD-001	BYA10D1	CCD-102	5HK-S10
C32	100 5%		ADM-15-101	22R5T1	VCN-20-101	MS-31
C33	.01		BFD-01	BYA10S1	CCD-103	5HK-S10
C34	.002		BPD-002	BYA10D2	CCD-202	5HK-D20
C35	.002		BPD-002	BYA10D2	CCD-202	5HK-D20
C36	470 10%		DI-470	5R5T47	CCS-471	10TS-T47
C37	1.200V		P288N-1	MP2P1	2DP-3-104	2PS-P10
C38	.1		BPD-01	BYA10S1	CCD-103	5HK-S10
C39	.001		BPD-001	BYA10D1	CCD-102	5HK-S10
C40	.001		BPD-001	BYA10D1	CCD-102	5HK-D10
C41	.001		BPD-001	BYA10D1	CCD-102	5HK-D10
C42	3-35	#089-006			403	
C43	3-35	#089-006			403	
C44	3-35	#089-006			403	
C45	3-35	#089-006			403	
C46	2.2 5%					
C47	68 N750 10%		N750-DI 68	C10Q68U	CCTN-680	10TCC-V22
C48	.01		BPD-01	BYA10S1	CCD-103	10TCU-Q68
C49	.01		BPD-01	BYA10S1	CCD-103	5HK-S10
C50	1 NPO 5%		NFO-DI 68	C10Q51C	CCCTO-680	10TCC-Q68
C51	68 NPO 10%		BPD-001	C10Q68C	CCD-102	5HK-S10
C52	.001 1000V		BPD-001	BYA10S1	CCD-103	5HK-S10
C53	.01		BPD-001	BYA10D1	CCD-102	5HK-D10
C54	.001		1468-00047	BYA10S1	VCN-20-471	5HK-S10
C55	470 1000V		BFD-01	BYA10S1	CCD-103	
C56	.01		EF-001	CT-280	CT-280	
C57	.001		EF-001	CT-280	CT-280	
C58	.001		EF-001	CT-280	CT-280	
C59	.001		EF-001	CT-280	CT-280	
C60	.001		EF-001	CT-280	CT-280	
C61	.25 600V 10%		F668N-25	MP6P25	GEM-6025	6PS-P25
C62	.01 1500V			HVE16S1	16CP-4-103	BL-S10
C63	.01 1500V			HVE16S1	16CP-4-103	BL-S10
C64	1mid 100V		P288N-1.0	MP2W1	1DP-5-105	BL-S10
C65	.01 1500V			HVE16S1	16CP-4-103	BL-S10
C66	.01 1500V			HVE16S1	16CP-4-103	BL-S10
C67	.001		EF-001	CT-280	CT-280	
C68	.001		EF-001	CT-280	CT-280	
C69	.01		BPD-01	BYA10S1	CCD-103	5HK-S10

Conset Part Number.

CONTROLS

All wattages 1/2 watt, or less, unless otherwise listed.

ITEM No.	USE	RESIST-ANCE	REPLACEMENT DATA			
			CONSET PART No.	CORNELL-DUBILIER PART No.	ELMENCO PART No.	SPRAGUE PART No.
R1	Volume & Switch	250K	052-081	B-51, KR-1, or (F2-250, KR-1, SU204)	CLAROSTAT	Q13-130, 76-1, or (UA54A, US-41, GC*)
R2	Squelch	500K	052-082A	B-59, or (F1-500K, SU204)	CLAROSTAT	Q11-133, or (BU1, U50, or UA55L, CF16, SSI, DC)*

* 'SNAPTROL'

PARTS LIST AND DESCRIPTION (CONTINUED)

RESISTORS

All wattages 1/2 watt, or less, unless otherwise listed.

ITEM No.	RATING		REPLACEMENT DATA		REPLACEMENT DATA	
	ITEM No.	WORKMAN PART No.	IRC PART No.	REMARKS	IRC PART No.	WORKMAN PART No.
R3	91meg					
R4	22K					
R5	1meg					
R6	2200Ω					
R7	68K					
R8	100K					
R9	10K 1W					
R10	1000Ω					
R11	1meg					
R12	2.2meg					
R13	22K					
R14	27K 1W					
R15	100K					
R16	10K					
R17	68K					
R18	82Ω					
R19	470K					
R20	1meg					
R21	150K					
R22	10K					
R23	68K					

COILS (RF-IF)

* Used in early versions.

ITEM No.	USE	REPLACEMENT DATA				NOTES
		Merit PART No.	Miller PART No.	Stancor PART No.	Workman PART No.	
L1	RF (.56uh)	TV-239	4588	RTC-8513	T958	
L2	Indicator Shunt					
L3	Final					
L4	RF (5.6uh)	BC-565	4609	RTC-8519	T959	
L5	Rec. RF				T216	
L6	1650KC IF					
L7	Rec. Osc.					
L8	1st 455KC IF					
L9	2nd 455KC IF					
L10	3rd 455KC IF					
L11	Rec. Osc. Choke					
L12	Trans. Osc Choke					
L13	Osc. Doubler					
L14	RF (5.6uh)					
L15	RF (.47uh)					
L16	RF (.5uh)					
L17	Hash Choke (4uh)					

TRANSFORMER (POWER)

ITEM No.	RATING	REPLACEMENT DATA			NOTES
		Merit PART No.	STANCOR PART No.	THORDARSON PART No.	
T1	117VAC @ 115VAC @ 12.6VAC .65A (.65A) * (or) 12.6VDC @ 5A (5.2A) *	271-068E (271-071C) Ⓛ			* Transmit Ⓛ Alternate Part Number.

TRANSFORMER (AUDIO OUTPUT)

ITEM No.	IMPEDANCE	REPLACEMENT DATA			NOTES
		Merit PART No.	Stancor PART No.	Triad PART No.	
T2	11000Ω Tap @ 36000Ω	273-016			

SPEAKER

ITEM No.	TYPE	REPLACEMENT DATA		NOTES
		CONSET PART No.	QUAM PART No.	
SP1	3" x 5" PM	152-023	35A05	

COMPONENT COMBINATIONS

ITEM No.	USE	DESCRIPTION	CONSET PART No.	REPLACEMENT DATA
K1	Det. -Squeech Net	(3) 100mmf, .01mfd, (2) 220K, (3) 1meg		

VIBRATOR

ITEM No.	TYPE	INPUT VOLTS	FREQUENCY	REPLACEMENT DATA		NOTES
				CONSET PART No.	MALLORY PART No.	
M1	Interrupter	12	115%	117-003	G-1601	Model G-14 (3430)
	Interrupter	6	115%	117-008	1601	Model G-14 (3433)

FUSES

ITEM No.	TYPE	RATING	REPLACEMENT DATA			BUSS PART No.
			CONSET PART No.	HOLDER	LITTLEFUSE PART No.	
M2	3AG S/B	1A 125V	482-055		313001 (3AG 1A 125V) S/B	MDL1
M3	3AG S/B	1A 125V	482-055		313001 (3AG 1A 125V) S/B	MDL1
M4	3AG	10A 32V	482-007 Ⓛ		311010 (3AG 10A 32V)	AGC 10
	3AG	20A 32V	482-008 Ⓛ		307020 (3AG 20A 32V)	AGC 20

Ⓛ Model G-14 (3430) only.
Ⓛ Model G-14 (3433) only.

MISCELLANEOUS

ITEM No.	PART NAME	CONSET PART No.	NOTES
M5	Crystal		
M6	Crystal Switch	171-096C	Receive Transmitter Channel Selector (Rotary Water Type)
M7	Relay, 12V	111-091	Receive-Transmit
M8	Relay, 6V	111-090	Receive-Transmit
	Microphone	118-021	Ceramic
	Power Cable	678-031	AC
	Power Cable	678-030	12 Volt DC
	Power Cable	678-032	6 Volt DC

CABINETS & CABINET PARTS

(When Ordering Cabinets & Cabinet Parts, Specify Model, Chassis & Color)

NAME	PART NO.	DESCRIPTION
Knob	211-071	Small
Knob	211-073	Large
Cabinet	465-066A	
Front Panel	441-037	