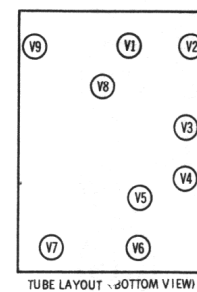
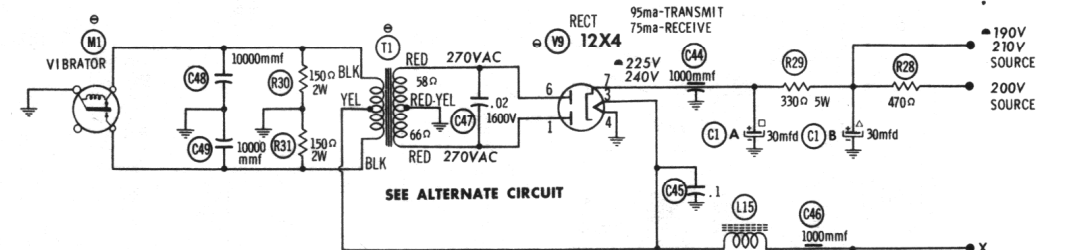


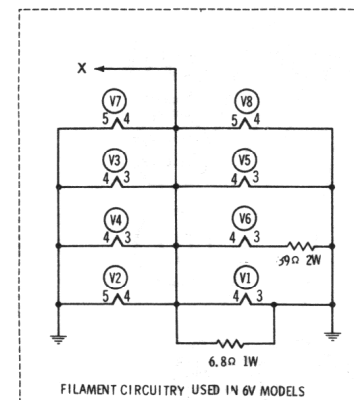
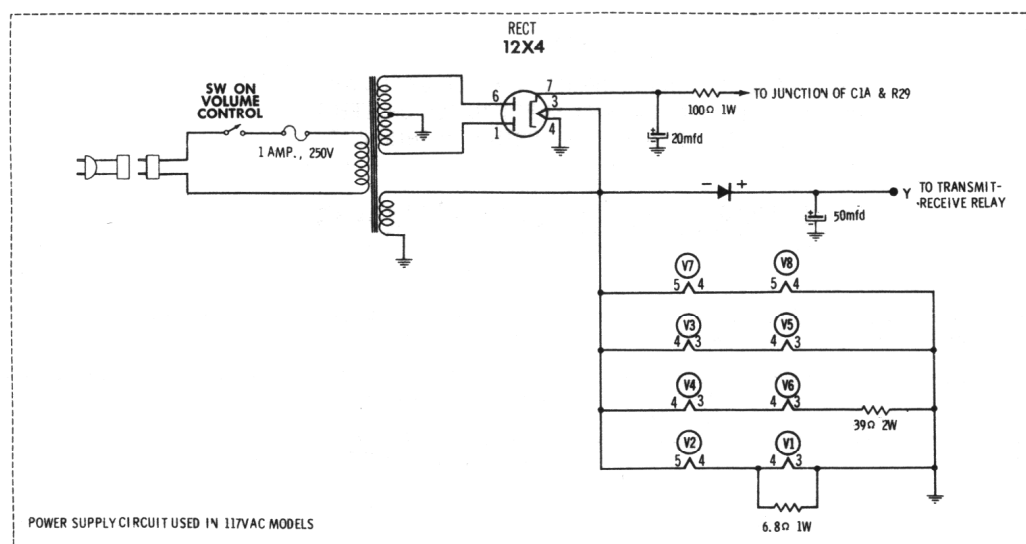
- DC voltage measurements taken with vacuum tube voltmeter; AC voltages measured with 1000 ohm per volt voltmeter.
- Socket connections are shown as bottom views.
- Measured values are from socket pin to common ground.
- Line voltage maintained at 117 volts for voltage readings.
- Nominal tolerance of component values makes possible a variation of ±15% in voltage and resistance readings.
- All controls at minimum, proper output load connected.



SEE PARTS LIST FOR ALTERNATE VALUE OR APPLICATION

DC COIL RESISTANCE VALUES UNDER ONE OHM NOT SHOWN ON SCHEMATIC DIAGRAM

ARROWS ON CONTROLS INDICATE CLOCKWISE ROTATION (CONTROL VIEWED FROM SHAFT END)



ITEM	TUBE	RESISTANCE READINGS								
		Pin 1	Pin 2	Pin 3	Pin 4	Pin 5	Pin 6	Pin 7	Pin 8	Pin 9
V1	6AU6	3.5 meg	0 Ω	0 Ω	1 Ω	1800 Ω	147K	0 Ω		
V2	6U8A	†10K	1 meg	†68K	1 Ω	2 Ω	†800 Ω	0 Ω	0 Ω	100K
V3	6BA6	3.5 meg	0 Ω	1 Ω	2 Ω	†930 Ω	†100K	0 Ω		
V4	6BA6	1.6 meg	0 Ω	.1 Ω	2 Ω	†10K	†10K	0 Ω		
V5	6AV6	2.2 meg	0 Ω	0 Ω	1 Ω	440K	3.5 meg	†270K		
V6	6AL5	2.4 meg	†1.1 meg	3 Ω	1 Ω	1.3 meg	0 Ω	220K		
V7	6BQ5	NC	760K	150 Ω	1 Ω	2 Ω	NC	†480 Ω	NC	†2500 Ω
V8	6CX8	0 Ω	47K	†800 Ω	0 Ω	1 Ω	0 Ω	2700 Ω	†5200 Ω	†480 Ω
V9	12X4	66 Ω	NC	NC	0 Ω	NC	58 Ω	†		

ALL MEASUREMENTS MADE IN "RECEIVE" POSITION UNLESS OTHERWISE DESIGNATED.
 † MEASURED IN "TRANSMIT" POSITION.
 ‡ MEASURED FROM PIN 7 OF V9.
 § THIS READING WILL VARY DEPENDING UPON THE CONDITION OF THE ELECTROLYTIC IN THE CIRCUIT.
 NC NO CONNECTION

NUMBERS ASSIGNED TO COILS, SWITCHES, PLUGS, SOCKETS, AND TRANSFORMERS ARE TO FACILITATE CIRCUIT TRACING OR COMPONENT REPLACEMENT AND MAY NOT NECESSARILY BE FOUND ON THE UNIT.