

This Manual is provided by
CBTricks.com

Someone who wanted to help you repair your equipment
scanned this manual.

If you would like to help us put more manuals online support us.

Supporters of CBTricks.com paid for the hosting so you would have this file.

CBTricks.com is a non-commercial personal website was created to help promote the exchange of service, modification, technically oriented information, and historical information aimed at the Citizens Band, GMRS (CB "A" Band), MURS, Amateur Radios and RF Amps.

CBTricks.com is not sponsored by or connected to any Retailer, Radio, Antenna Manufacturer or Amp Manufacturer, or affiliated with any site links shown in the links database. The use of product or company names on my web site is not endorsement of that product or company.

If your company would like to provide technical information to be featured on this site I will put up on the site as long as I can do it in a non-commercial way.

The site is supported with donation from users, friends and selling of the Galaxy Service Manual CD to cover some of the costs of having this website on the Internet instead of relying on banner ads, pop-up ads, commercial links, etc. to pay my costs. Thus I do not accept advertising banners or pop-up/pop-under advertising or other marketing/sales links or gimmicks on my website.

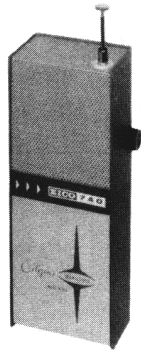
ALL the money from donations is used for CBTricks.com I didn't do all the work to make money (I have a day job). This work was not done for someone else to make money also, for example the ebay CD sellers.

All Trademarks, Logos, and Brand Names are the property of their respective owners.
This information is not provided by, or affiliated in any way with any radio or antenna Manufacturers.
Thank you for any support you can give.



PHOTOFACT[®] with

CIRCUITRACE[®]



TRADE NAME : Eico Model 740

SUPPLIER : Electronic Instrument Co., Inc.
33-00 Northern Blvd.
Long Island City 1, N. Y.

TYPE SET : 9 Transistor Transceiver

POWER SUPPLY : 9.6 VDC (Rechargeable Battery)

RATING : 8MA @ 9.6VDC (Receive, No Signal)
32MA @ 9.6VDC (Transmit, No Modulation)

TUNING RANGE : Any one of CB Channels 1 thru 22

EICO MODEL 740

ALIGNMENT INSTRUCTIONS

ALIGNMENT INSTRUCTIONS—READ CAREFULLY BEFORE ATTEMPTING ALIGNMENT

Suggested Alignment Tools:

A1, A2, A3, A4, A6..... GENERAL CEMENT #8274, 8275, 8728, 8729, 8989
WALSCO #2531, 2532

A5, A7, A8..... GENERAL CEMENT #8282, 8606, 8606-L, 9295, 9440
WALSCO #2526, 2543, 2544, 2545

RECEIVER ALIGNMENT

Connect DC VTVM across volume control.

	SIGNAL GENERATOR	CHANNEL	ADJUST	REMARKS
1.	High side to antenna terminal, common to ground. Tune to 455KC (Unmod.)		A1, A2, A3	Adjust for maximum deflection.
2.	High side to antenna terminal, common to ground. Tune to channel frequency.		A4	Adjust for maximum deflection. Rock A4 to each side of peak, noting rate of dropoff. Set A4 just below peak, on side of gradual dropoff.
3.	"		A5	Adjust for maximum deflection.

TRANSMITTER ALIGNMENT

Best results will be obtained when adjusting A8 if the antenna normally used is connected and the unit is as nearly in the cabinet as possible.

ONLY THOSE PERSONS PROPERLY LICENSED ARE PERMITTED TO MAKE REPAIRS OR ADJUSTMENTS WHICH MAY RESULT IN ILLEGAL OPERATION. (REFER TO FCC RULES & REGULATIONS PART 19, SUBPART D, SECTION 19.71)

	SPECIAL INSTRUCTIONS	INDICATOR	ADJUST	REMARKS
1.	Connect dummy load or antenna.	Remove jumper wire and connect DC milliammeter between test points. (Refer to capacitor ident. photo.)	A6	Key transmitter. Adjust for a reading of 10ma.
2.	"	"	A7	Key transmitter. Adjust for MINIMUM indication on milliammeter. Remove meter leads and reconnect jumper.
3.	"	RF wattmeter or field strength meter	A8	Key transmitter. Adjust for maximum output.

HOWARD W. SAMS & CO., INC. Indianapolis 6, Indiana

PARTS LIST AND DESCRIPTION

TRANSISTORS

ITEM No.	ORIG. TYPE	USE	REPLACEMENT DATA			NOTES
			DELCO PART No.	GENERAL ELECTRIC PART No.	RCA PART No.	
X1	S065A	Receive Mixer	DS-25	GE-1		PNP
X2	S065A	Receive Oscillator	DS-25	GE-1		PNP
X3	2N1108	1st IF Amplifier	DS-25	GE-1		PNP
X4	R506	2nd IF Amp. -AF Amp.	DS-25	GE-1		PNP
X5	94017 #	Driver-Speech Amp.	DS-26	GE-2	2N406	PNP
X6	94017 #	Output-Modulator	DS-26	GE-2	2N408	PNP
X7	94017 #	Output-Modulator	DS-26	GE-2	2N408	PNP
X8	R425	Transmit Oscillator	DS-25	GE-1		PNP
X9	R424-1	Final Amplifier	DS-25	GE-1		PNP

Eico Part Number.

POWER RECTIFIERS & SIGNAL DIODES

ITEM No.	CURRENT RATING (Measured)	ORIGINAL Part or Type No.	RECTIFIERS		DIODES	NOTES
			RCA PART No.	SARKES TARZIAN PART No.		
X10		95002				Detector (1N295)
X11	.020A	93005	1N3194	2F4		

ELECTROLYTIC CAPACITORS

ITEM No.	RATING		EICO PART No.	REPLACEMENT DATA					
	CAP.	VOLT.		AEROVOX PART No.	CORNELL-DUBILIER PART No.	GENERAL ELECTRIC PART No.	MALLORY PART No.	PYRAMID PART No.	SPRAGUE PART No.
C1	10	12	23500	BCD12010	ECPB408	MTI-5	TT12X10	MLV10-12	VL-1127
C2	100	6	23501	BCD6100	ECPB117	MTI-18		MLV100-6	
C3	10	12	23500	BCD12010	ECPB408	MTI-5	TT12X10	MLV10-12	VL-1127
C4	10	12	23500	BCD12010	ECPB408	MTI-5	TT12X10	MLV10-12	VL-1127
C5	100	6	23501	BCD6100	ECPB117	MTI-18		MLV100-6	
C6	10	12	23500	BCD12010	ECPB408	MTI-5	TT12X10	MLV10-12	VL-1127
C7	100	12	23502	BCD12100					

FIXED CAPACITORS

ITEM No.	RATING	REMARKS	REPLACEMENT DATA					
			AEROVOX PART No.	CENTRALAB PART No.	CORNELL-DUBILIER PART No.	ELMENCO PART No.	MALLORY PART No.	SPRAGUE PART No.
C8	.01		TTD-01	CK-103	H05S1		TA-110	TG-S10
C9	.01		TTD-01	CK-103	H05S1		TA-110	TG-S10
C10	33 5%		ADM-15-330	TCZ-33	C10Q33C	CM-15-330J		1FM-433
C11	.1		TTD-1	CK-104	H05P1			TG-P10
C12	.05		TTD-05	CK-503	H05S5			TG-S50
C13	.01		TTD-01	CK-103	H05S1		TA-110	TG-S10
C14	.01		TTD-01	CK-103	H05S1		TA-110	TG-S10
C15	.05		TTD-05	CK-503	H05S5			TG-S50
C16	.1		TTD-1	CK-104	H05P1			TG-P10
C17	.01		TTD-01	CK-103	H05S1		TA-110	TG-S10
C18	.1		TTD-1	CK-104	H05P1			TG-P10
C19	.05		TTD-05	CK-503	H05S5			TG-S50
C20	.1		TTD-1	CK-104	H05P1			TG-P10
C21	.1		TTD-1	CK-104	H05P1			TG-P10
C22	2200 10%		DI-2200	DD-222		CCD-222	GP222	10TS-D22
C23	2200 10%		DI-2200	DD-222		CCD-222	GP222	10TS-D22
C24	100 N1500 10%		N750-D1 100	DTN-100	C10T1U	CC TN-101	CNT-310	10TCU-T10
C25	.01		TTD-01	CK-103	H05S1		TA-110	TG-S10
C26	.01		TTD-01	CK-103	H05S1		TA-110	TG-S10
C27	50 5%		ADM-15-500	TCZ-50	C10Q5U	CM-15-500J		1FM-45
C28	330 10%		DI-330	DD-331	L10T33	CCD-331	GP333	10TS-T33
C29	.05		TTD-05	CK-503	H05S5			TG-S50
C30	.1		TTD-1	CK-104	H05P1			TG-P10

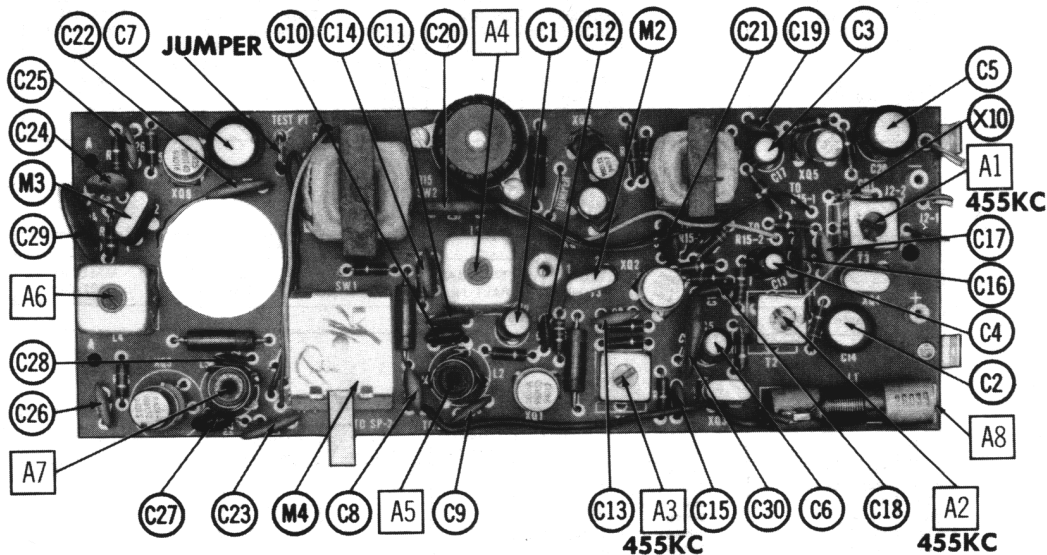
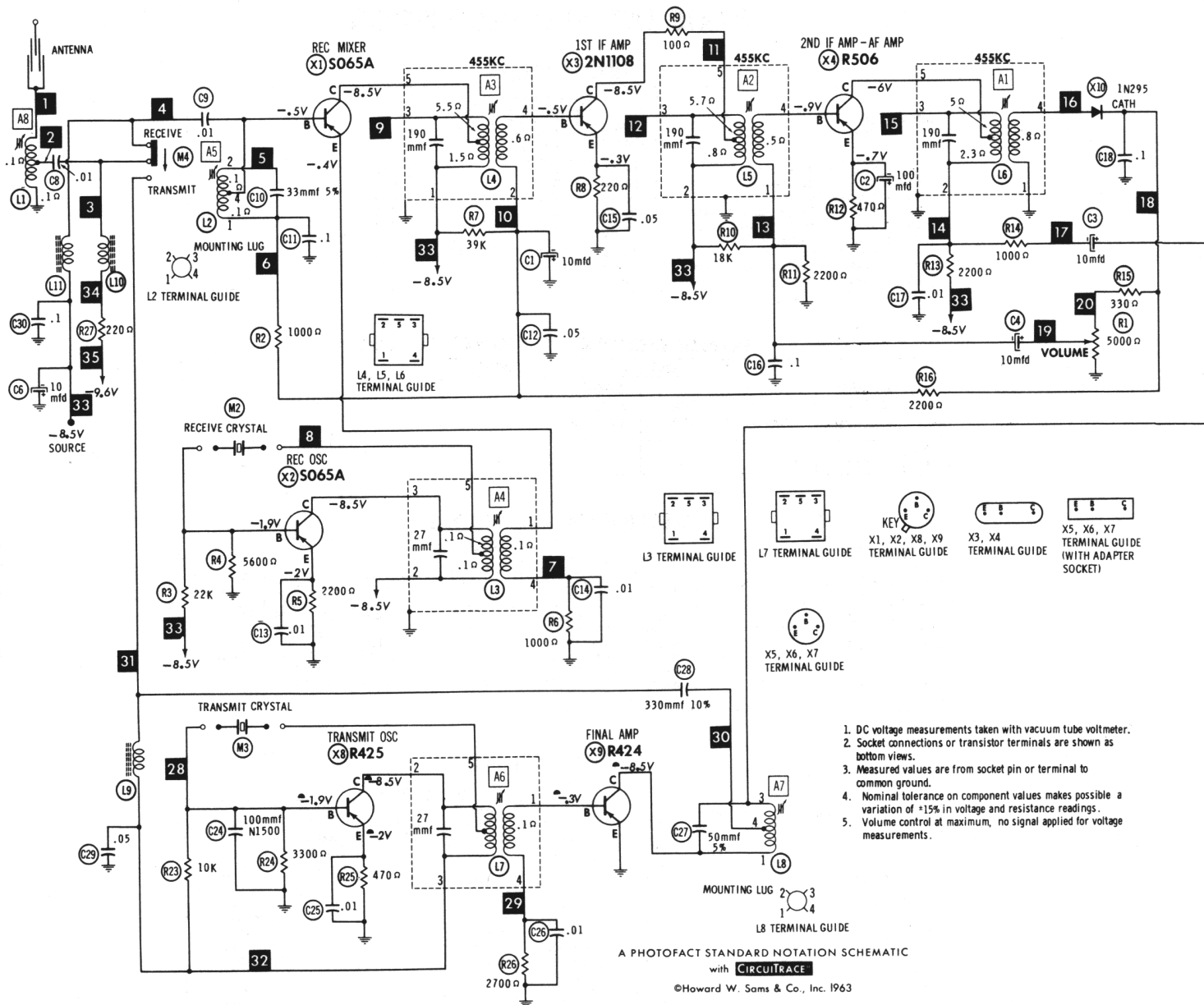
CONTROLS

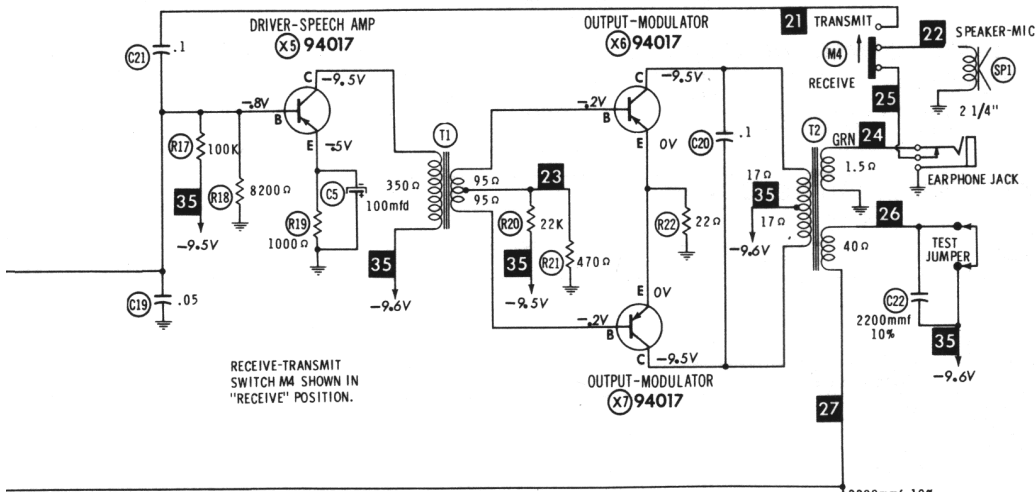
All wattages 1/2 watt, or less, unless otherwise listed.

ITEM No.	USE	RESISTANCE	REPLACEMENT DATA				
			EICO PART No.	CENTRALAB PART No.	CLAROSTAT PART No.	CTS-IRC PART No.	MALLORY PART No.
R1	Volume & Switch	5000Ω	16021	B16-214			

COILS (RF-IF)

ITEM No.	USE	REPLACEMENT DATA					NOTES
		EICO PART No.	Merit PART No.	Miller PART No.	Stancor PART No.	Workman PART No.	
L1	Ant. Load	36039					
L2	Mixer Base	36038					
L3	Rec. Osc.	36035					
L4	1st IF	34628					
L5	2nd IF	34629	BC-575				
L6	3rd IF	34630	BC-576				
L7	Transmit Osc.	36036					
L8	Final	36037					
L9	RF Choke	35067					
L10	RF Choke	35067					
L11	RF Choke	35067					



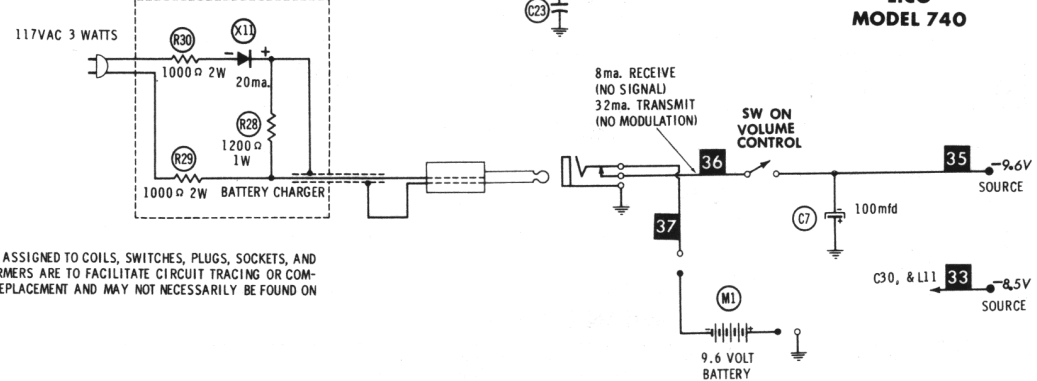


RESISTANCE READINGS

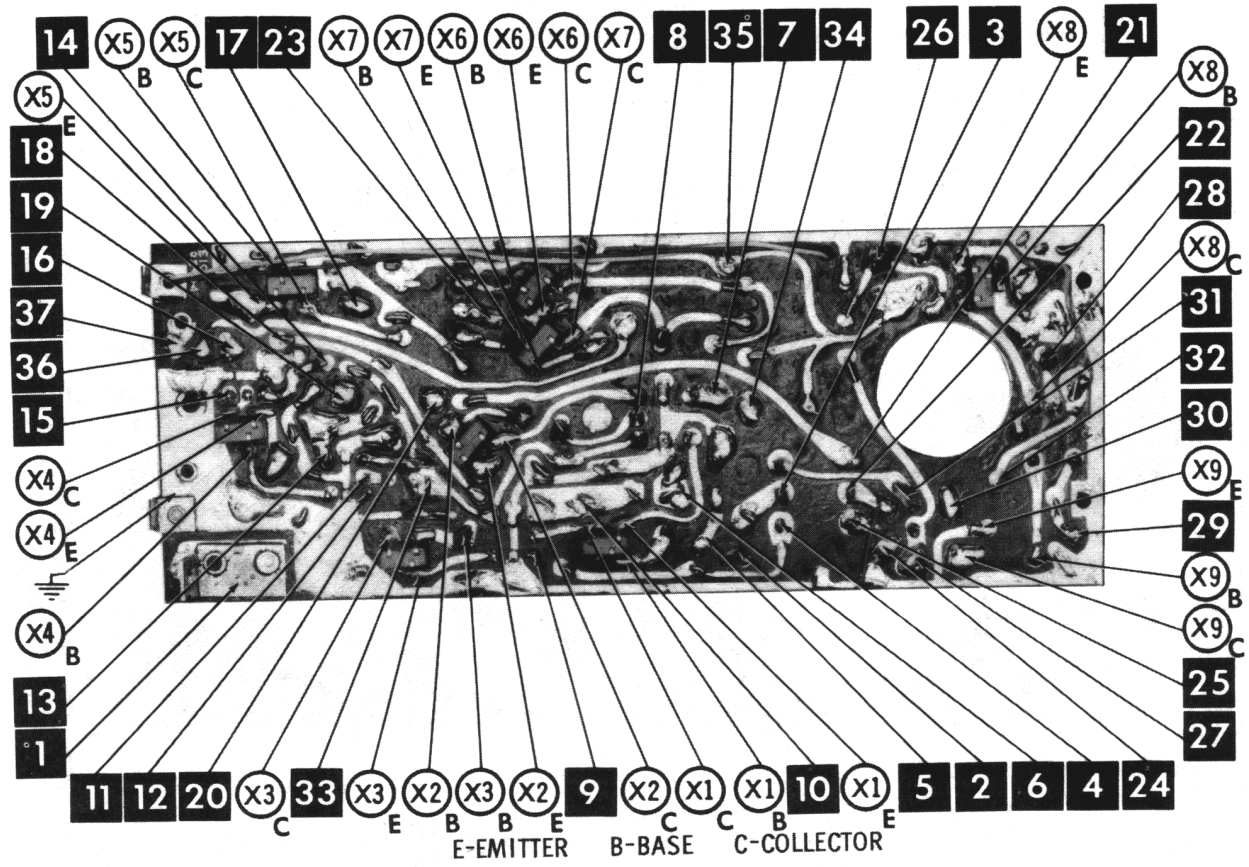
ITEM	TYPE	BASE	EMITTER	COLLECTOR
X1	S065A	7500 Ω	1000 Ω	†220 Ω
X2	S065A	†22K 5600 Ω	2200 Ω	†220 Ω
X3	2N1108	†39K 7500 Ω	220 Ω	†320 Ω
X4	R506	†18K 2200 Ω	470 Ω	†2400 Ω
X5	94017	†100K 8200 Ω	1000 Ω	†350 Ω
X6	94017	†22K 560 Ω	22 Ω	†17 Ω
X7	94017	†22K 560 Ω	22 Ω	†17 Ω
X8	R425	†10K 3300 Ω	470 Ω	†220 Ω
X9	R424-1	2700 Ω	0 Ω	†40 Ω

ALL READINGS TAKEN IN "RECEIVE" POSITION UNLESS OTHERWISE DESIGNATED.
 • TAKEN IN "TRANSMIT" POSITION.
 † MEASURED FROM CIRCUITRACE #35.

EICO MODEL 740



NUMBERS ASSIGNED TO COILS, SWITCHES, PLUGS, SOCKETS, AND TRANSFORMERS ARE TO FACILITATE CIRCUIT TRACING OR COMPONENT REPLACEMENT AND MAY NOT NECESSARILY BE FOUND ON THE UNIT.



PARTS LIST AND DESCRIPTION (CONTINUED)

TRANSFORMER (DRIVER)

ITEM No.	TURNS RATIO		REPLACEMENT DATA				NOTES
			EICO PART No.	MERIT PART No.	STANCOR PART No.	THORDARSON PART No.	
	PRI.	SEC.					
T1	1.8	1	32027				

TRANSFORMER (AUDIO OUTPUT)

ITEM No.	IMPEDANCE		REPLACEMENT DATA				NOTES
			EICO PART No.	Merit PART No.	Stancor PART No.	Thordarson PART No.	
	PRI.	SEC. 1					
T2	500Ω	6-8Ω	32028				
		SEC. 2					
		500Ω					

SPEAKER

ITEM No.	TYPE			REPLACEMENT DATA		NOTES
				EICO PART No.	QUAM PART No.	
	SIZE	FIELD	V. C. IMP.			
SP1	2 1/4"	PM	6-8Ω	55015		

BATTERIES

ITEM No.	VOLTAGE	EICO PART No.	REPLACEMENT DATA			NOTES
			BURGESS	EVEREADY	MALLORY	
MI	9.6V	56005				

MISCELLANEOUS

ITEM No.	PART NAME	EICO PART No.	NOTES
M2	Crystal	49046	Receive (Specify Channel & Frequency Desired)
M3	Crystal	49045	Transmit (Specify Channel & Frequency Desired)
M4	Switch	64003	Receive-Transmit
	Printed Board	82504	
	Antenna	99003	

WIRING DATA

General-use Hook-up Wire Use BELDEN No. 8530 (Solid) Available in 12 Colors
 8524 (Stranded) Available in 12 Colors
 Shielded Antenna Lead Use BELDEN No. 8214 Lowest Loss (RG-8/U Type)
 8237 Low Loss (RG-8/U)
 8240 (Solid) Miniature (RG-58/U)
 8259 (Stranded) Miniature (RG-58A/U)
 Coiled Microphone Cable Use BELDEN No. 8499 Single Conductor Shielded (Neoprene)
 8498 Single Conductor Shielded (Vinyl)
 Ignition Noise Suppression Use BELDEN No. 7300-Series Spark-Plug Sets
 Bonding Strap Use BELDEN No. 8661 (3/8 In.)

