

This Manual is provided by
CBTricks.com

Someone who wanted to help you repair your equipment
scanned this manual.

If you would like to help us put more manuals online support us.

Supporters of CBTricks.com paid for the hosting so you would have this file.

CBTricks.com is a non-commercial personal website was created to help promote the exchange of service, modification, technically oriented information, and historical information aimed at the Citizens Band, GMRS (CB "A" Band), MURS, Amateur Radios and RF Amps.

CBTricks.com is not sponsored by or connected to any Retailer, Radio, Antenna Manufacturer or Amp Manufacturer, or affiliated with any site links shown in the links database. The use of product or company names on my web site is not endorsement of that product or company.

If your company would like to provide technical information to be featured on this site I will put up on the site as long as I can do it in a non-commercial way.

The site is supported with donation from users, friends and selling of the Galaxy Service Manual CD to cover some of the costs of having this website on the Internet instead of relying on banner ads, pop-up ads, commercial links, etc. to pay my costs. Thus I do not accept advertising banners or pop-up/pop-under advertising or other marketing/sales links or gimmicks on my website.

ALL the money from donations is used for CBTricks.com I didn't do all the work to make money (I have a day job). This work was not done for someone else to make money also, for example the ebay CD sellers.

All Trademarks, Logos, and Brand Names are the property of their respective owners.
This information is not provided by, or affiliated in any way with any radio or antenna Manufacturers.
Thank you for any support you can give.

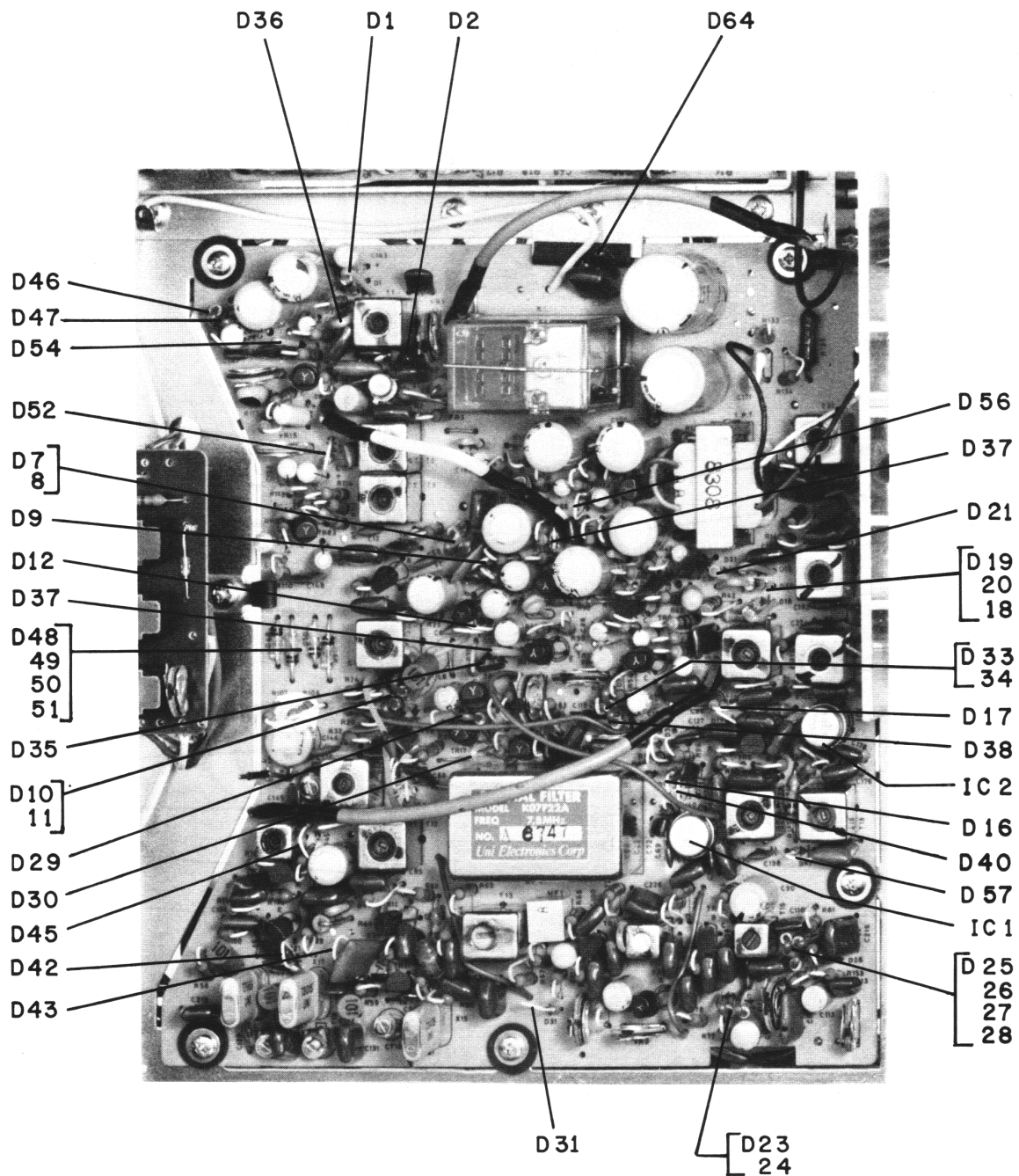


FIGURE 8, DIODES AND INTEGRATED CIRCUITS LOCATION DIAGRAM

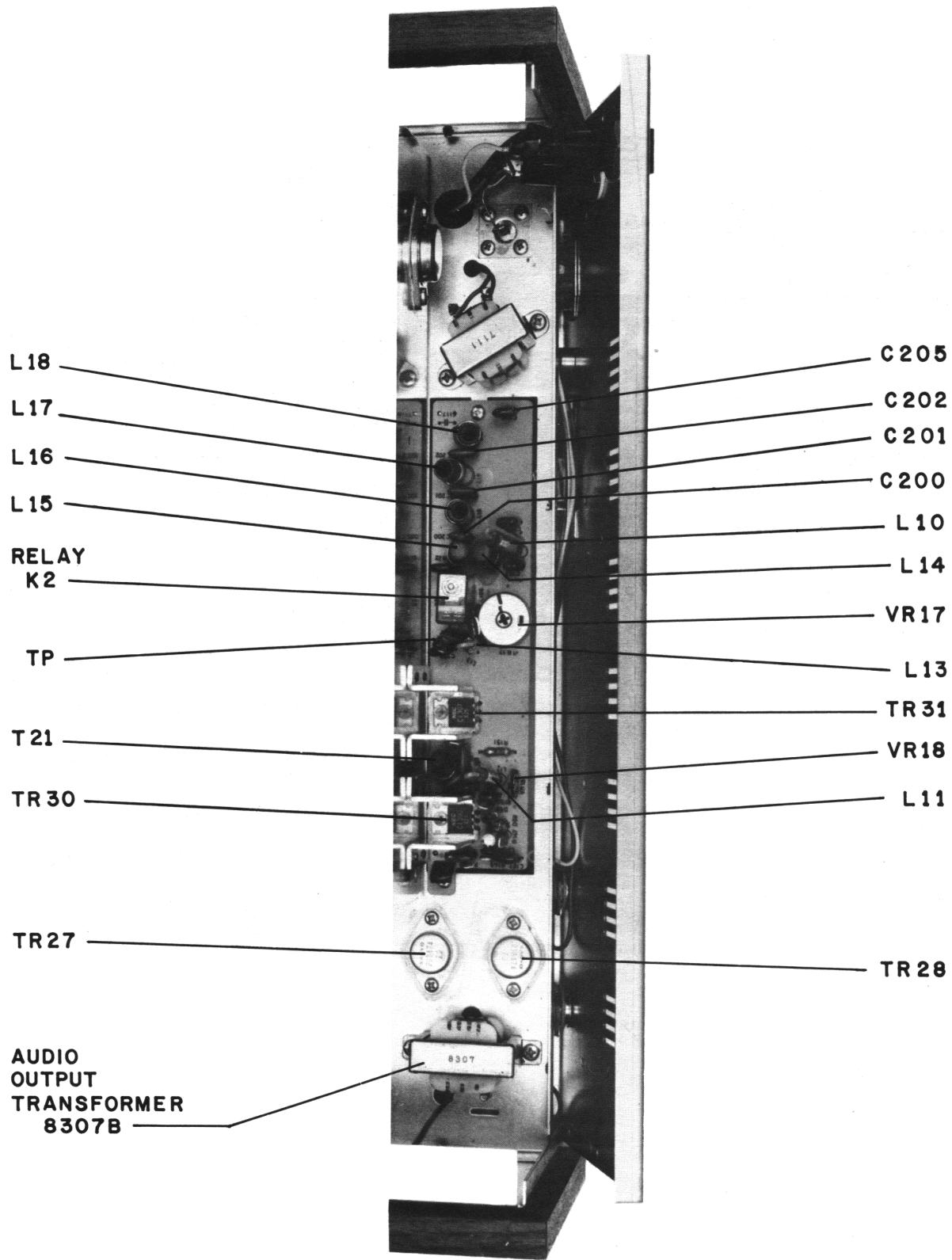


FIGURE 9, REAR SECTION COMPONENT LOCATION DIAGRAM

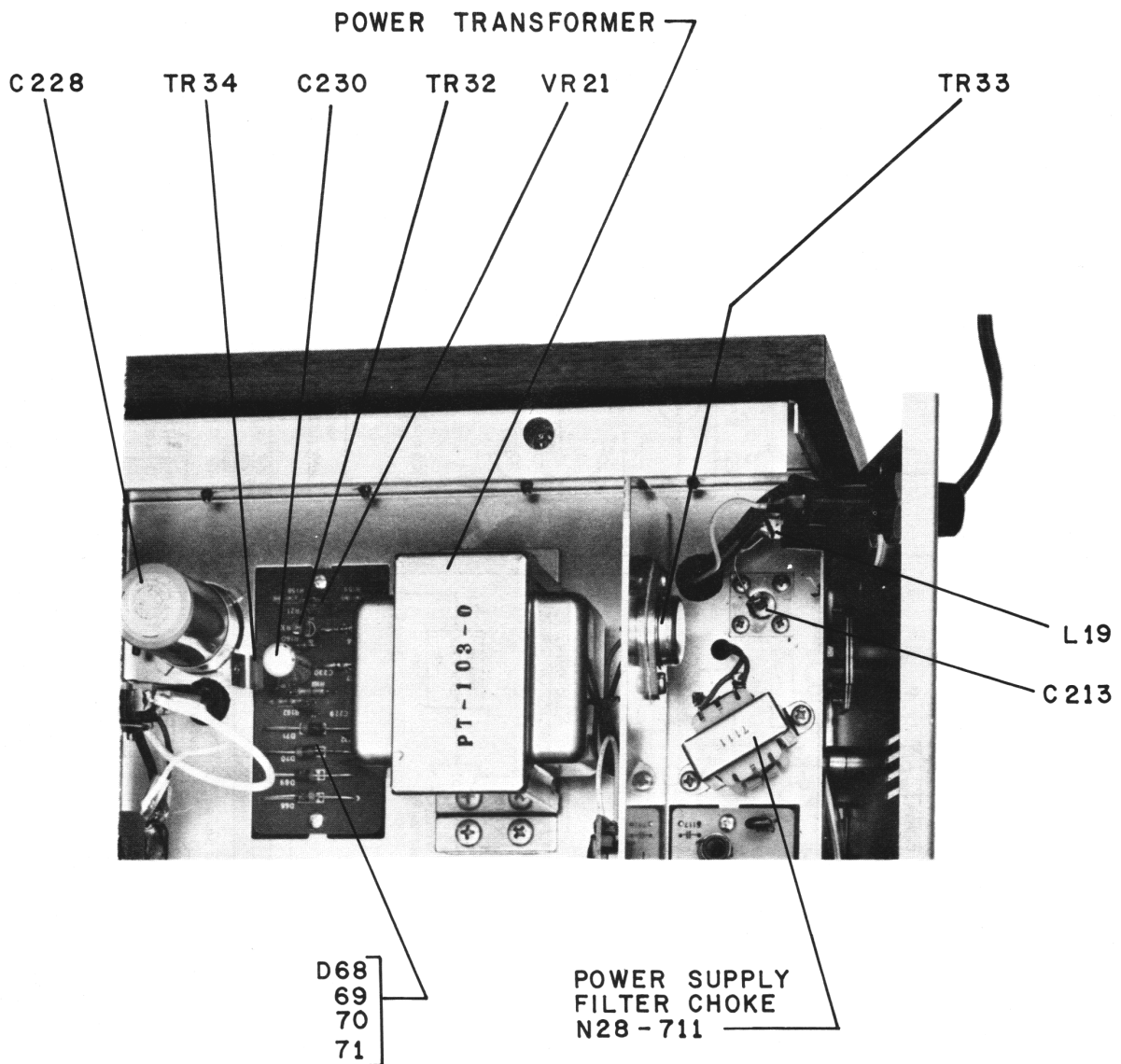


FIGURE 10, POWER SUPPLY COMPONENT LOCATION DIAGRAM

Before making any repairs or adjustments to the power supply section, the instructions for adjustment under "Preliminary Tests", page 11, of the manual should be reviewed.

Verify that the proper AC voltage and frequency, as required for the particular transceiver, is available at the source outlet before inserting the AC power plug.

Low RF power output or erratic operations of other functions may be caused by variations in the AC power voltage (105 to 130 volts) which will have considerable effect on the RF power output if the power supply does not regulate properly.

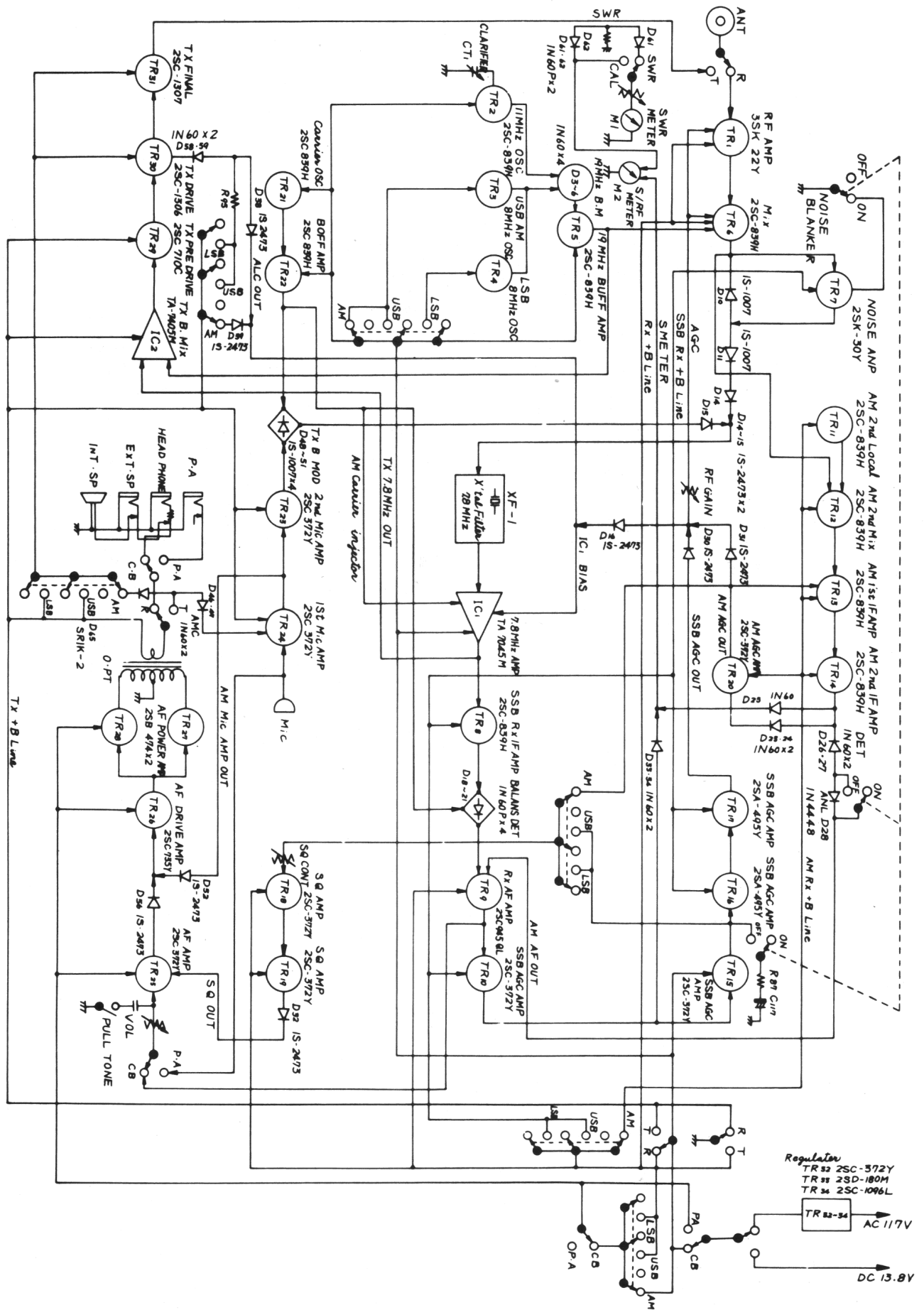


FIGURE II, FUNCTION BLOCK DIAGRAM

REPLACEMENT PARTS LIST

SYMBOL	DESCRIPTION	PART NUMBER
TRANSISTORS		
TR-1	F.E.T. 3SK-22Y	1042-01
TR-7	F.E.T. 2SK-30Y	1042-02
TR-10,15,18,19,20,23 24,25,32	2SC-372Y/2SC945R	1042-03
TR-2,3,4,5,6,8,11,12, 13,14,21,22	2SC-839H	1042-04
TR-9	2SC-945QL	1074-115
TR-26	2SC-735Y	1042-05
TR-16,17	2SA-495Y	1042-06
TR-29	2SC-710C	1042-07
TR-30	2SC-1306	1042-08
TR-31	2SC-1307	1042-09
TR-34	2SC-1096L	1074-116
TR-33	2SD-180M	1074-117
TR-27,28	2SB-474V10	1042-10
INTEGRATED CIRCUITS		
IC-1,2	TA-7045M	1042-11
DIODES		
D-3,4,5,6,7,8,23,24 25,26,27,29,33,34,46, 47,58,59,63	IN60	294-42-9
D-18,19,20,21,61,62,1	IN60P	1042-13
D-10,11,48,49,50,51	IS1007	1042-14
D-32,41,39,12,13,14,15, 16,17,30,31,38,40,42, 43,45,52,56,57	IS2473	1074-118
D-9,28	IN4448	1042-16
D-64,65,68,89,70,71	SR1-K2	1074-119
D-36,37,44	BZ-090 Zener	1074-120
D-67	BZ-162 "	1074-121
D-35	WZ-081 "	1074-122
D-66	WZ-061 "	1074-123
D-2	ZE-1.5 "	1074-124
THERMISTORS		
TH1	TD5-C268	1042-21
TH2	TD8A-040	1042-22
D-22,53,54,55	KB-262 Silicon Varistor	1042-23
RF COILS AND TRANSFORMERS		
T-1	TKXC-22019GN Coil, Receiving Antenna	1042-24
T-2,3	TKXC-22017A0 " " RF	1042-25
T-4	TKXN-21017ZV Coil, Balance Mixer 19MHz	1042-26

REPLACEMENT PARTS LIST (continued)

SYMBOL	DESCRIPTION	PART NUMBER
RF COILS AND TRANSFORMERS (continued)		
T-5	TKXN-671 1BM Coil, Balance Mixer 19MHz	1042-27
T-6,7,8	KXN-7611BM " Filter 19MHz	1042-28
T-9	TKAC-22526N " IF 7.8MHz	1042-29
T-10,11,12	TKAC-22015A " IF 7.8MHz	1042-30
T-17	TKAN-221016AO " Balance Modulator	1042-32
T-16	113CC-2894AC " OSC Carrier	1042-33
T-14	LLC-3657 " IF AM 455KHz	1042-34
T-15	LLC-2990A2 " IF AM 455KHz	1042-35
T-18	TKAN-21012ZVI " Transmit A	1042-36
T-19	TKXN-21379UH " Transmit B	1042-37
T-20	TKXN-21014AO " Transmit C	1042-38
T-21	TKXN-22018GN " Transmit D	1042-39
L-1	Coil, TVI Trap 3 1/2t	1042-40
L-2	NS-1531 Coil, Peaking	1042-41
L-10,11,13	NS-1515 " RFC Transmit	1074-01
L-12,14,15	NS-1503 " Filter Transmit	1042-42
L-16,17,18	NS-1503 " Transmit Filter	1042-43
L-19	NS-1516 " Power Choke	1042-44
L-3	3.9uH LF-3R9 Micro Inductor	1042-45
L-4	8.2Uh LF4-8R2 " "	1042-46
L-5	10uH LF4-100 " "	1042-47
L-6,7,8,9	100uH LF-101 " "	1042-48
T-13	MFH-53S Mechanical Filter	1042-49
MF-1	LF-B8 Ceramic Filter	1042-50
INPUT	N24-8308A Input Transformer	1074-02
OUTPUT	N35-8307B MOD Transformer	1074-03
CH	N28-7111H Power Choke Transformer	1074-04
PT	PT-103-0 Power Transformer	1074-05
CAPACITORS		
C-43,47,50,175	6-pfd, 50V, Silvered Mica	1042-144
C-28,36,40,194	40pfd, 50V, "	1042-145
C-182	30pfd, 50V, "	1042-146
C-1,108,224	25pfd, 50V, "	1042-147
C-20,21,22,23,24,25, 26,27	20pfd, 50V, "	1042-148
C-187	15pfd, 50V, "	1042-149
C12,137,138,144,179, 219,96	10pfd, 50V, "	1042-150
C-58	5pfd, 50V, "	1042-151
C-190	4pfd, 50V, "	1042-153
C-142	3pfd, 50V, "	1042-152
C-8,46,49	2pfd, 50V, "	1042-154
C-181	1pfd, 50V, "	1042-155
C-31	150pfd, 50V, Ceramic	1042-156
C-218,209	0.01ufd, 50V, "	1042-157
C-98	500pfd, 50V, Styrol	1042-158
C-59	0.02ufd, 50V, Ceramic	1042-159
C-61,63	01ufd, 50V, "	1042-160

REPLACEMENT PARTS LIST (continued)

SYMBOL	DESCRIPTION	PART NUMBER
CAPACITORS (continued)		
C-64	0.001ufd, 50V, Ceramic	1042-161
C-2,218	0.22ufd, 100V, Mylar	1042-162
C-9,33,41,42,48,52,53, 54,55,56,57,73,74,75, 76,77,78,79,88,94,95, 97,99,100,102,103,104, 105,106,109,115,119,128, 131,139,141,150,159,160, 161,163,176,177,180,183, 184,185,186,191,192,193, 195,196,197,203,204,205, 206,207,211,214,215,216, 217,222,225,226,189,233	0.04ufd, 50V, "	1042-163
C-6,113,172,173,178	0.02ufd, 50V, Mylar	1042-165
C-3,60,65,67,68,80,81, 110,114,123,126,127,145, 147,148,157,167,210,220, 229,231,232,234	0.01ufd, 50V, "	1042-166
C-11	0.005ufd, 50V, "	1042-167
C-4,10,37,44,69,70,71, 72,83,92,130,133,134, 135,227	0.001ufd, 50V, "	1074-39
CT-1	Air Varicon, 50pfd, Maximum	1042-101
CT-20	Semi-fixed Trimmer 150pfd Max.	1042-102
C-123	ECKL1H102PE Tubular	1074-48
C-14,15,16,17,18,19	20pfd, 50V, Temperature Compensating	1074-49
C91,129,132	20pfd, 50V, " "	1074-50
C13	3pfd, 50V, " "	1074-51
C84,155	33ufd, 6.3V, Tantalum	1042-117
C151	10ufd, 6.3V, "	1042-118
C89,152,153,154	4.7ufd, 10V, "	1042-119
C82,87,149,158,162,166	0.1ufd, 16V, "	1042-121
C-7,112	0.1ufd, 25V, Aluminum	1042-122
C-288	2.200ufd, 25V, Electrolytic	1074-37
C-212	1,000ufd, 25V, "	1042-123
C-171	470ufd, 16V, "	1042-124
C-124,165,170,230	220ufd, 16V, "	1042-125
C-164,169	220ufd, 6.3V, "	1042-126
C-156	100ufd, 16V, "	1042-127
C-85,90,125,140	47ufd, 16V, "	1042-128
C-51,62,107,110,221,146	10ufd, 16V, "	1042-129
C-120	22ufd, 16V, "	1074-28
C-117,143,223	4.7ufd, 25V, "	1042-130
C-116	2.2ufd, 16V, "	1042-131
C-66	1ufd, 25V, "	1042-132
C-101	0.47ufd, 50V, "	1042-133
C-174	220ufd, 25V, "	1042-134
C-111	500pfd, 50V, Silvered Mica	1042-135
C-39,200	400pfd, 50V, " "	1042-136
C-201,199	300pfd, 50V, " "	1042-137

REPLACEMENT PARTS LIST (continued)

SYMBOL	DESCRIPTION	PART NUMBER
CAPACITORS, continued		
C-198	250pfd, 50V, Silvered Mica	1042-138
C-188	200pfd, 50V, " "	1042-139
C-5, 32, 93	150pfd, 50V, " "	1042-140
C-202	120pfd, 50V, " "	1042-141
C-24, 34, 35, 38, 45, 136	100pfd, 50V, " "	1042-142
SWITCHES		
S-1	Channel Selector	1042-64
S-2	Mode Selector	1074-14
S-3, 5, 6	AC Power Switch, Noise Blanker PA/CB Selector	1074-15
S-4	AC/DC Selector	1074-126
S-7	SWR/CAL Selector	1074-16
S-8	Relay K1	1042-59
S-9	Relay K2	1074-25
S-10	Selector, Squelch Control	1074-128
MISCELLANEOUS		
CLOCK	120V/60Hz DT-H Digital Clock	1074-06
	NRFO0301-2 Fuse Holder	1074-07
FUSE	Fuse 1 amp	1074-08
FUSE	Fuse 2 amp	1042-104
CT-2, 19	ECV-1ZW20P50 Ceramic Trimmer	1042-53
ANT	MR Connector	1042-54
PA/EXT SPK	AJ319 Jack	1074-09
	SD-0105 Socket, Crystal	1042-56
S.P.	Speaker 121-56 8 ohms	1074-10
	220115-31 Microphone w/hanger	1042-58
S-1, 2, 3, 4, 8	AE-3144 Relay	1042-59
	AE-3144 Socket, Relay	1074-11
DC Power S-4	PC-211 Plug, DC Power Connector	1042-61
DC Power S-4	SC-243, DC Power Connector w/Switch	1074-126
PHONE J	LJ-035 Jack, Headphone	1074-12
MIC J	LJ-101-1 Jack, Microphone 3-Pole	1042-62
S-9, 1, 2	MT-2UNDC14V Sub Miniature Relay	1074-25
Clock Lamp	Pilot Lamp 14V 30ma (red leads)	1074-30
Meter Lamp	" " " " (white leads)	1074-31
TX Lamp	" " " " (blue leads)	1074-32
RX Lamp	" " " " (yellow leads)	1074-33
M-1	A-49 Meter SWR	1074-23
M-2	A-49 Meter S/RF	1074-24
	SVT-1 AC Power Cord UL 6 feet w/plug	1074-36
	NLP-703 Plug	1074-13

REPLACEMENT PARTS LIST (continued)

SYMBOL	DESCRIPTION	PART NUMBER
CRYSTALS		
X-1D	11.000MHz HC25/U	1042-67
X-2E	11.050MHz "	1042-68
X-3F	11.100MHz "	1042-69
X-4I	11.150MHz "	1042-70
X-5H	11.200MHz "	1042-71
X-6G	11.250MHz "	1042-72
X-7J	8.1665MHz "	1042-73
X-8K	8.1765MHz "	1042-74
X-9L	8.1865MHz "	1042-75
X-10M	8.2065MHz "	1042-76
X-11N	8.1635MHz "	1042-77
X-12N	8.1735MHz "	1042-78
X-13X	8.1835MHz "	1042-79
X-14Y	8.2035MHz "	1042-80
X-15C	7.3435MHz "	1042-81
X-16B	7.7985MHz "	1042-82
X-17A	7.8015MHz "	1042-83
XF-1	7.8MHz Crystal Filter KFO7F22F	1042-84
RESISTORS AND CONTROLS		
VR-13	470 ohm, B Control Volume	1042-87
VR-17	60 ohm 2W Wire Semi-fixed	1042-88
VR-16	AF Volume 10K ohm, A	1074-18
VR-10	Squelch 100K ohm, B	1074-19
VR-8	RF Gain Control 10K ohm, B	1074-20
VR-19	CAL Volume 5K ohm, B	1074-21
VR-6	Semi-fixed Volume 500K ohms, B-2	1042-93
VR-9	" " " 300K ohms, B-2	1042-94
VR-1	" " " 100K ohms, B-3	1042-95
VR-5	" " " 100K ohms, B-2	1042-96
VR-4	" " " 20K ohms, B-2	1042-97
R-136	5 ohms 5W Cermet Resistors	1042-169
1/2W R-135	1 ohm Metal Covered Resistor	1042-170
R-165	10 ohms 3W Metal Covered Resistors	1074-40
VR-2,3,7,11,12,14,20	Semi-fixed Volume, 10K ohm B-2	1042-98
VR-15	" " " 5K ohm B-3	1042-99
VR-18	" " " 200 ohm B-2	1042-100
VR-21	" " " 200 ohm B-3	1074-22
HARDWARE		
	Chassis Metal	1074-53
	Back Panel	1074-54

REPLACEMENT PARTS LIST (continued)

SYMBOL	DESCRIPTION	PART NUMBER
HARDWARE, continued		
	Front Chassis w/meter holder; switch bracket and jack bracket	1074-55
	Side Chassis (right)	1074-56
	Side Chassis (left)	1074-57
	Metal Cabinet	1074-58
	Bottom Metal	1074-59
	Heat Sink	1074-60
	Shield Plate	1074-61
	Side Panel Bracket	1074-62
	Side Panel (wood)	1074-63
	Front Plate (Acryl)	1074-64
	Lighting Board	1074-65
	Channel Window (Acryl)	1074-66
	Channel Knob	1074-67
	Volume Knob	1074-68
	Knob for Clock (A)	1074-69
	Knob for Clock (B)	1074-70
	Shade Plate	1074-72
	Bushing for Jack Insulation	1074-87
	Knob Power Switch	1074-92
	Knob Stopper	1074-104
	Lamp Grille	1074-105
	DC Power Cord w/plug	1074-114
	FCC Application Form	FCC-505
	Front Panel (Aluminum)	1074-52

NOTES

STANDARD WARRANTY

Adopted and Recommended by Electronic
Industries Association

FANON/COURIER CORPORATION warrants each new electronic product manufactured by it to be free from defective material and workmanship and agrees to remedy any such defect or to furnish a new part (at the Company's option) in exchange for any part of any unit of its manufacture which under normal installation, use and service disclosed such defect; provided the unit is delivered by the owner to us or to our authorized distributor from whom purchased, or authorized service station, intact, for our examination, with all transportation charges prepaid to our factory, within 90 days from the date of sale to original purchaser and provided that such examination discloses, in our judgment, that it is thus defective.

Written authorization must be obtained before any merchandise is returned to the factory.

This warranty does not extend to any of our electronic products which have been subjected to misuse, neglect, accident, incorrect wiring not our own, improper installation, unauthorized modifications, or to use in violation of instructions furnished by us, nor units which have been repaired or altered outside of our factory, nor to cases where the serial number thereof has been removed, defaced or changed, nor to accessories used therewith not of our own manufacture.

This warranty is in lieu of all warranties expressed or implied and no representative or person is authorized to assume for us any other liability in connection with the sale of our electronic products.

FANON/COURIER CORPORATION



990 SOUTH FAIR OAKS AVENUE
PASADENA, CALIFORNIA 91105
SUBSIDIARY OF
RESEDEL INDUSTRIES