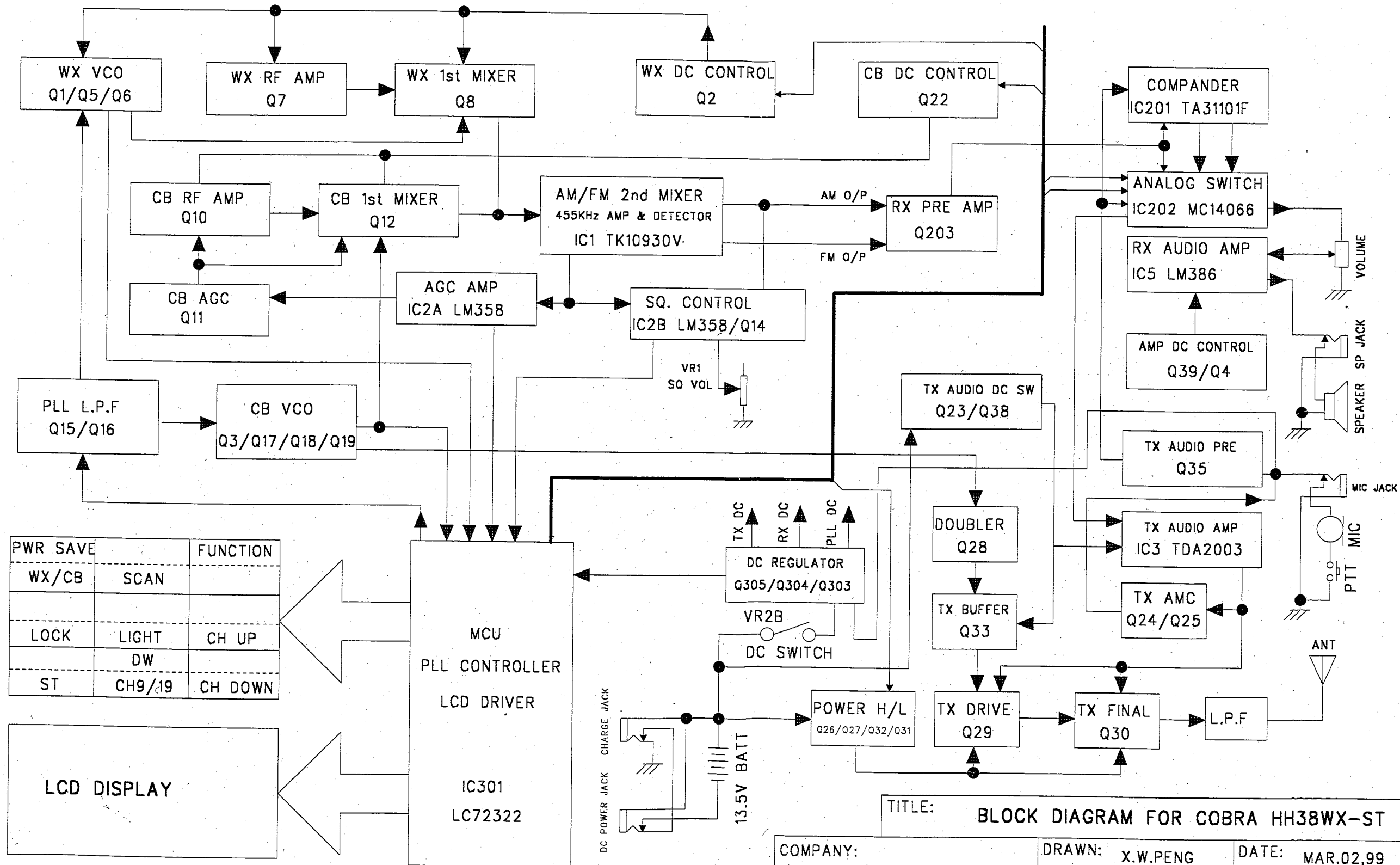


# BLOCK DIAGRAM FOR COBRA HH38WX-ST



TITLE: BLOCK DIAGRAM FOR COBRA HH38WX-ST

COMPANY:	DRAWN: X.W.PENG	DATE: MAR.02,99
Cobra Electronics	APPROVED:	DATE: