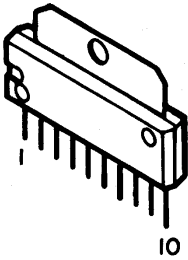
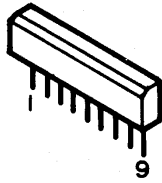


● INTEGRATED CIRCUITS

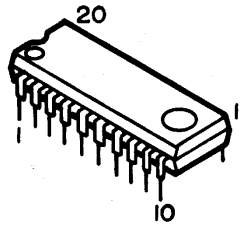
KIA 7217AP



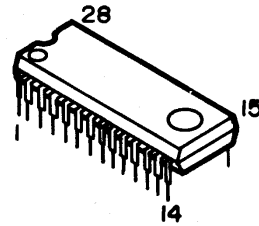
TA7310P OR AN103



LC7131



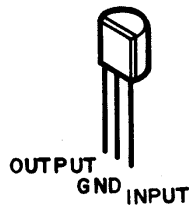
LM6416(E)



TL489 CP



MC78L08CT



● TRANSISTORS

MPS9418
MPS9623
MPS9631
MPS9634
MPS9681



MPS9426



2SC1957 OR
2SC2314



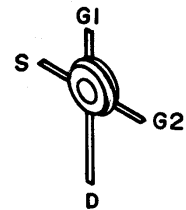
2SC2078 OR
2SC1306



JF1033S

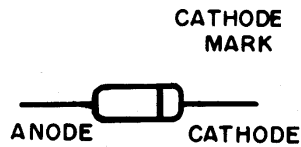


BF 964 A



● DIODES

IN4002
IS 2473
OA 90



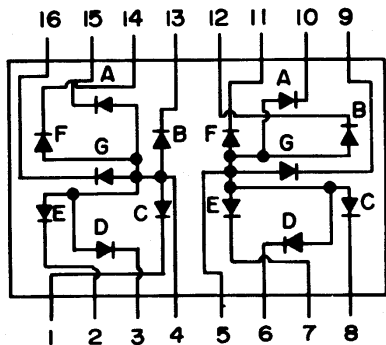
BZX83-C5V6
UZP-8.2B



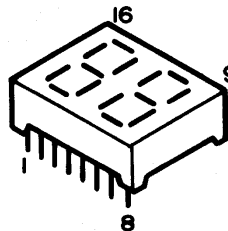
SLB55VR3



MV 2209



LTD-482G-Y

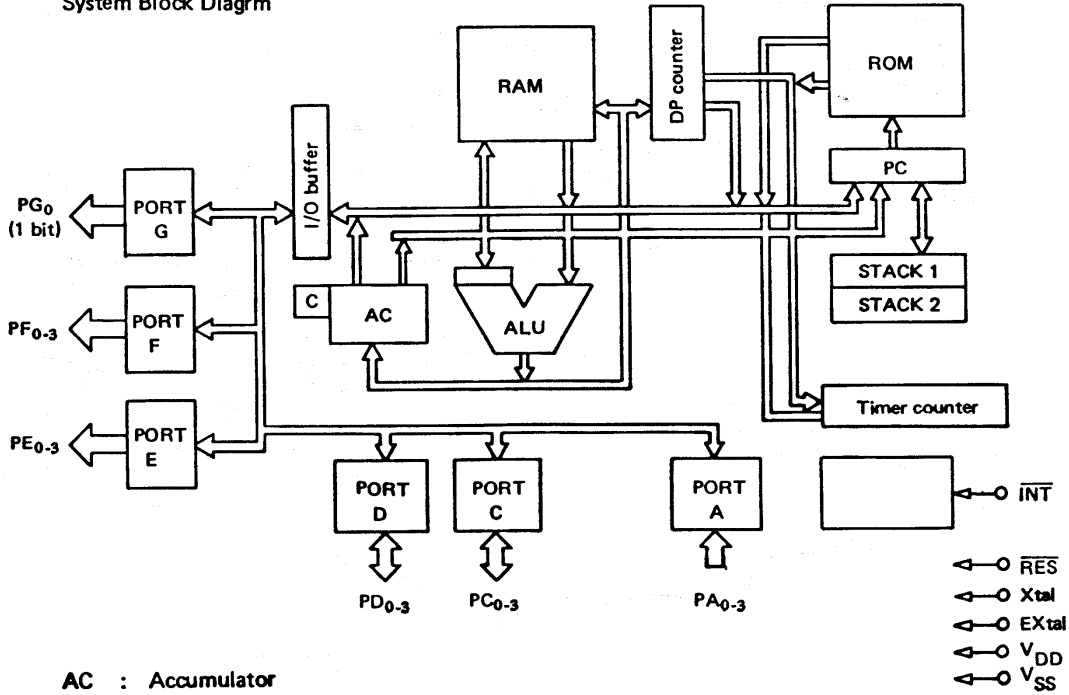


LD-001VR



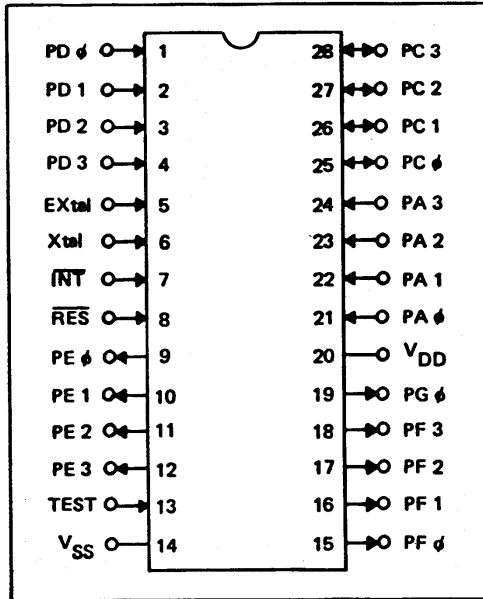
LM6416E

System Block Diagram



- AC : Accumulator
- ALU : Arithmetic and logic unit
- DP : Data pointer
- C : Carry FF
- PC : Program counter

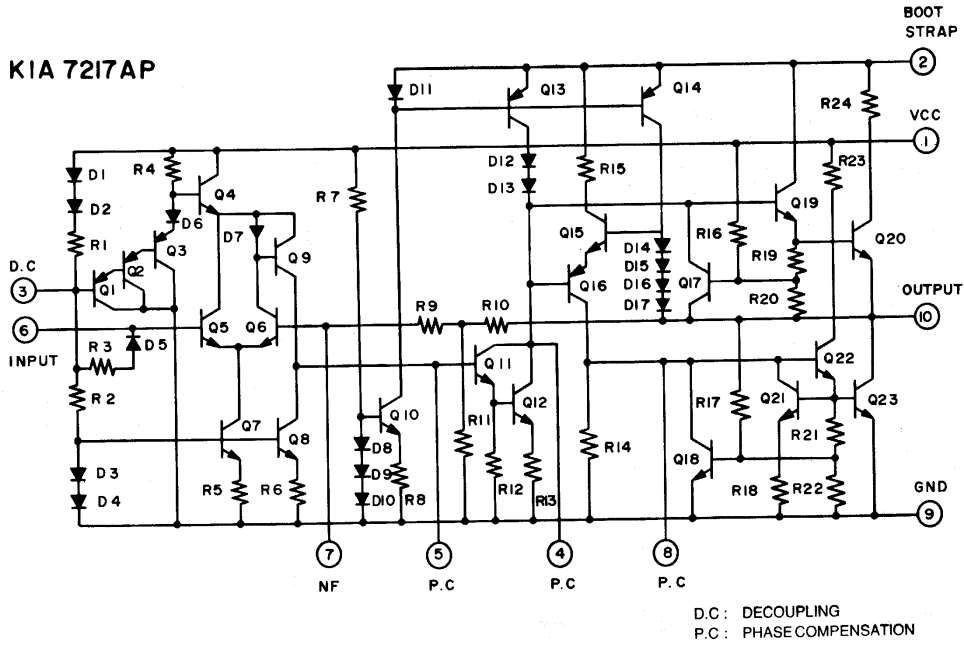
Package and Pin Assignment



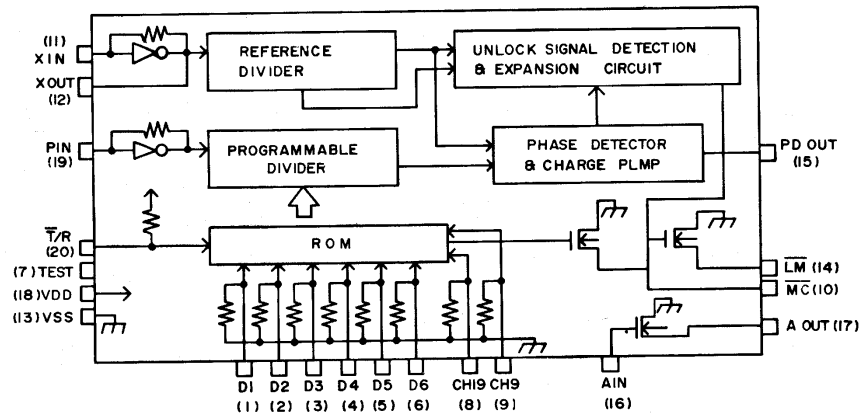
(Pin name)

- Xtal, EXtal : OSC resonator
- INT : Interrupt
- RES : Reset
- PA₀ to 3 : Input ports A₀ to 3
- PC₀ to 3 : Input/output ports C₀ to 3
- PD₀ to 3 : Input/output ports D₀ to 3
- PE₀ to 3 : Output ports E₀ to 3
- PG₀ : Output ports G₀
- TEST : Test

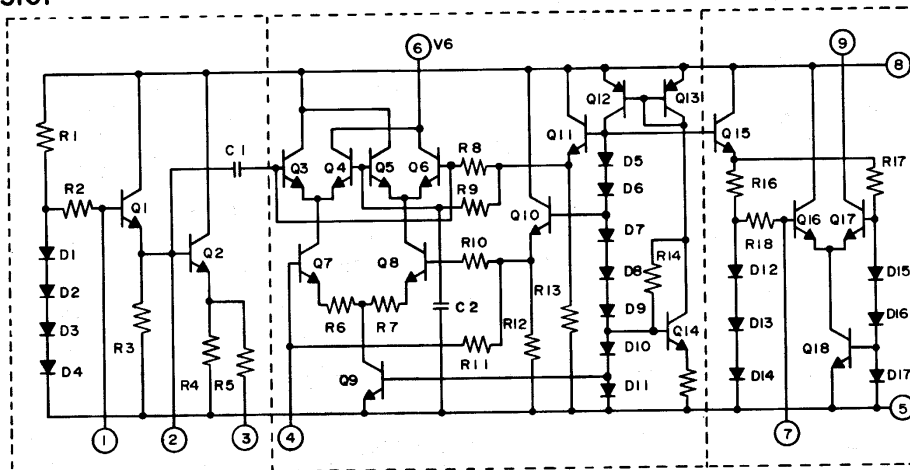
KIA 7217AP



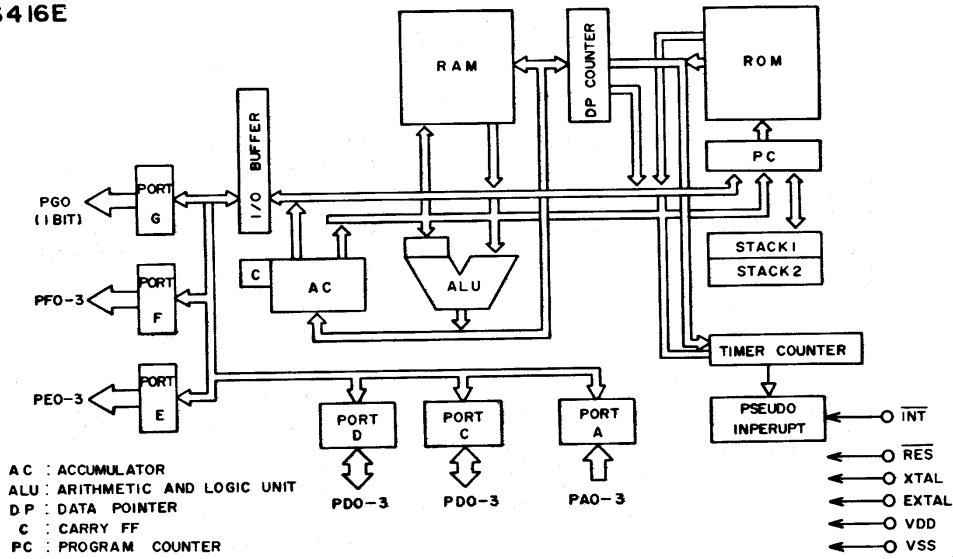
LC 7131



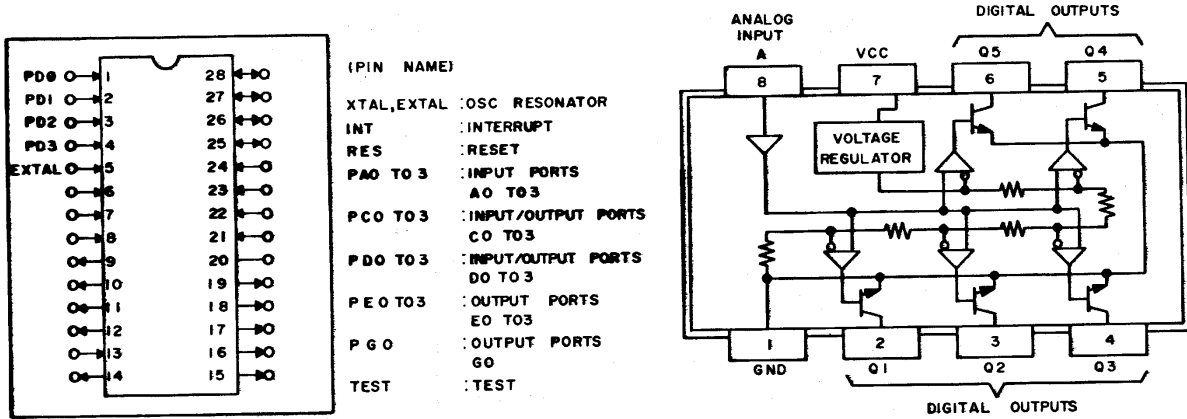
TA7310P



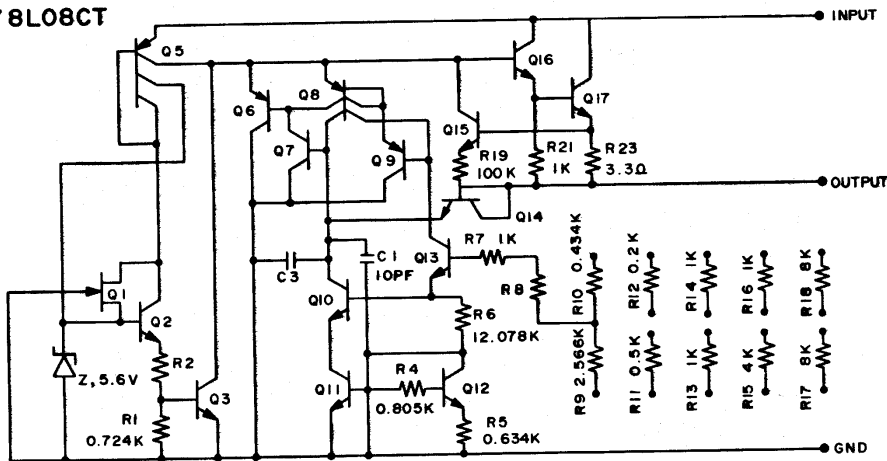
LM 6416E



TL 489CP



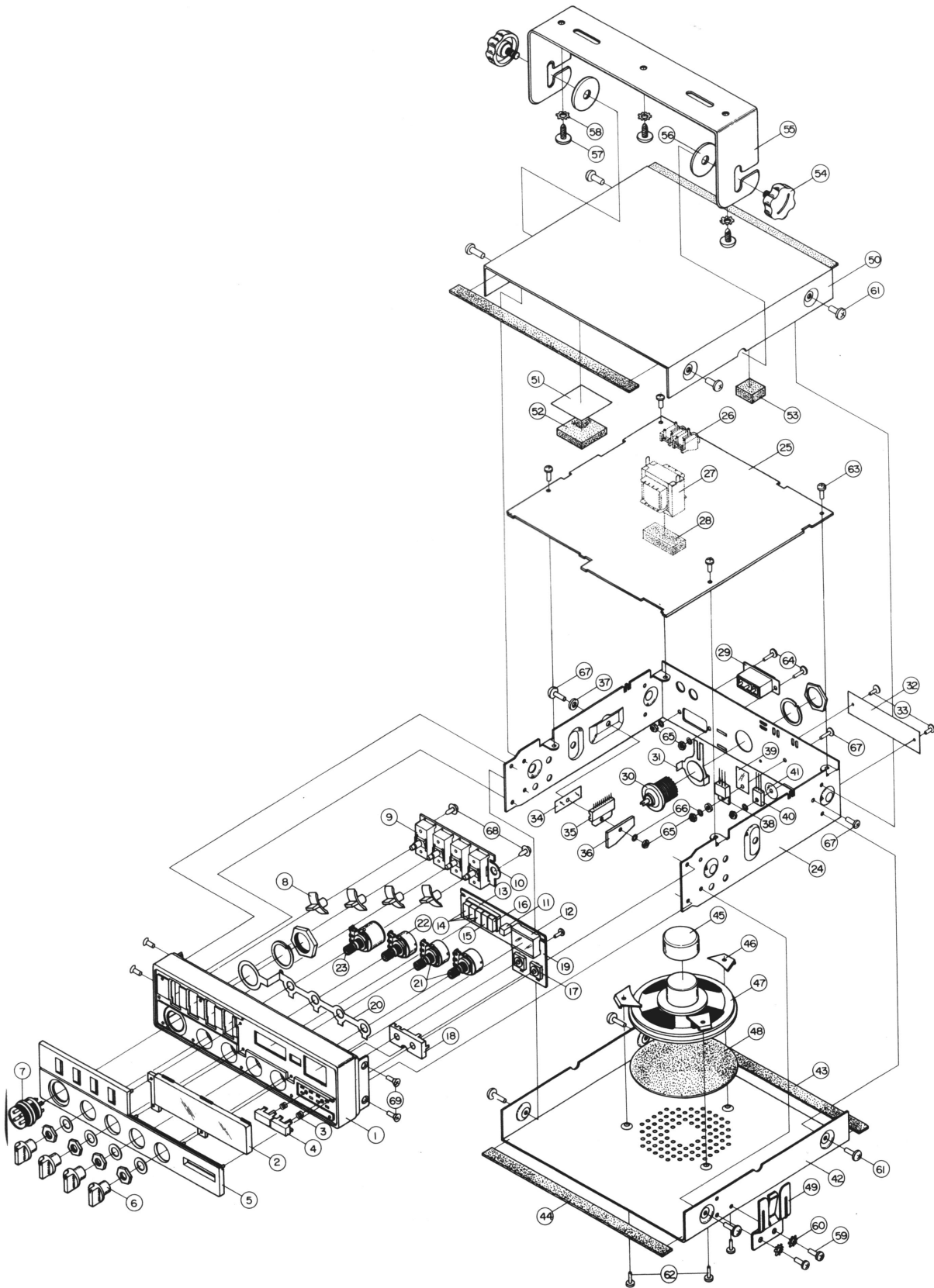
MC 78L08CT



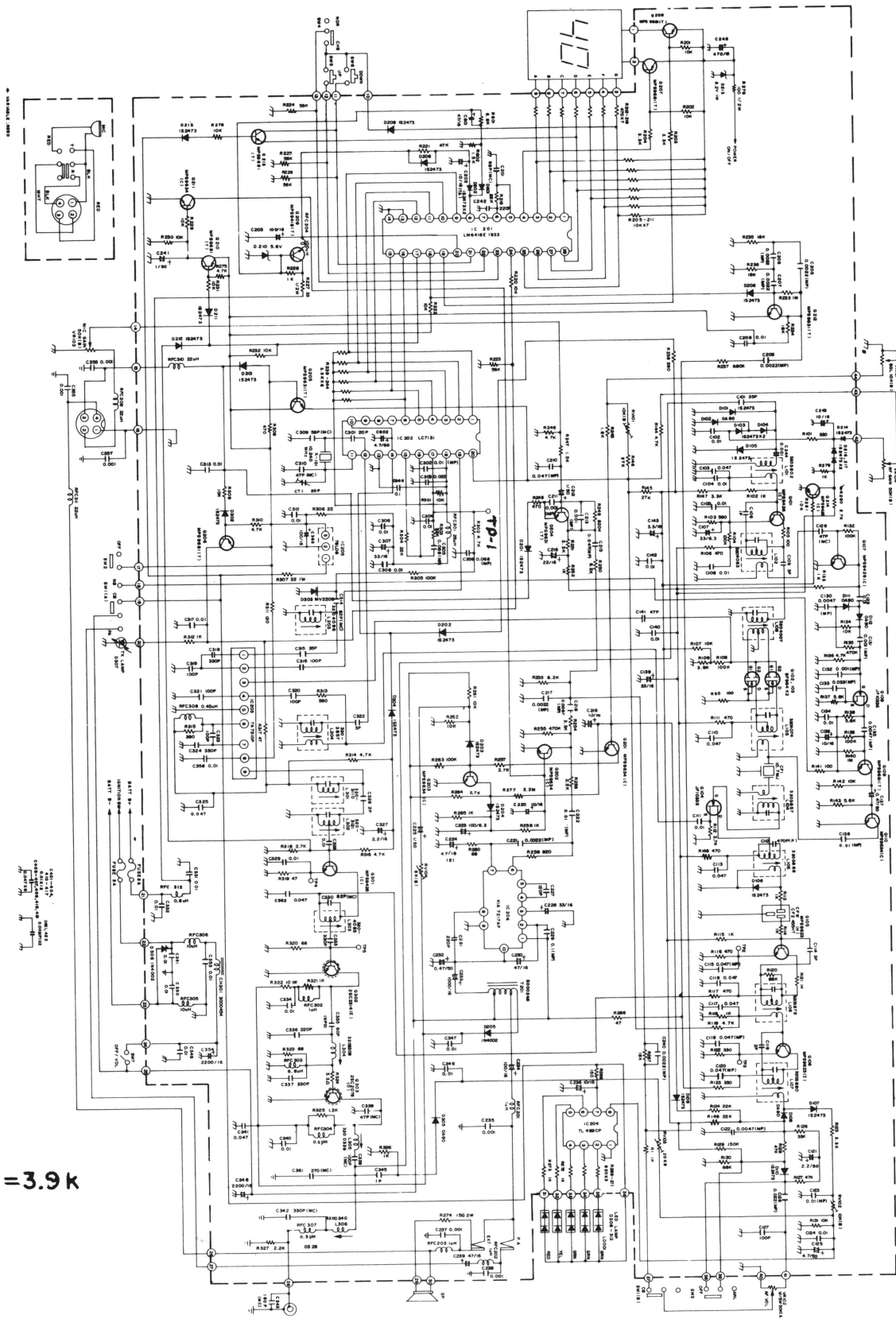
Exploded View Parts List

No.	Part No.	Description	No.	Part No.	Description
1	800960	Escutcheon	47	401029	Speaker
2	813020	Lens	48	900708	Felt (Speaker)
3	880880	Spring	49	720049	Bracket (Mic MTG)
4	823860	Knob (Push) (Up Down)	50	715720	Upper Cover
5	830530	Front Panel	51	900054	Insulation Plate (Cover)
6	823850	Knob (Control)	52	891590	Rubber Sponge Rubber 25x25x5t
7	4215066	4 Pin Socket	53	892630	Bubber Sponge
8	823840	Knob (Toggle)	54	600051	Securing Screw
9	4390042	Lever S.W	55	722070	Set Mtg Bracket
10	4012620	P.C.B S.W	56	660138	Washer Rubber
11	2510640	LED Lamp	57	625007	(+) Tapping Screw (T.H)
12	2520261	LED Display	58	664518	Washer (Lock "B" Type)
13	892550	Rubber Holder (Bar LED Lamp)	59	624066	(+) Tapping Screw (R.H)
14	2520216	LED Display LD-OOIMG GRN	60	664411	Washer (Lock "B" Type)
15	2520227	LED Display LD-OOIVR RED	61	633082	(+) Tap Tite Screw (B.H)
16	2520238	LED Display LD-OOIYY YEL	62	623344	(+) Tapping Screw (B.H) 3x8 - 2S BLK
17	4360069	Tack Switor	63	623265	(+) Tapping Screw (B.H) 3x6 - 2S ZN-PLAT
18	770800	Shield Plate	64	613271	(+) Machine Screw (B.H) M3x6 ZN-PLAT
19	4013780	P.C.B LED	65	651024	Nut
20	770820	Shield Plate	66	662305	Washer (Spring)
21	4506111	Resistor Variable (VR) K161100-50KB (WO/SW)	67	613332	(+) Machine Screw (B.H)
22	4504173	Resistor Variable (VR) K161110-5M1112-50KA	68	623344	(+) Tapping Screw (B.H)
23	4506100	Resistor Variable (VR) K161100-10KC (WO/SW)	69	613183	(+) Machine Screw (F.H)
24	701380	Main Body			
25	4010690	P.C.B Main			
26	4207076	Jack Earphone			
27	3000245	Transformer			
28	892620	Bubber Sponge			
29	4215374	Connector			
30	992440	Ant Receptacle (W/Nut, Washer)			
31	730343	Holder (Ant. MTG)			
32	793130	Name Plate			
33	670025	Rivet Blind			
34	4400105	Mica			
35	2220064	I.C			
36	760704	Heat Sink (Ic MTG)			
37	4410100	Bushing			
38	2040091	Transistor			
39	4400040	Mica			
40	2040167	Transistor			
41	4400051	Mica			
42	715730	Bottom Cover			
43	904000	Felt Strip			
44	904020	Strip Felt			
45	830043	Cap (Spear)			
46	730015	Holder (Speaker)			

Exploded View



Schematic Diagram



R125 = 3.9k

PARTS LIST 40 PLUS

PARTS LIST 40 PLUS

SYMBOL	DESCRIPTION	PART NO.	SYMBOL	DESCRIPTION	PART NO.
	COVER ASSEMBLY	521 129 9 001	D101,103-107,109,		
	SPEAKER 3" 8 OHM 2W	580 036 9 001	201-204,206,208,		
	UPPER COVER SPC.	253 139 9 001	209,211,212,	DIODE SI 1S2473	151 035 9 001
	VINYL 167X233X0.75T		214-217,301,302,		
	ESCUTCHEON (COBRA 40PLUS)	380 552 9 001	304,601,602,110		
	ABS BLACK		D102,108,111,	DIODE GE 0A90	150 020 9 001
	LENS ACRYL SMOKE SILK	753 020 9 001	112,305		
	KNOB (TOGGLE)	384 086 9 001	D205,306	DIODE SI 1N4002	151 082 9 001
	ABS CR-PLATING		X101	CRYSTAL 10.240MHZ HV-18/U	132 036 9 001
	KNOB (CONTROL)	384 084 9 002	CF2	CERAMIC FILTER CFW455HT	140 006 9 001
	ABS CR-PLATING		CF1	CERAMIC FILTER 10.7MJ	140 006 9 002
	KNOB (PUSH) (UP,DWN)	384 084 9 003	T201	TRANSFORMER OPT	061 064 9 001
	ABS CR-PLATING		CH301	TRANSFORMER CHOKE	047 052 9 001
	FRONT PANEL ABS	260 441 9 001	RFC305,306	COIL RF CHOKE 10μH CORE	047 012 9 003
	STAMPING SILK		RFC302	COIL CHOKE 1μH BOBBIN	041 134 9 007
	FRONT BODY ASSEMBLY	521 130 9 001	RF201-203	COIL RF CHOKE 1μH SPRING	047 041 9 001
Q303	XSTOR 2SC 2078 (D)	172 075 9 001	RFC309-311	COIL RF CHOKE 22μH BOBBIN	041 134 9 002
Q302	XSTOR 2SC 2314 (E)	176 120 9 001	RFC301	COIL RF CHOKE 25μH PC	047 041 9 002
IC206	I.C. KIA 7217AP	307 331 9 001	RFC304	COIL RF CHOKE 0.5μH SPRING	041 134 9 008
D307	LED LAMP SLB55VR3, RED	158 079 9 001	RFC303	COIL RF CHOKE 6.8μH PC	047 041 9 004
D308-310	LED DISPLAY LD001MG, GREEN	158 079 9 002	RFC312	COIL RF CHOKE 0.8μH SPRING	047 052 9 002
D311	LED DISPLAY LD-001VR RED	158 079 9 003	RFC308	INDUCTOR 0.45μH MOLD TYPE	047 049 9 002
D312	LED DISPLAY LD-001YY YEL	158 079 9 004	RF204	COIL CHOKE 100μH MO TYPE	047 027 9 001
LED	LED DISPLAY LTD-482G-Y	158 079 9 005	RFC307	COIL AM TX ANT 27MHz A	046 039 9 012
J1 2	JACK EARPHONE HSJ 0615-01-010	773 126 9 001	L305	COIL AM TX ANT 27MHz B	046 039 9 013
SW5,6	TACTILE SWITCH KHG10905	088 155 9 001	L306	COIL AM IFT 27MHz TX ANT	
	LEVER SW SLE 622	080 029 9 001		TUNING - C	046 039 9 014
RV101	RES., VARIABLE (VR) WO/SW	008 851 9 001	L301	IFT 27MHz RF AMP-A	047 039 9 006
	VM11A-5M1411-10KB 15MM SHAFT		L302	IFT AM AMP 27MHz C	047 039 9 007
	RES., VARIABLE (VR)	008 851 9 002	L304	27MHz RF-C (TX)	046 039 9 012
	K161110-5M1112 50KA		L101	27MHz RX ANT A	047 052 9 003
	RES., VARIABLE (VR)	008 851 9 003	L104,204	10.7MHz MIXER B	047 052 9 004
	K161110-50KB (WO/SW)		L105	455KHz A	047 052 9 005
	15MM SHAFT		L106	455KHz B	047 052 9 006
	ANT RECEPTACLE (W/NUT	772 050 9 001	L107	455KHz DET	047 052 9 007
	WASHER) KYEONG SEOVG		L108	10.7MHz MIXER A	047 052 9 008
	M TYPE 8112		L103	RX AMP 10.7MHz	047 052 9 009
Q110,201-203,211	XSTOR MPS9634(C)	176 128 9 001	L303	RX ANT TUNING 27MHz	047 052 9 010
Q101,107,214,301	XSTOR MPS9426(C)	176 115 9 001	L203	RX VCO 16.5MHz	047 049 9 007
Q109,206-208,	XSTOR MPS9681(T)	177 049 9 001	L102	RX ANT 27MHz	047 052 9 011
210,213				DC POWER CORD ASS'Y. 2T-5C-192	428 134 9 001
Q209	XSTOR MPS9418(T)	176 115 9 004		MIC ASS'Y. COBRA-40PLUS	561 002 9 001
Q105	XSTOR MPS9623(H)	176 125 9 001		4 PIN PLUG FM 114-4P	777 016 9 001
Q106	XSTOR MPS9623(I)	176 115 9 002		DIE CAST TYPE	
Q204,205,212	XSTOR MPS9631(T)	176 132 9 001		PUSH SW HPW0208-01-010	088 155 9 002
Q104,108	FET JF 1033S	182 086 9 001		SECURING SCREW M6 (P=1) X 9	634 166 9 001
Q102,103	FET BF 964(A)	182 086 9 002		BRACKET (MIC MTG)	
IC203	I.C. TA7310P	307 133 9 004		SPC 35X55X1T	251 516 9 001
IC205	I.C. MC78L08CT	307 426 9 001		SET MTG BRACKET	
IC202	I.C. LC7131	307 272 9 002		BLACK PLATING	250 215 9 001
IC201	I.C. LM6416E	307 426 9 002		NAME PLATE (UPPER)	
IC204	I.C. TL 489CP	307 426 9 003		ALP3 30X80X0.3T	600 164 9 002
D210	DIODE BZX83-C5V6	152 160 9 001		SNOW BOX	503 327 9 001
D213	DIODE ZENER UZP-8.2B 1W	152 160 9 002		DISPLAY CTN (COBRA 40PLUS)	
D303	DIODE VARICAP MV2209	151 028 9 007		SW.E 239X263X82	500 741 9 001