

ELECTRICAL PARTS LIST

REF. NO.	DESCRIPTION	DYNASCAN PART NO.
CAPACITORS		
<p>NOTE: The first code indicates tolerance of capacitance: C=±0.25 pF, D=±0.5 pF, F=±1 pF, G=±2%, J=±5%, K=±10%, M=±20%, Z=+70% -20% The second code indicates variation of capacitance with temperature: YA=±5%, YB=±10%, YD=+20% -30%, YE=+20 -50%, YF=+30 -70% (-25~+85°C) ZF=+30 -80% (-10~+70°C), CH=0±60 ppm/°C, RH=-220 ppm/°C±60 ppm/°C, CJ=0±120 ppm/°C, RJ=-220 ppm/°C±120 ppm/°C, TH=-470 ppm/°C±60 ppm/°C, UJ=-750 ppm/°C±120 ppm/°C, SL=+350 ppm/°C~-1000 ppm/°C</p>		
C-1 C-2 C-3 C-4 C-5 C-6 C-7 C-8 C-9 C-10 C-11 C-12 C-13 C-14 C-15 C-16 C-17 C-18 C-19 C-20 C-21 C-22 C-23 C-24 C-25 C-26 C-27 C-28 C-29 C-30 C-31 C-32 C-33 C-34 C-35 C-36 C-37 C-38 C-39 C-40 C-41 C-42	Capacitor, Ceramic 22 pF 50V K SL Capacitor, Ceramic 0.01 μF 50V Z YF Capacitor, Ceramic 0.01 μF 50V Z YF Capacitor, Ceramic 220 pF 50V K SL Capacitor, Ceramic 220 pF 50V K SL Capacitor, Ceramic 680 pF 50V K SL Capacitor, Ceramic 0.01 μF 50V Z YF Capacitor, Semi-conductor (SR) 0.01 μF 25V K Capacitor, Ceramic 22 pF 50V K UJ -Not used- Capacitor, Ceramic 0.001 μF 50V Z YF Capacitor, Ceramic 0.0047 μF 50V Z YF Capacitor, Electrolytic 2.2 μF 50V Capacitor, Ceramic 220 pF 50V K SL Capacitor, Ceramic 47 pF 50V K SL Capacitor, Ceramic 0.01 μF 50V Z YF -Not used- Capacitor, Ceramic 0.01 μF 50V Z YF Capacitor, Ceramic 0.01 μF 50V Z YF -Not used- Capacitor, Ceramic 0.01 μF 50V Z YF Capacitor, Ceramic 0.047 μF 25V K Z ZF Capacitor, Semi-conductor (SR) 0.047 μF 25V K Capacitor, Semi-conductor (SR) 0.047 μF 25V K Capacitor, Semi-conductor (SR) 0.047 μF 25V K Capacitor, Electrolytic 10 μF 25V M C-155 -Not used- Capacitor, Ceramic 220 pF 50V K SL Capacitor, Electrolytic 1 μF 50v -Not used- Capacitor, Electrolytic 10 μF 16V Capacitor, Semi-conductor (SR) 0.0022 μF 25V K Capacitor, Ceramic 0.001 μF 50V K YB(B) -Not used- Capacitor, Semi-conductor (SR) 0.001 μF 25V K Capacitor, Electrolytic 10 μF 16V Capacitor, Electrolytic 47 μF 25V Capacitor, Electrolytic 1000 μF 10V Capacitor, Electrolytic 1 μF 50V M C-094 -Not used- -Not used- -Not used-	

REF. NO.	DESCRIPTION	DYNASCAN PART NO.
C-43	Capacitor, Ceramic 22 pF 50V K SL	
C-44	Capacitor, Ceramic 0.047 μ F 25V Z ZF	
C-45	Capacitor, Ceramic 0.01 μ F 50V Z YF	
C-46	Capacitor, Ceramic 22 pF 50V K SL	
C-47	Capacitor, Ceramic 390 pF 50V J SL	
C-48	Capacitor, Ceramic 150 pF 50V K SL	
C-49	Capacitor, Ceramic 47 pF 50V J CH	
C-50	- Not used -	
C-51	Capacitor, Ceramic 470 pF 50V K SL	
C-52	Capacitor, Electrolytic 330 μ F 6.3V M C-095	
C-53	Capacitor, Ceramic 0.001 μ F 50V Z YF	
C-54	Capacitor, Ceramic 68 pF 50V K UJ	
C-55	Capacitor, Semi-conductor (SR) 0.1 μ F 25V K	
C-56	- Not used -	
C-57	Capacitor, Ceramic 0.0022 μ F 50V M YD	
C-58	Capacitor, Ceramic 33 pF 50V K RH	
C-59	Capacitor, Ceramic 220 pF 50V K UJ	
C-60	- Not used -	
C-61	Capacitor, Ceramic 15 pF 50V K SL	
C-62	Capacitor, Ceramic 150 pF 50V K UJ	
C-63	Capacitor, Ceramic 0.01 μ F 50V Z YF	
C-64	- Not used -	
C-65	- Not used -	
C-66	- Not used -	
C-67	Capacitor, Electrolytic 470 μ F 25V	
C-68	Capacitor, Semi-conductor (SR) 0.1 μ F 25V K	
C-69	Capacitor, Electrolytic 47 μ F 10V	
C-70	Capacitor, Ceramic 0.01 μ F 50V Z YF	
C-71	Capacitor, Electrolytic 22 μ F 16V	
C-72	Capacitor, Electrolytic 10 μ F 16V	
C-73	Capacitor, Electrolytic 1000 μ F 25V M C-095	
C-74	Capacitor, Ceramic 0.001 μ F 50V M YD	
C-75	Capacitor, Semi-conductor (SR) 0.0047 μ F 25V K	
C-76	Capacitor, Electrolytic 47 μ F 10V	
C-77	Capacitor, Semi-conductor (SR) 0.0033 μ F 25V K	
C-78	Capacitor, Electrolytic 47 μ F 10V	
C-79	Capacitor, Ceramic 0.047 μ F 25V Z ZF	
C-80	Capacitor, Ceramic 100 pF 50V K SL	
C-81	Capacitor, Ceramic 150 pF 50V K SL	
C-82	Capacitor, Ceramic 270 pF 50V K UJ	
C-83	Capacitor, Ceramic 33 pF 50V K CH	
C-84	Capacitor, Ceramic 220 pF 50V K UJ	
C-85	Capacitor, Ceramic 0.001 μ F 50V K YB(B)	
C-86	Capacitor, Ceramic 0.047 μ F 50V Z YF	
C-87	Capacitor, Ceramic 270 pF 50V K UJ	
C-88	Capacitor, Ceramic 0.047 μ F 50V Z YF	
C-89	Capacitor, Ceramic 0.01 μ F 50V Z YF	
C-90	Capacitor, Ceramic 0.01 μ F 50V Z YF	
C-91	Capacitor, Ceramic 0.01 μ F 50V Z YF	
C-92	Capacitor, Ceramic 0.0047 μ F 50V M YD	
C-93	Capacitor, Electrolytic 47 μ F 10V	
C-94	Capacitor, Electrolytic 47 μ F 10V	
C-95	Capacitor, Ceramic 0.01 μ F 50V Z YF	
C-96	Capacitor, Ceramic 0.5 pF 50V C SL	
C-97	Capacitor, Ceramic 0.01 μ F 50V Z YF	
C-98	Capacitor, Ceramic 5 pF 50V C SL	
C-99	Capacitor, Ceramic 5 pF 50V C SL	

REF. NO.	DESCRIPTION	DYNASCAN PART NO.
C-100	Capacitor, Ceramic 0.001 μ F 50V Z YF	
C-101	Capacitor, Semi-conductor (SR) 0.01 μ F 25V K	
C-102	Capacitor, Ceramic 100 pF 50V K SL	
C-103	Capacitor, Ceramic 0.01 μ F 50V Z YF	
C-104	- Not used -	
C-105	Capacitor, Ceramic 0.01 μ F 50V Z YF	
C-106	Capacitor, Ceramic 0.047 μ F 25V Z ZF	
C-107	Capacitor, Ceramic 0.01 μ F 50V Z YF	
C-108	Capacitor, Ceramic 0.01 μ F 50V Z YF	
C-109	Capacitor, Ceramic 0.047 μ F 25V Z ZF	
C-110	Capacitor, Ceramic 0.01 μ F 50V Z YF	
C-111	Capacitor, Ceramic 0.001 μ F 50V Z YF	
C-112	Capacitor, Electrolytic 2.2 μ F 50V	
C-113	Capacitor, Mylar 0.1 μ F 50V K	
C-114	Capacitor, Electrolytic 47 μ F 10V	
C-115	Capacitor, Semi-conductor (SR) 0.047 μ F 25V K	
C-116	Capacitor, Electrolytic 47 μ F 25V	
C-117	Capacitor, Electrolytic 100 μ F 10V	
C-118	Capacitor, Electrolytic 100 μ F 10V	
C-119	Capacitor, Ceramic 560 pF 50V K SL	
C-120	Capacitor, Ceramic 56 pF 50V K SL	
C-121	Capacitor, Semi-conductor (SR) 0.047 μ F 25V K	
C-122	Capacitor, Electrolytic 47 μ F 10V	
C-123	Capacitor, Electrolytic 220uF 16V M C-155	
C-124	Capacitor, Semi-conductor (SR) 0.01 μ F 25V K	
C-125	Capacitor, Ceramic 0.047 μ F 25V K Z ZF	
C-126	Capacitor, Electrolytic 10 μ F 16V	
C-127	Capacitor, Electrolytic 10 μ F 16V	
C-128	Capacitor, Ceramic 0.001 μ F 50V Z YF	
C-129	Capacitor, Ceramic 0.001 μ F 50V Z YF	
C-130	- Not used -	
C-131	Capacitor, Ceramic 0.001 μ F 50V Z YF	
C-132	- Not used -	
C-133	Capacitor, Ceramic 0.001 μ F 50V Z YF	
C-134	Capacitor, Ceramic 0.001 μ F 50V Z YF	
C-135	- Not used -	
C-136	Capacitor, Ceramic 100 pF 50V K SL	
C-137	Capacitor, Ceramic 0.001 μ F 50V Z YF	
C-138	Capacitor, Electrolytic 1 μ F 50V	
C-139	Capacitor, Electrolytic 100 μ F 10V	
C-140	Capacitor, Ceramic 39 pF 50V K SL	
C-141	- Not used -	
C-142	- Not used -	
C-143	Capacitor, Ceramic 0.001 μ F 50v M YD	
C-144	- Not used -	
C-145	Capacitor, Semi-conductor 0.047 μ F 25V K	
C-146	Capacitor, Semi-conductor 0.047 μ F 25V K	
C-147	Capacitor, Ceramic 0.0047 μ F 50V M YD	
C-148	Capacitor, Ceramic 0.01 μ F 50V Z YF	
C-149	Capacitor, Semi-conductor 0.047 μ F 25V K	
C-150	- Not used -	
C-151	- Not used -	
C-152	- Not used -	
C-153	Capacitor, Ceramic 0.047 μ F 50V Z ZF	
C-154	- Not used -	
C-155	Capacitor, Semi-conductor (SR) 0.01 μ F 25V K	
C-156	- Not used -	

REF. NO.	DESCRIPTION	DYNASCAN PART NO.
C-157	- Not used -	
C-158	- Not used -	
C-159	- Not used -	
C-160	Capacitor, Ceramic 0.0047 μ F 50V M YD	
C-161	Capacitor, Semi-conductor (SR) 0.047 μ F 25V K	
C-162	Capacitor, Ceramic 0.047 μ F 25V Z ZF	
C-163	Capacitor, Electrolytic 0.47 μ F 50V	
C-164	Capacitor, Ceramic 10 pF 50V D UJ	
C-501	Capacitor, Ceramic 33 pF 50V K SL	
DIODES		
D-1	Diode 1N60 AM	150-014-9-001
D-2	- Not used -	- Not used -
D-3	- Not used -	- Not used -
D-4	- Not used -	- Not used -
D-5	Diode 1N60 AM	150-014-9-001
D-6	Diode 1N60 AM	150-014-9-001
D-7	Diode 1S1555	151-028-9-007
D-8	Diode 1S2076A	151-101-9-001
D-9	Diode 1N60 AM	150-014-9-001
D-10	Diode 1S1555	151-028-9-007
D-11	Diode 1S1555	151-028-9-007
D-12	Diode 1S1555	151-028-9-007
D-13	- Not used -	- Not used -
D-14	Diode HZ6A-3	152-156-9-001
D-15	Diode 1S1555	151-028-9-007
D-16	Diode 1S1555	151-028-9-007
D-17	- Not used -	- Not used -
D-18	Diode 1SV73-EB	151-137-9-001
D-19	Diode 1N4003	151-083-9-001
D-20	Diode 1S1555	151-028-9-007
D-21	Diode 1S1555	151-028-9-007
D-22	Diode 1S1555	151-028-9-007
D-23	Diode 1S1555	151-028-9-007
D-24	Diode 1N60 P	150-006-9-001
D-25	Diode 1N60 P	150-006-9-001
D-26	Diode 1N60 P	150-006-9-001
D-27	Diode 1N60 P	150-006-9-001
D-28	Diode 1S1555	151-028-9-007
D-29	Diode 1S1555	151-028-9-007
D-30	Diode 1S1555	151-028-9-007
D-31	Diode 1S1555	151-028-9-007
D-32	Diode 1S1555	151-028-9-007
D-33	Diode 1S1555	151-028-9-007
D-34	Diode 1S1555	151-028-9-007
D-35	- Not used -	- Not used -
D-36	Diode 1S1555	151-028-9-007
D-37	Diode 1S1555	151-028-9-007
D-38	Diode 1S1555	151-028-9-007
D-39	Diode 1S1555	151-028-9-007
D-40	Diode 1S1555	151-028-9-007
D-41	Diode 1S1555	151-028-9-007
D-42	Diode 1S1555	151-028-9-007
D-43	Diode 1S1555	151-028-9-007
D-44	Diode 1S1555	151-028-9-007
D-351	Diode LED RT-242 PRS	158-070-9-003

REF. NO.	DESCRIPTION	DYNASCAN PART NO.
D-352	Diode LED RT-242-YS	158-070-9-004
D-353	Diode LED RT-242-YS	158-070-9-004
D-354	Diode LED RT-242 PRS	158-070-9-003
D-355	Diode LED RT-242 PRS	158-070-9-003
D-356	Diode LED RT-242 PRS	158-070-9-003
D-357	Diode LED RT-242 SGS	158-070-9-002
D-358	Diode LED RT-242 SGS	158-070-9-002
D-359	Diode LED RT-242 SGS	158-070-9-002
D-360	Diode LED RT-242 PRS	158-070-9-003
D-361	Diode LED RT-242 SGS	158-070-9-002
D-362	Diode LED RT-242 PRS	158-070-9-003
D-363	Diode LED RT-242 SGS	158-070-9-002
D-364	Diode LED RT-242 SGS	158-070-9-002
D-365	Diode LED RT-242 SGS	158-070-9-002
D-366	Diode LED RT-242 SGS	158-070-9-002
D-367	Diode LED RT-242 SGS	158-070-9-002
D-368	Diode LED RT-242 SGS	158-070-9-002
D-369	Diode LED RT-242 SGS	158-070-9-002
D-370	Diode LED RT-242 SGS	158-070-9-002
D-371	Diode LED LL-2253 YG	158-070-9-001
FILTER		
FT-1	Filter Crystal FL-055 10M-7A1	143-011-9-001
FT-2	Filter Ceramic FL-009 CFU 455H2	140-009-9-001
INTEGRATED CIRCUITS		
IC-1	Integrated Circuit UPC1242H	307-415-9-001
IC-2	Integrated Circuit SM5123A	307-415-9-004
IC-3	Integrated Circuit LB1710	307-415-9-003
IC-4	Integrated Circuit TA7310P-U	307-328-9-001
IC-5	Integrated Circuit LB1417	307-415-9-005
IC-6	Integrated Circuit HA17808W	307-415-9-002
JACKS		
J-1	-Not used-	-Not used-
J-2	-Not used-	-Not used-
J-3	Jack JK-089, HSJ0615	773-086-9-001
J-4	Jack JK-089, HSJ0615	773-086-9-001
J-351	Jack JK-328, 5551-10	777-050-9-007
J-352	Jack JK-328, 5551-16	777-050-9-008
J-353	Jack JK-328, 5551-07	777-050-9-006
J-501	Jack, ANT W/O LUG JK-230, M-BR-23D	777-050-9-004
J-502	Jack JK-325, 4S-L-D107	777-050-9-005
J-503	-Not used-	-Not used-
J-504	-Not used-	-Not used-
J-505	Jack JK-329	777-050-9-009
J-551	Jack JK-221, 10P	777-050-9-002
J-552	Jack JK-221, 16P	777-050-9-003
J-553	Jack JK-221, 7P	777-050-9-001

REF. NO.	DESCRIPTION	DYNASCAN PART NO.
COILS		
L-1	Coil LA-181 LIKAC-19073N	060-024-9-002
L-2	Coil LA-029 TKXN-22160BU	060-023-9-001
L-3	Coil LA-260 TKXC-25114N	060-030-9-014
L-4	Coil LA-120 TKAC-24073F	046-037-9-001
L-5	Coil LA-277 TKAC-25365N	046-025-9-004
L-6	Coil LA-163 RDC-42066N	060-022-9-001
L-7	Coil LA-204 RMC-41997N	046-024-9-003
L-8	Coil LA-165 VTKXNA-XT231ZO-TW	044-046-9-001
L-9	Coil LA-166 TKXC-18501N	066-025-9-005
L-10	Coil LE-096 8 1/2T	047-044-9-001
L-11	Coil LE-096 8 1/2T	047-044-9-001
L-12	Coil LC-074	044-040-9-002
L-13	Coil LD-168	041-083-9-003
L-14	Coil LE-151 C-7931 D4.0 6 1/2T	041-128-9-001
L-15	Coil LA-208 TKXC-24341AC	060-029-9-004
L-16	Coil LA-088 TKXC-24124N	066-019-9-002
L-17	Coil LA-260 TKXC-25114N	060-030-9-014
L-18	Coil LA-373 TKXC-28319Y	047-004-9-002
L-19	Coil LD-087-BF04-3*5*5*1	
RESISTORS		
NOTE:		
Resistor tolerance: J=±5% K=10%		
R-1	Resistor, Carbon Formed Vert 1M 1/8W J	
R-2	Resistor, Carbon Formed Vert 2.2K 1/8W J	
R-3	Resistor, Carbon Axial Lead 10K 1/8W J	
R-4	Resistor, Carbon Formed Vert 2.2M 1/8W J	
R-5	Resistor, Carbon Formed Vert 10K 1/8W J	
R-6	Resistor, Carbon Formed Vert 1K 1/8W J	
R-7	Resistor, Carbon Formed Vert 47K 1/8W J	
R-8	Resistor, Carbon Formed Vert 100K 1/8W J	
R-9	Resistor, Carbon Axial Lead 1.5K 1/6W J	
R-11	Resistor, Carbon Formed Vert 1K 1/8W J	
R-12	Resistor, Carbon Axial Lead 3.3K 1/8W J	
R-13	Resistor, Carbon Formed Vert 15K 1/8W J	
R-14	Resistor, Carbon Formed Vert 100 1/8W J	
R-15	Resistor, Carbon Formed Vert 6.8K 1/8W J	
R-16	Resistor, Carbon Axial Lead 3.3K 1/8W J	
R-17	Resistor, Carbon Axial Lead 100 1/8W J	
R-18	Resistor, Carbon Axial Lead 470 1/8W J	
R-19	Resistor, Carbon Formed Vert 470 1/8W J	
R-20	-Not used-	
R-21	Resistor, Carbon Formed Vert 680 1/8W J	
R-22	Resistor, Carbon Formed Vert 10K 1/8W J	
R-23	Resistor, Carbon Formed Vert 2.2K 1/8W J	
R-24	Resistor, Carbon Formed Vert 1K 1/8W J	
R-25	Resistor, Carbon Formed Vert 68K 1/8W J	
R-26	Resistor, Carbon Formed Vert 100 1/8W J	
R-27	Resistor, Carbon Formed Vert 2.2K 1/8W J	
R-28	Resistor, Carbon Formed Vert 1K 1/8W J	
R-29	Resistor, Carbon Formed Vert 47K 1/8W J	
R-30	Resistor, Carbon Formed Vert 10 1/8W J	
R-31	Resistor, Carbon Formed Vert 2.2K 1/8W J	

REF. NO.	DESCRIPTION	DYNASCAN PART NO.
R-32	Resistor, Carbon Formed Vert 100 1/8W J	
R-33	Resistor, Carbon Formed Vert 47 1/8W J	
R-34	Resistor, Carbon Formed Vert 68K 1/8W J	
R-35	Resistor, Carbon Axial Lead 68K 1/8W J	
R-36	Resistor, Carbon Axial Lead 56K 1/8W J	
R-37	Resistor, Carbon Formed Vert 3.3K 1/8W J	
R-38	Resistor, Carbon Axial Lead 470 1/8W J	
R-39	Resistor, Carbon Formed Vert 560K 1/8W J	
R-40	-Not used-	
R-41	Resistor, Carbon Formed Vert 82K 1/8W J	
R-42	Resistor, Carbon Formed Vert 68K 1/8W J	
R-43	Resistor, Carbon Formed Vert 3.3M 1/8W J	
R-44	Resistor, Carbon Formed Vert 1K 1/8W J	
R-45	Resistor, Carbon Formed Vert 1K 1/8W J	
R-46	Resistor, Carbon Formed Vert 22K 1/8W J	
R-47	Resistor, Carbon Axial Lead 220 1/8W J	
R-48	Resistor, Carbon Formed Vert 10K 1/8W J	
R-49	Resistor, Carbon Formed Vert 10K 1/8W J	
R-50	-Not used-	
R-51	Resistor, Carbon Formed Vert 10K 1/8W J	
R-52	Resistor, Carbon Formed Vert 10K 1/8W J	
R-53	-Not used-	
R-54	Resistor, Carbon Formed Vert 1.5K 1/8W J	
R-55	Resistor, Carbon Formed Vert 820 1/8W J	
R-56	Resistor, Carbon Formed Vert 56 1/8W J	
R-57	Resistor, Carbon Formed Vert 270 1/8W J	
R-58	Resistor, Carbon Formed Vert 1.5K 1/8W J	
R-59	Resistor, Carbon Formed Vert 1.5M 1/8W J	
R-60	Resistor, Carbon Formed Vert 3.3K 1/8W J	
R-61	Resistor, Carbon Axial Lead 3.3K 1/8W J	
R-62	Resistor, Carbon Formed Vert 1.5K 1/8W J	
R-63	Resistor, Carbon Formed Vert 4.7K 1/8W J	
R-64	Resistor, Carbon Formed Vert 10K 1/8W J	
R-65	Resistor, Carbon Formed Vert 3.3K 1/8W J	
R-66	Resistor, Carbon Formed Vert 100 1/8W J	
R-67	Resistor, Carbon Formed Vert 10K 1/8W J	
R-68	Resistor, Carbon Axial Lead 1.5K 1/8W J	
R-69	Resistor, Carbon Formed Vert 82 1/8W J	
R-70	Resistor, Carbon Formed Vert 10K 1/8W J	
R-71	Resistor, Carbon Formed Vert 330 1/8W J	
R-72	Resistor, Carbon Formed Vert 82K 1/8W J	
R-73	Resistor, Carbon Formed Vert 2.7K 1/8W J	
R-74	Resistor, Carbon Axial Lead 22K 1/8W J	
R-75	Resistor, Carbon Axial Lead 330 1/8W J	
R-76	Resistor, Carbon Formed Vert 39K 1/8W J	
R-77	Resistor, Carbon Formed Vert 4.7K 1/8W J	
R-78	Resistor, Carbon Formed Vert 390K 1/8W J	
R-79	Resistor, Carbon Formed Vert 1.5K 1/8W J	
R-80	-Not used-	
R-81	Resistor, Carbon Formed Vert 1.5 1/8W J	
R-82	Resistor, Carbon Formed Vert 22K 1/8W J	
R-83	Resistor, Carbon Formed Vert 56K 1/8W J	
R-84	Resistor, Carbon Formed Vert 10K 1/8W J	
R-85	Resistor, Carbon Formed Vert 3.3K 1/8W J	
R-86	Resistor, Carbon Formed Vert 2.7K 1/8W J	
R-87	Resistor, Carbon Formed Vert 3.3K 1/8W J	
R-88	Resistor, Carbon Formed Vert 1M 1/8W J	
R-89	Resistor, Carbon Formed Vert 1K 1/8W J	

REF. NO.	DESCRIPTION	DYNASCAN PART NO.
R-90	Resistor, Carbon Axial Lead 39K 1/8W J	
R-91	Resistor, Carbon Axial Lead 10 1/8W J	
R-92	Resistor, Carbon Axial Lead 680 1/8W J	
R-93	Resistor, Carbon Formed Vert 56K 1/8W J	
R-94	Resistor, Carbon Formed Vert 330 1/8W J	
R-95	Resistor, Carbon Formed Vert 1K 1/8W J	
R-96	Resistor, Carbon Formed Vert 10 1/8W J	
R-97	Resistor, Carbon Formed Vert 100 1/8W J	
R-98	Resistor, Carbon Formed Vert 100 1/8W J	
R-99	Resistor, Carbon Axial Lead 100 1/8W J	
R-100	-Not used-	
R-101	Resistor, Carbon Formed Vert 100 1/8W J	
R-102	Resistor, Carbon Formed Vert 100 1/8W J	
R-103	Resistor, Carbon Formed Vert 100 1/8W J	
R-104	Resistor, Carbon Axial Lead 100 1/8W J	
R-105	Resistor, Carbon Formed Vert 22K 1/8W J	
R-106	Resistor, Carbon Formed Vert 10K 1/8W J	
R-107	Resistor, Carbon Axial Lead 2.2K 1/2W J	
R-108	Resistor, Carbon Formed Vert 150 1/8W J	
R-109	Resistor, Carbon Formed Vert 120 1/8W J	
R-100	-Not used-	
R-111	Resistor, Carbon Axial Lead 150 1/8W J	
R-112	Resistor, Carbon Axial Lead 100 1/8W J	
R-113	Resistor, Carbon Formed Vert 560 1/8W J	
R-114	Resistor, Carbon Axial Lead 560 1/8W J	
R-115	Resistor, Carbon Formed Vert 2.2 1/8W J	
R-116	Resistor, Carbon Axial Lead 10 1/8W J	
R-117	Resistor, Carbon Formed Vert 27 1/8W J	
R-118	Resistor, Carbon Formed Vert 27 1/8W J	
R-119	Resistor, Carbon Formed Vert 330 1/8W J	
R-120	-Not used-	
R-121	Resistor, Carbon Formed Vert 1.5K 1/8W J	
R-122	Resistor, Carbon Formed Vert 220 1/8W J	
R-123	Resistor, Carbon Axial Lead 100 1/8W J	
R-124	Resistor, Carbon Formed Vert 560 1/8W J	
R-125	Resistor, Carbon Formed Vert 10K 1/8W J	
R-126	Resistor, Carbon Formed Vert 1.5K 1/8W J	
R-127	Resistor, Carbon Formed Vert 3.3K 1/8W J	
R-128	Resistor, Carbon Formed Vert 100K 1/8W J	
R-129	Resistor, Carbon Formed Vert 2.2K 1/8W J	
R-130	-Not used-	
R-131	Resistor, Carbon Formed Vert 47K 1/8W J	
R-132	Resistor, Carbon Formed Vert 2.2K 1/8W J	
R-133	Resistor, Carbon Formed Vert 1.5K 1/8W J	
R-134	Resistor, Carbon Axial Lead 3.3K 1/8W J	
R-135	Resistor, Carbon Formed Vert 2.7K 1/8W J	
R-136	Resistor, Carbon Formed Vert 10K 1/8W J	
R-137	Resistor, Carbon Formed Vert 39K 1/8W J	
R-138	Resistor, Carbon Formed Vert 2.2K 1/8W J	
R-139	Resistor, Carbon Formed Vert 2.2K 1/8W J	
R-140	-Not used-	
R-141	Resistor, Carbon Formed Vert 100K 1/8W J	
R-142	Resistor, Carbon Formed Vert 10K 1/8W J	
R-143	Resistor, Carbon Axial Lead 820K 1/8W J	
R-144	Resistor, Carbon Axial Lead 220 1/8W J	
R-145	Resistor, Carbon Axial Lead 220 1/8W J	
R-146	Resistor, Carbon Axial Lead 220 1/8W J	
R-147	Resistor, Carbon Axial Lead 330 1/8W J	

REF. NO.	DESCRIPTION	DYNASCAN PART NO.
R-148	Resistor, Carbon Axial Lead 330 1/8W J	011-002-5-150 011-102-5-279
R-149	Resistor, Carbon Axial Lead 470 1/8W J	
R-150	Resistor, Carbon Formed Vert 5.6K 1/8W J	
R-151	Resistor, Carbon Axial Lead 470 1/8W J	
R-152	Resistor, Carbon Axial Lead 470 1/8W J	
R-153	Resistor, Carbon Axial Lead 100 1/8W J	
R-154	Resistor, Carbon Formed Vert 6.8K 1/8W J	
R-155	Resistor, Carbon Axial Lead 10K 1/8W J	
R-156	Resistor, Carbon Formed Vert 1K 1/8W J	
R-157	Resistor, Carbon Formed Vert 1.5K 1/8W J	
R-158	Resistor, Carbon Formed Vert 100 1/8W J	
R-159	Resistor, Carbon Formed Vert 10K 1/8W J	
R-160	-Not used-	
R-161	Resistor, Carbon Axial Lead 2.2K 1/8W J	
R-162	Resistor, Carbon Formed Vert 10K 1/8W J	
R-163	Resistor, Carbon Axial Lead 1K 1/8W J	
R-164	Resistor, Carbon Formed Vert 10K 1/8W J	
R-165	Resistor, Carbon Formed Vert 33K 1/8W J	
R-166	Resistor, Carbon Axial Lead 1K 1/8W J	
R-167	Resistor, Carbon Formed Vert 10K 1/8W J	
R-168	Resistor, Carbon Formed Vert 330 1/8W J	
R-169	Resistor, Carbon Formed Vert 220 1/8W J	
R-170	-Not used-	
R-171	Resistor, Metal Oxide, 15 2W J	
R-172	Resistor, Metal Oxide, 2.7 2W J	
R-173	Resistor, Carbon Formed Vert 47 1/8W J	
R-174	Resistor, Carbon Axial Lead 68 1/8W J	
R-175	Resistor, Carbon Formed Vert 10K 1/8W J	
R-176	Resistor, Carbon Axial Lead 3.3K 1/8W J	
R-177	-Not used-	
R-178	-Not used-	
R-179	-Not used-	
R-180	Resistor, Carbon Formed Vert 68K 1/8W J	
R-181	Resistor, Carbon Formed Vert 4.7M 1/8W J	
R-182	Resistor, Carbon Formed Vert 1.5K 1/6W J	
R-351	Resistor, Carbon Formed Vert 220 1/6W J	
R-352	Resistor, Carbon Formed Vert 220 1/6W J	
R-353	Resistor, Carbon Formed Vert 220 1/6W J	
R-551	Resistor, Carbon Axial Lead 330 1/6W J	
R-552	Resistor, Carbon Axial Lead 220 1/6W J	
R-553	Resistor, Carbon Axial Lead 100 1/6W J	
R-554	Resistor, Carbon Axial Lead 100 1/6W J	
R-555	Resistor, Carbon Axial Lead 220 1/6W J	
R-556	Resistor, Carbon Formed Vert 220 1/6W J	
R-557	Resistor, Carbon Axial Lead 10K 1/6W J	
R-558	Resistor, Carbon Axial Lead 18K 1/6W J	
R-559	Resistor, Carbon Axial Lead 8.2K 1/6W J	
SWITCHES		
S-351 S-352 S-503 S-504	Switch Tact SW-539 M-6050 Switch Tact SW-539 M-6050 Switch Push SW-539 Switch, Rotary SR-353	088-147-9-001 083-312-9-001

REF. NO.	DESCRIPTION	DYNASCAN PART NO.
TRANSFORMER		
T-1	Transformer, Output TF-177	061-050-9-001
T-2	Transformer, AF Choke TF-083	042-021-9-001
TRANSISTORS		
TR-1	Transistor DB-259 2SC1675-L	176-065-9-001
TR-2	Transistor DB-259 2SC1675-L	176-065-9-001
TR-3	Transistor DB-224 2SC945A-Q	176-062-9-001
TR-4	Transistor DB-003 2SA733-P	177-020-9-001
TR-5	Transistor DB-224 2SC945A-Q	176-062-9-001
TR-6	Transistor DB-259 2SC1675-L	176-065-9-001
TR-7	Transistor DB-259 2SC1675-L	176-065-9-001
TR-8	Transistor DB-295 2SC1674-L	176-081-9-002
TR-9	Field Effect Transistor DC-019 2SK192A-BL	182-076-9-001
TR-10	Transistor DB-259 2SC1675-L	176-065-9-001
TR-11	Transistor DB-259 2SC1675-L	176-065-9-001
TR-12	Transistor DB-301 2SC941TM-O	176-089-9-004
TR-13	Transistor DB-224 2SC945A-Q	176-062-9-001
TR-14	Transistor DB-224 2SC945A-Q	176-062-9-001
TR-15	Transistor DB-224 2SC945A-Q	176-062-9-001
TR-16	Transistor DB-224 2SC945A-Q	176-062-9-001
TR-17	Transistor DB-224 2SC945A-Q	176-062-9-001
TR-18	Transistor DB-106 2SB525-C	177-045-9-001
TR-19	Transistor DB-003 2SA733-P	177-020-9-001
TR-20	Transistor DB-106 2SB525-C	177-045-9-001
TR-21	Transistor DB-383 2SC3242A-E	176-191-9-001
TR-22	Transistor DB-224 2SC945A-Q	176-062-9-001
TR-23	Transistor DB-259 2SC1675-L	176-065-9-001
TR-24	Transistor DB-259 2SC1675-L	176-065-9-001
TR-25	Transistor DB-259 2SC1675-L	176-065-9-001
TR-26	Transistor DB-224 2SC945A-Q	176-062-9-001
TR-27	Transistor DB-224 2SC945A-Q	176-062-9-001
TR-28	Transistor DB-228 2SC2086-D	176-108-9-002
TR-29	Transistor DB-301 2SC941TM-O	176-089-9-004
TR-30	Transistor DB-224 2SC945A-Q	176-062-9-001
TR-31	Transistor DB-003 2SA733-P	177-020-9-001
TR-32	Transistor DB-224 2SC945A-Q	176-062-9-001
TR-33	Transistor DB-224 2SC945A-Q	176-062-9-001
TR-34	Transistor DB-003 2SA733-P	177-020-9-001
TR-35	Transistor DB-224 2SC945A-Q	176-062-9-001
TR-36	Transistor DB-224 2SC945A-Q	176-062-9-001
TR-37	Transistor DB-003 2SA733-P	177-020-9-001
TR-38	Transistor DB-224 2SC945A-Q	176-062-9-001
TR-39	Transistor DB-383 2SC3242A-E	176-191-9-001
TR-40	Transistor DB-003 2SA733-P	177-020-9-001
TR-41	Transistor DB-003 2SA733-P	177-020-9-001
TR-501	Transistor DB-331 2SC2166-C	176-108-9-001
VARIABLE RESISTORS		
VR-1	Resistor, Semi-fixed RT-182 TT24R 200KB	008-465-9-005
VR-2	Resistor, Semi-fixed RT-182 TT24R 50KB	008-465-9-003
VR-3	Resistor, Semi-fixed RT-182 TT24R 200KB	008-465-9-005
VR-4	Resistor, Semi-fixed RT-182 TT24R 100KB	008-465-9-003
VR-5	Resistor, Semi-fixed RT-182 TT24R 50KB	008-843-9-001

REF. NO.	DESCRIPTION	DYNASCAN PART NO.
VR-501	Resistor, Variable RV-616 RK161121 50KA	008-843-9-006
VR-502	Resistor, Variable RV-615 50KB	008-843-9-005
VR-503	Resistor, Variable RV-614 RK1631120A3MA 1KA	008-843-9-004
VR-504	Resistor, Variable RV-613 RK1631120A3NA 1KB	008-843-9-003
VR-505	Resistor, Variable RV-612 PK1631120 5KB	008-843-9-002
X-1	Crystal QX-074 10.240 132-027-9-001	
MISCELLANEOUS		
FC-501	Flat Cable WF-051 5.5- 80-5.5	428-111-9-001
FC-502	Flat Cable WF-052 5.5- 80-5.5	428-111-9-002
MC-951	Microphone MK-341	561-008-9-001
SP-501	Speaker SP-053	580-073-9-001
YI-001	Heat Sink YD-058 TES 5	
YI-501	Insulation Sheet YY-027	
YI-502	Bushing Transistor YD-019 B312D-11-A	
WA-951	DC Cord (3-Core) WZ-383 L1515W/P	426-107-9-001

VOLTAGE CHART

Measurement Conditions:

Power supply voltage:	13.8 V
ANT output impedance:	50 ohms
Test Temperature	25°C
SSG Modulation:	1 kHz, 30%
SSG Output level:	0 dB 0.5 V
Standard audio Output	0.5W
Standard output frequency	1 kHz
Audio load:	8 ohms
Measurement channel:	19 CH (27.185 MHz)

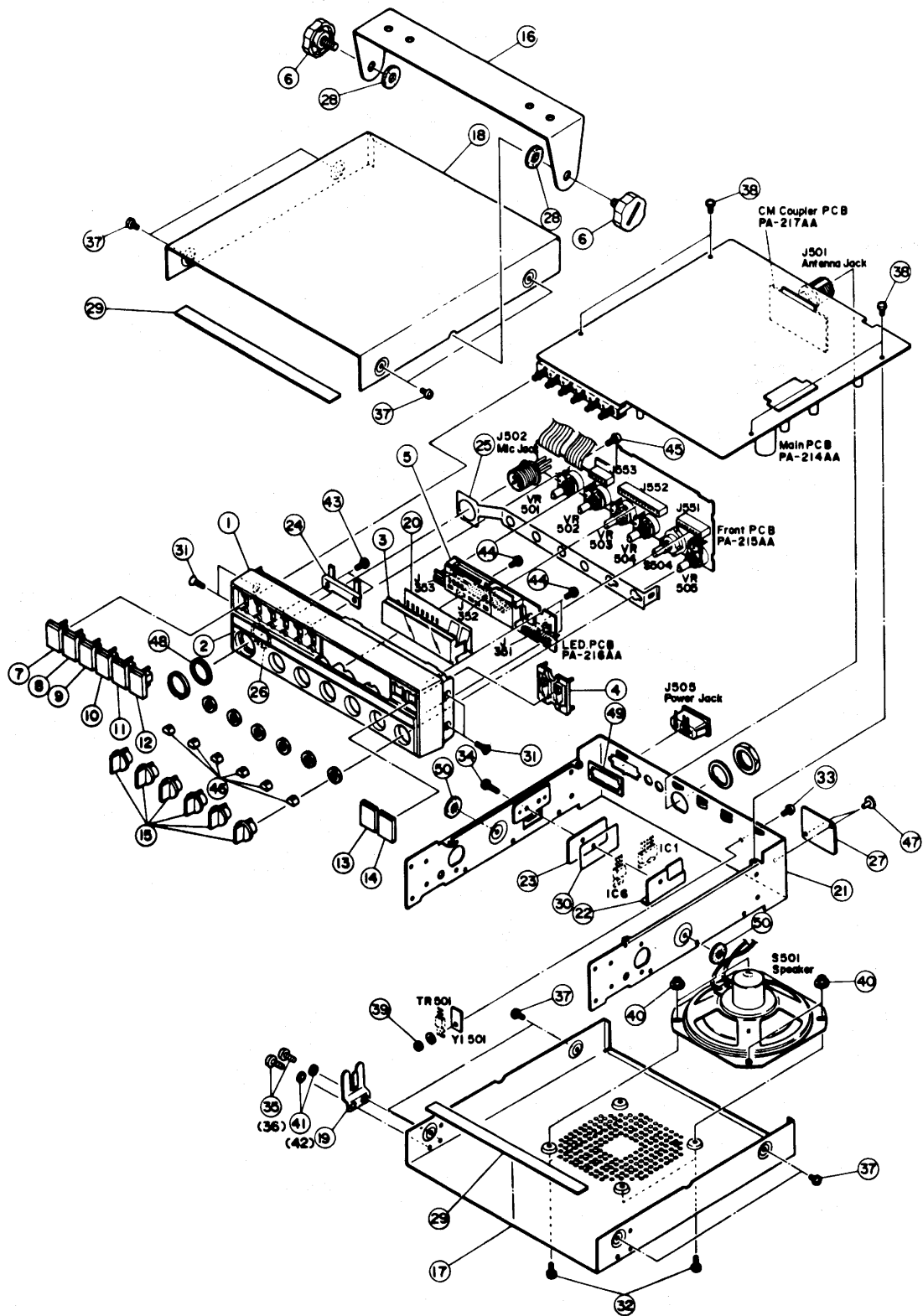
Unless otherwise specified, set controls as follows:

A N L:	OFF
N B:	OFF
P A:	OFF
D I M:	OFF
C H 9:	OFF
VOLUME:	MAX
SQUELCH:	MIN
DYNAMIKE:	MAX
RF GAIN:	MAX
S/RF/MOD/CAL/SWR:	S/RF

MECHANICAL PARTS LIST

REF. NO.	DESCRIPTION	DYNASCAN PART NO.
1	Panel, Front ABS, Black	380-538-9-001
2	Control Plate ABS,CR	380-538-9-002
3	Window AS, Gray Smoke	380-538-9-003
4	Support ABS, Black	380-538-9-004
5	LED Housing ABS, Vanilla White	380-538-9-005
6	Screw, Mounting ABS INST CLR,Black	634-204-9-001
7	Button, Push (ANL) ABS, CR, SILK PRINT	384-075-9-001
8	Button, Push (NB) ABS, CR, SILK PRINT	384-075-9-002
9	Button, Push (PA) ABS, CR, SILK PRINT	384-075-9-003
10	Button, Push (DIM) ABS, CR, SILK PRINT	384-075-9-004
11	Button, Push (CH19) ABS, CR, SILK PRINT	384-075-9-005
12	Button, Push (CH 9) ABS, CR, SILK PRINT	384-075-9-006
13	Button, Push (DOWN) ABS, CR, SILK PRINT	384-075-9-007
14	Button, Push (UP) ABS, CR, SILK PRINT	384-075-9-008
15	Knob ABS, CR	751-313-9-001
16	Mounting Bracket SPCC, 1.6T, Black	250-198-9-001
17	Cover, Bottom VINYTOP, SB-K08,1.0T, Black	252-054-9-001
18	Cover, Top VINYTOP, SB-K08,1.0T, Black	253-134-9-001
19	Hanger, Microphone SPCC, 1.0T, NI	741-074-9-001
20	Display Plate MYLAR 0.35T	600-166-9-002
21	Chassis SPCC, 1.0T, ZMC	
22	Holder, IC (B)	SECC,1T Non Oil
23	Holder, IC (A)	ALP,2T Non Oil
24	Holder, Switch	SECC, 1.0T
25	Shield Plate	ALP, 0.1T
26	Shield Plate	ALP, 0.1T
27	ID Plate, FCC	ALP, 0.5T
28	Washer, Rubber, Neoprene, Black, 7. 15. 2.0T	
29	Wool-coated Paper, Wool Tack, Wool Paper, 10. 150. 0.3T	
30	Insulation Plate	MYLAR 0.1T
31	Screw, Flat HD +	M3×5 NI
32	Screw, Bind HD +	M3×8 BNI
33	Screw, Bind HD +	M3×8 NI
34	Screw, Bind HD +	M3×12 NI
35	Screw, Tapping Round HD +	D3.5×8 NI
36	Screw, Tapping Round HD +	D5×10 NI
37	Screw, Taptight Bind HD +	M3×6 BNI
38	Screw, Taptight Bind HD +	M3×6 NI
39	Hex Nut	M3.0 NI
40	Nut Flange	M3 2MC
41	Washer, Lock	D3.5 NI
42	Washer, Star	D5 NI
43	Screw, P Tight Bind HD +	D3×8 NI
44	Screw, P Tight Bind HD +	D3×8 NI
45	Screw, P Tight Bind HD +	D3×8 NI
46	Spring Plate, Knob	D6
47	Rivet, AL, ID Plate	D3.2×3.2
48	Washer SPT. 0.35T	
49	Spacer, Connector PVC 0.5T	
50	Spacer Wool Tack, 0.3T, Black	

EXPLODED VIEW



TRANSISTOR VOLTAGE CHART

TR No.	TR. NAME			RX (V)			TX (V)		
				B	E	C	B	E	C
1	2SC1675L	NB	OFF	0	0	0	0	0	0
			ON	0.4	0	7	0.4	0	6.9
2	2SC1675L	NB	OFF	0	0	0	0	0	0
			ON	6.8	6.1	8.2	6.8	6.1	8.2
3	2SC945AQ	NB	OFF	0	0	0	0	0	0
			ON	6.1	0	4.7	6.1	04.7	
4	2SA733P	NB	OFF	0	0	0	0	0	0
			ON	8.3	8.3	0	8.3	8.3	0
5	2SC945AQ	NB	OFF	0	0	0	0	0	0
			ON	0	0	0	0	0	0
6	2SC1675L			0	0	0	0	0	0
7	2SC1675L			0.2	0	0	0	0	0
8	2SC1674L			1.2	0.5	7.3	0.2	0.2	1
9	2SK192ABL			0.1(G)	7.4(D)	4(S)	0(G)	1.1(D)	1.1(S)
10	2SC1675L			0.9	0.4	7.6	0.1	0	1.1
11	2SC1675L			0.7	0	2.5	0.1	0	1
12	2SC941TM(0)			2.5	2	12.5	1	0.4	12.5
13	2SC945AQ	SQ	MIN	0	0	0.7	0	0	0.7
			MAX	0.6	0	0	0.6	0	0
14	2SC945AQ	SQ	MIN	0	0	0	0	0	0
			MAX	0.7	0	0	0.7	0	0
15	2SC945AQ	SQ	MIN	0.7	0	0	0.7	0	0
			MAX	0	0	4.7	0	0	4.7
16	2SC945AQ			0.7	0	0.1	0.2	0	5
17	2SC945AQ			0	0.2	7.6	0	0	1.1
18	2SB525C	DIM	OFF	4	4.3	2	4	4.3	2
			ON	2.7	3	1.5	2.7	3	1.5
19	2SA733P	DIM	OFF	4.5	4.2	4	4.5	4.2	4
			ON	4	3	2.5	4	3	2.5
20	2SB525C	DIM	OFF	4.5	4.3	2	4.5	4.3	2
			ON	4	3	1.5	4	3	1.5
21	2SC3242AE	DIM	OFF	5	4.5	8.4	5	4.5	8.4
			ON	3.5	3	8	3.5	3	8
22	2SC945AQ			0.7	0	0	0.7	0	0
23	2SC1675L			5	5.2	7.5	5	5.2	7.5
24	2SC1675L			6	6	7	6	6	7
25	2SC1675L			0.3	0	5.5	0.3	0	5.5
26	2SC945AQ			0.1	0	0	0.6	0	0
27	2SC945AQ			0.1	0.5	4	0	0	0.8
28	2SC2086D			0	0	14	0	0	12
29	2SC941TM(0)	PA	OFF	0.5	7.5	14	3	2.5	12.5
			ON	0.5	7.5	0	1.3	0.7	0.6

TR No.	TR. NAME		RX (V)			TX (V)			
			B	E	C	B	E	C	
30	2SC945AQ		8.4	7.5	8.2	1.1	1.1	8.5	
31	2SA733P		8	8.4	1.1	7.5	8	8	
32	2SC945AQ		2	1.5	4.5	2	1.5	4.5	
33	2SC945AQ		0.7	0	0	0.2	0	0	
34	2SA733P		3.5	4	0.5	3.5	4	0.2	
35	2SC945AQ		0	0	8.4	0.9	0.8	8.4	
36	2SC945AQ		0	0	8	0.1	0.8	8	
37	2SA733P		8	8.4	0	8	8.4	0	
38	2SC945AQ		0.6	0	0	0.6	0	0	
39	2SC3242AE	DIM	OFF	7.4	6.8	8.2	7.2	6.6	8.2
			ON	4.6	4	8.2	4.6	4	8.2
40	2SA733P	DIM	OFF	6	6.8	6.8	6.4	6.8	0
			ON	3.5	4	4	3.8	4	0
41	2SA733P	DIM	OFF	1.5	2.4	0	7	5	0
			ON	0.6	1.3	0	7	2.5	0
501	2SC2166C		0	0	13	0	0	12	

IC VOLTAGE CHART

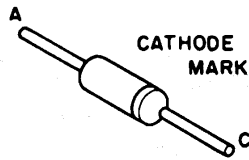
IC No.	IC NAME	IC PIN No.	RX (V)	TX (V)
1	μPC1242H	1	0	0
		2	1.8	1.8
		3	1.3	1.3
		4	0	0
		5	0	0
		6	7.2	7
		7	12.5	13
		8	13.5	13
2	SM5123A	1	2.9	2.9
		2	2.9	2.9
		3	0.2	0.2
		4	2.9	2.9
		5	2.9	2.9
		6	2.9	2.9
		7	5.4	5.4
		8	2.9	2.9
		9	0	0
		10	3	3
		11	2.9	2.9
		12	0	0
		13	1	1
		14	5.6	5.6
		15	0	0
		16	5.6	5.6
		17	2	3.2
		18	5.6	5.6
		19	4.5	2.6
		20	4.5	4.5
		21	4.5	4.5
		22	4.5	4.5
		23	4.5	4.5
		24	0	0
3	LB1710	1	2.9	2.9
		2	5.4	5.4
		3	2.9	2.9
		4	2.9	2.9
		5	2.9	2.9
		6	0.2	0.2
		7	2.9	2.9
		8	0	0
		9	5.6	5.6
		10	1.6	1.6

IC No.	IC NAME	IC PIN No.	RX (V)	TX (V)
3	LB1710	11	0.7	0.7
		12	1.6	1.6
		13	1.6	1.6
		14	1.6	1.6
		15	2.6	2.6
		16	1.6	1.6
4	TA7310P μ	1	2.4	2.4
		2	2	2
		3	1.2	1.2
		4	1.7	1.7
		5	0	0
		6	1	8
		7	2	2
		8	4	4.5
		9	1.2	6.5
5	LB1417	1	8	8
		2	3	3
		3	3	3
		4	0	0.2
		5	0	0.4
		6	0.1	4
		7	0	0
		8	5	0.5
		9	5	0.6
		10	5	0.6
		11	5	0.4
		12	5	0.4
		13	5	0.3
		14	5	0.3
6	HA17808W	1	8.2	8.2
		2	0	0
		3	13.5	13.5

SEMI-CONDUCTOR LEAD IDENTIFICATION

Diodes A: ANODE
C: CATHODE

IN60AM
IN60P
IS2076A
IN4003
IS1555
ISV73-EB
HZ6A3

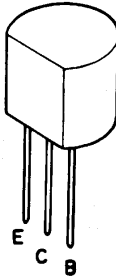


RT-242 PRS
RT-242 YS

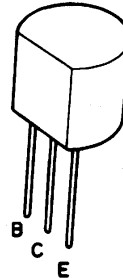


Transistors B: BASE
C: COLLECTOR
E: EMITTER

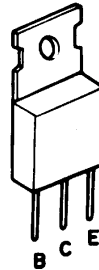
2SA733A-P
2SC941TM-O
2SC945A-Q
2SC1674-L
2SC1675-L
2SC3242A-E



2SB525-C
2SC2086-D

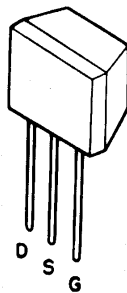


2SC2166-C

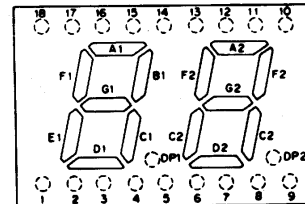


FET D: DRAIN
S: SOURCE
G: GATE

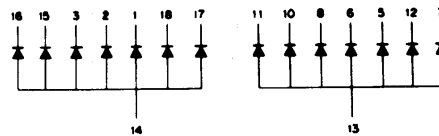
2SK192A-BL



LL-2253YG



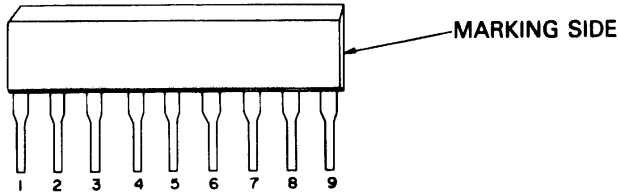
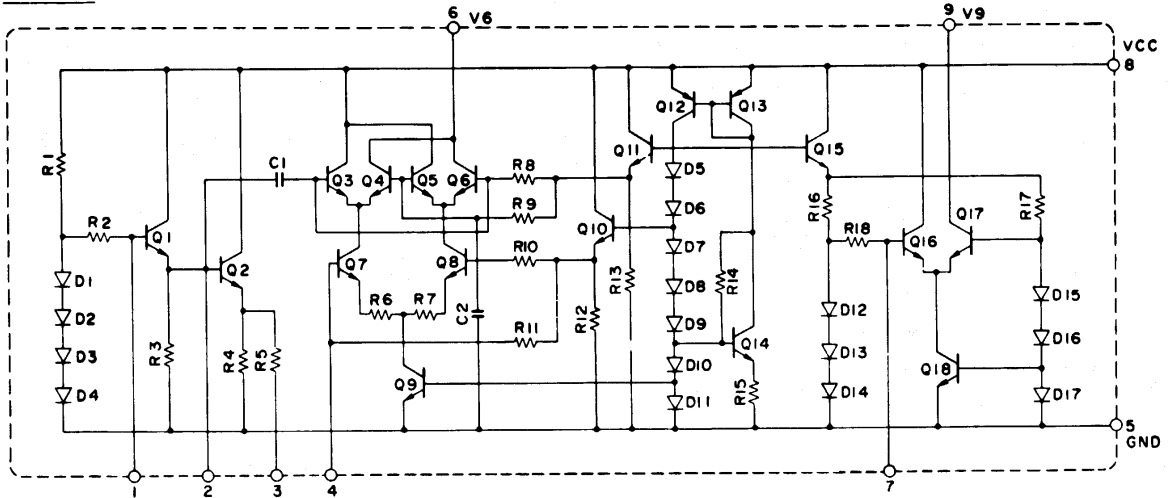
COMMON ANODE



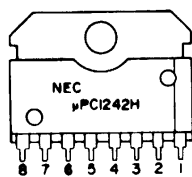
Pin no	Function	Pin no	Function
1	E1 Cathode	10	B2 Cathode
2	D1 Cathode	11	A2 Cathode
3	C1 Cathode	12	F2 Cathode
4	NC Cathode	13	DIGIT 2 Anode
5	E2 Cathode	14	DIGIT 1 Anode
6	D2 Cathode	15	B1 Cathode
7	G2 Cathode	16	A1 Cathode
8	C2 Cathode	17	G1 Cathode
9	NC Cathode	18	F1 Cathode

IC INTERNAL DIAGRAMS

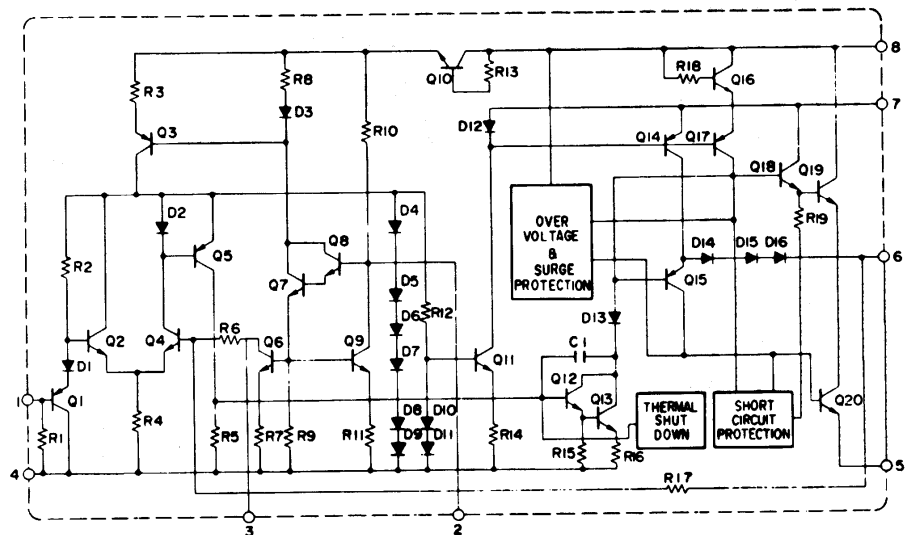
TA7310P-U



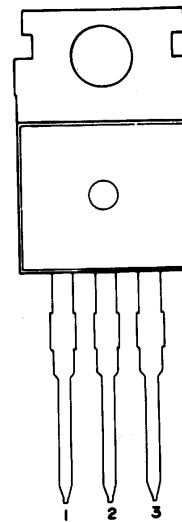
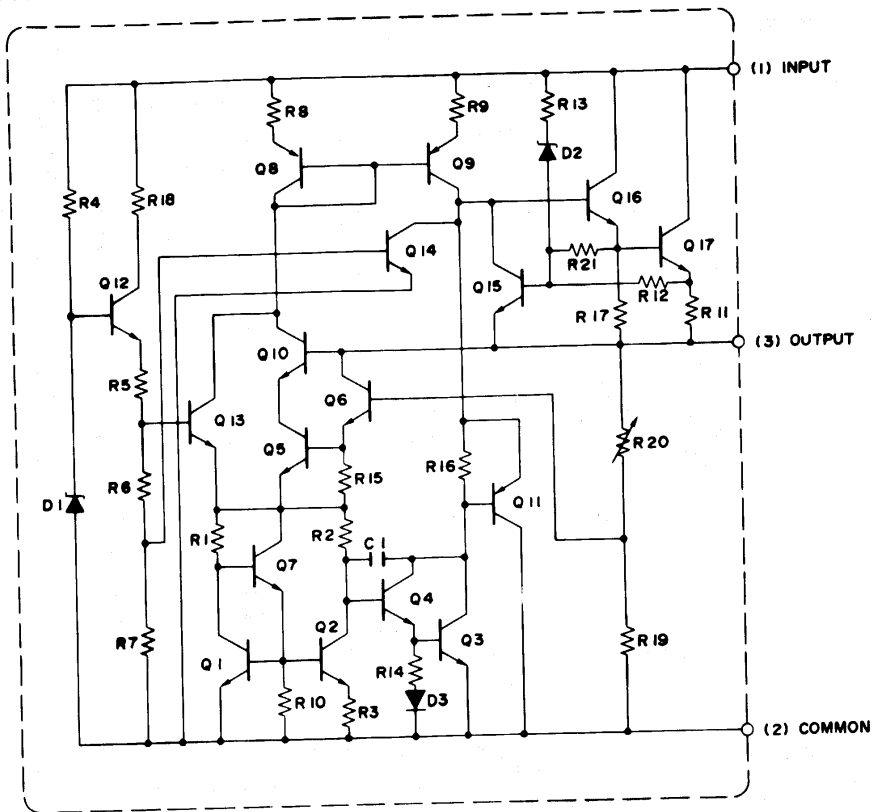
μPC1242H



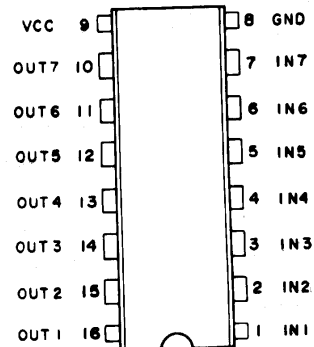
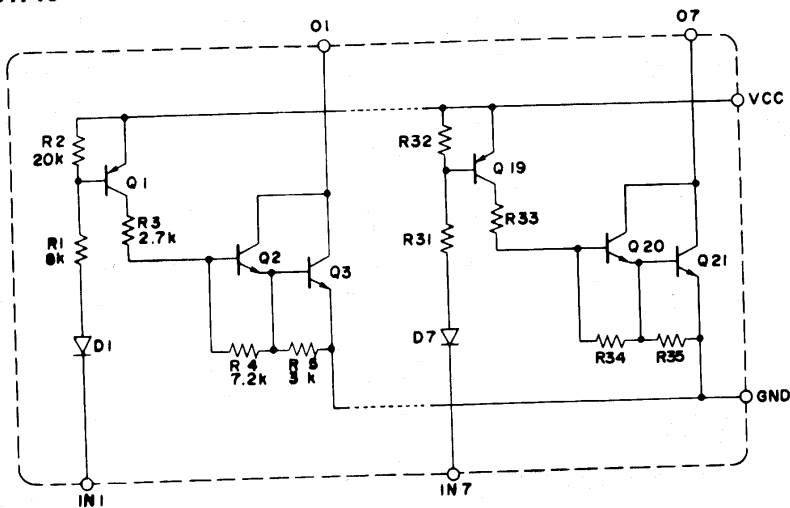
NO	μPC1242H
1	INPUT
2	RIPPLE FILTER
3	N. F. B.
4	GND
5	GND
6	OUTPUT
7	BOOTSTRAP
8	V+



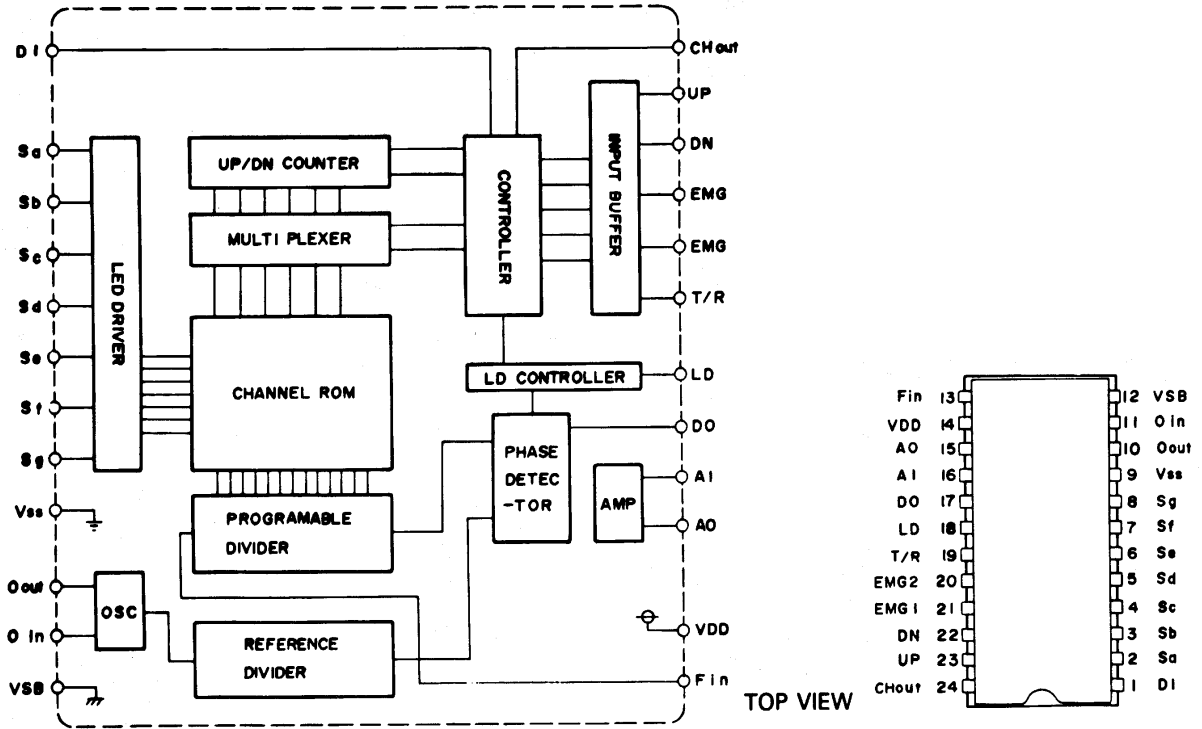
HA17808W



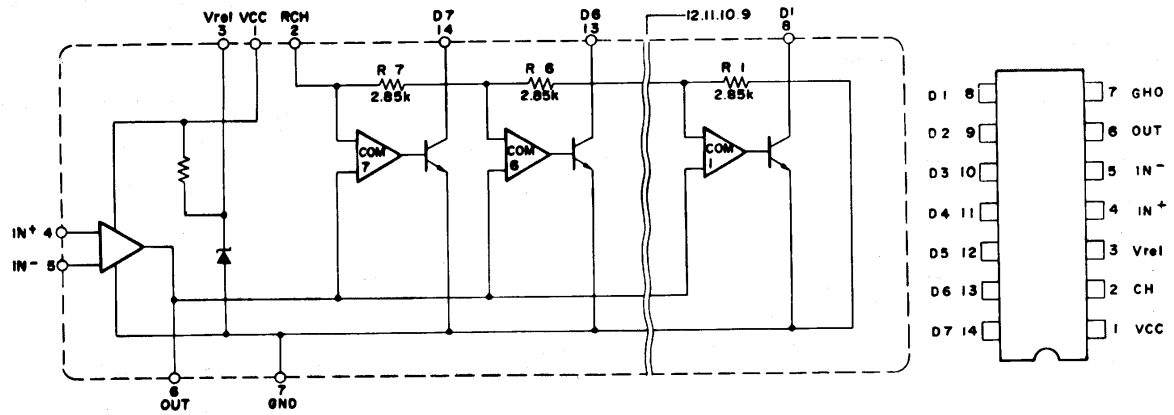
LB1710



SM5123A



LB1417



Reference No.	Manufacturer's Part Number	DYNASCAN Part Number	Reference No.	Manufacturer's Part Number	DYNASCAN Part Number
DC01,005,006	BDAY0001001	150-014-9-001	L007	BLAY0204001	046-024-9-003
DC04-027	BDAY0001002	150-006-9-001	L015	BLAY0208001	060-029-9-004
D008	BDAY0131001	151-101-9-001	L003-017	BLAY0260001	060-030-9-014
DC09,005	BDAY0133001	151-083-9-001	L005	BLAY0277001	046-025-9-004
D007,009-012,015, 016,020-023,029	BDAY0181001	151-028-9-007	L018	BLAY-373001	047-004-9-002
D018	BDAY0220001	151-137-9-001	L012	BLCY0074001	044-040-9-002
DC14,017	BDAY0269005	152-156-9-001	L013	BLDY0033001	041-083-9-003
D371	BDAY0347001	158-070-9-001	L010,011	BLEY0096001	047-044-9-001
D357-359,D361, 363-370	BDAY0348001	158-070-9-002	L014	BLEY0151001	041-128-9-001
D351,354-356, 360,362	BDAY0349001	158-070-9-003	MC951	BMKY0341001	561-008-9-001
C352,353	DBAY0350001	158-070-9-004	B351	BPAY0216AAZ	302-940-9-001
TR004,019,031, 034,037,040,041	BDBA0733115	177-020-9-001	B701	BPAY0217AAZ	302-941-9-001
TR018,020	BDBB0525103	177-045-9-001	X001	BQXY0074001	132-027-9-001
TR012,029	BDBC0941523	176-089-9-004	R171	BRSJ201504Z	011-002-5-150
TR003,005,013-017, 022,026,027,030, 032,033,035,036,038	BDBC0945507	176-062-9-001	R172	BRSJ202794Z	011-002-5-279
TR008	BDBC1674111	176-081-9-002	VR002,004	BRTY0182104	008-465-9-003
TR001,002,006,007, 010,011,023,024,025	BDBC1675111	176-065-9-001	VR001,003	BRTY0182204	008-465-9-005
TR028	BDBC2086104	176-108-9-002	VR005	BRTY0182504	008-843-9-001
TR501	BDBC2166103	176-108-9-001	VR505	BRVY0612001	008-843-9-002
TR021,039	BDBC3242536	176-191-9-001	VR504	BRVY0613001	008-843-9-003
TR009	BDCB0192533	176-191-9-001	VR503	BRVY0614001	008-843-9-004
IC004	BDEY0109002	307-328-9-001	VR502	BRVY0615001	008-843-9-005
IC001	BDEY0471001	307-415-9-001	VR501	BRVY0616001	008-843-9-006
IC006	BDEY0483001	307-415-9-002	SP501	BSPY0053001	580-073-9-001
IC003	BDEY0742001	307-415-9-003	S504	BSRY0353001	083-312-9-001
IC002	BDEY0743001	307-415-9-004	S503	BSWY0535001	088-147-9-001
IC005	BDEY0744001	307-415-9-005	S351,352	BSWY0539001	084-155-9-001
FT002	BFLY0009001	140-009-9-001	T002	BTFT0083001	042-021-9-001
FT001	BFLY0055001	143-011-9-001	T001	BTFY00177001	061-050-9-001
F951,951	BFSY0014209	191-251-3-002	FC501	BWFY0510807	428-111-9-001
J003,004	BJKY0089001	773-086-9-001	FC502	BWZY0383001	428-111-9-002
J553	BJKY0221007	777-050-9-001	WA951	GCMF217690Z	380-538-9-001
J551	BJKT0221010	777-050-9-002		GCMZ317691Z	380-538-9-002
J552	BJKY0221016	777-050-9-003		GCMZ417693Z	380-538-9-003
J501	BJKY0230001	777-050-9-004		GCSZ17700Z	380-538-9-004
J502	BJKY0325001	777-050-9-005		GHDL317692Z	380-538-9-005
J353	BJKY0328007	777-050-9-006		GMSC405736Z	634-204-9-001
J351	BJKY0328010	777-050-9-007		GNBP417694Z	384-075-9-001
J352	BJKY0328016	777-050-9-008		GNBP417695Z	384-075-9-002
J505	BJKY0329001	777-050-9-009		GNBP417696Z	384-075-9-003
L002	BLAY0029001	066-017-9-001		GNBP417697Z	384-075-9-004
L016	BLAY0088001	066-019-9-002		GNBP417698Z	384-075-9-005
L004	BLAY012001	046-037-9-001		GNBP417699Z	384-075-9-006
L006	BLAY0163001	060-022-9-001		GNBP417701Z	384-075-9-007
L008	BLAY0165001	044-046-9-001		GNBP417702Z	384-075-9-008
L009	BLAY0166001	066-025-9-005		GNBY417703Z	751-313-9-001
L001	BLAY018-1001	060-024-9-002		HBCT416503Z	250-198-9-001
				HCMB317707Z	252-054-9-001
				HCMT317706Z	253-134-9-001
				HMHG402919Z	741-074-9-001
				HSDP317736Z	256-227-9-001
				KDPZ417704Z	600-166-9-002