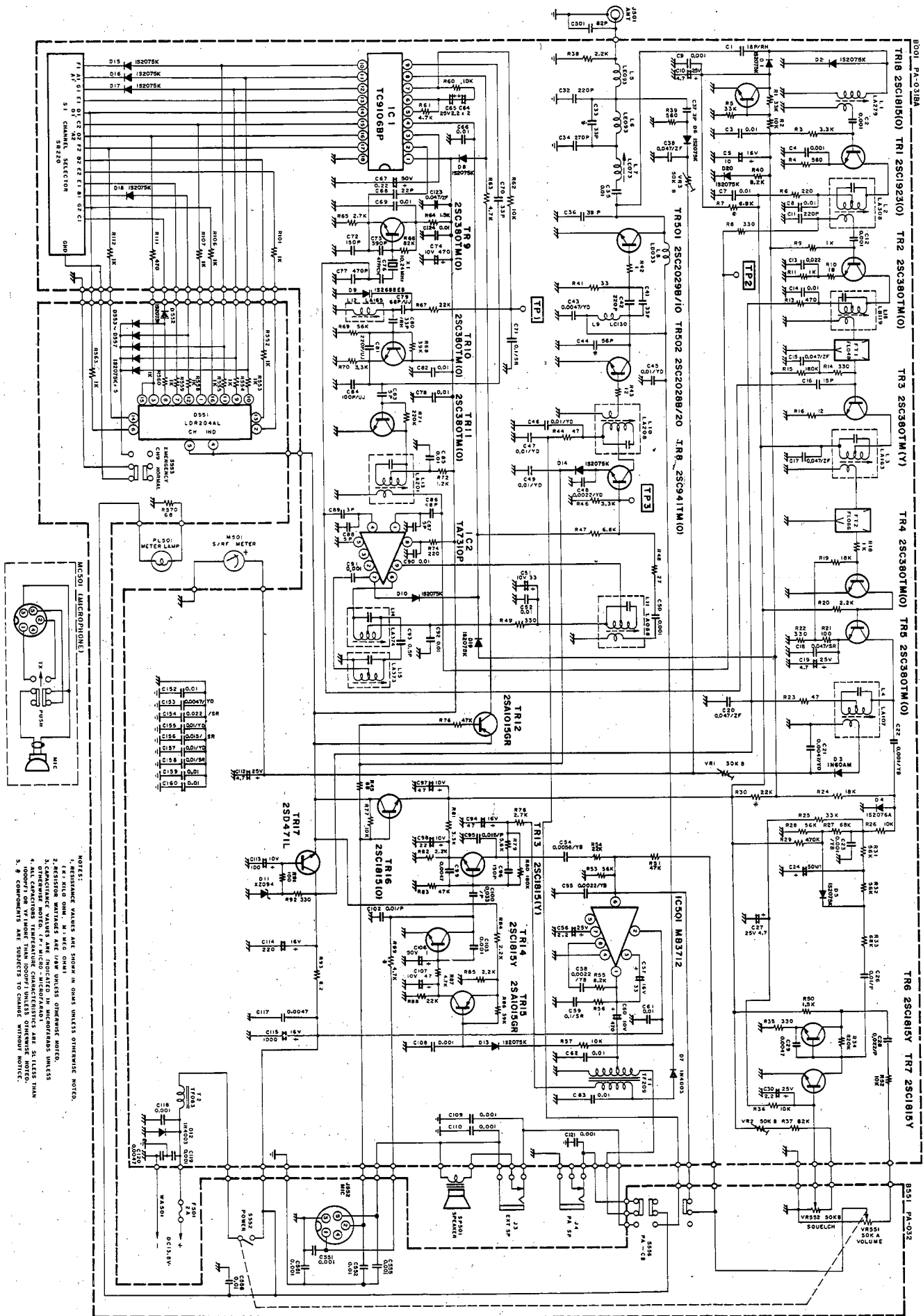


CIRCUIT DIAGRAM FOR COBRA 20LTD.



- NOTES:
1. RESISTANCE VALUES ARE SHOWN IN OHMS UNLESS OTHERWISE NOTED.
 2. 1K = 1,000 OHMS; 1M = 1,000,000 OHMS; UNLESS OTHERWISE NOTED.
 3. CAPACITANCE VALUES ARE INDICATED IN MICROFARADS UNLESS OTHERWISE NOTED; P = PICO; MICROFARAD.
 4. RESISTOR AND CAPACITOR VALUES IN PARENTHESES ARE AT LEAST 1% TOLERANCE UNLESS OTHERWISE NOTED.
 5. * COMPONENTS ARE SUBJECTS TO CHANGE WITHOUT NOTICE.

