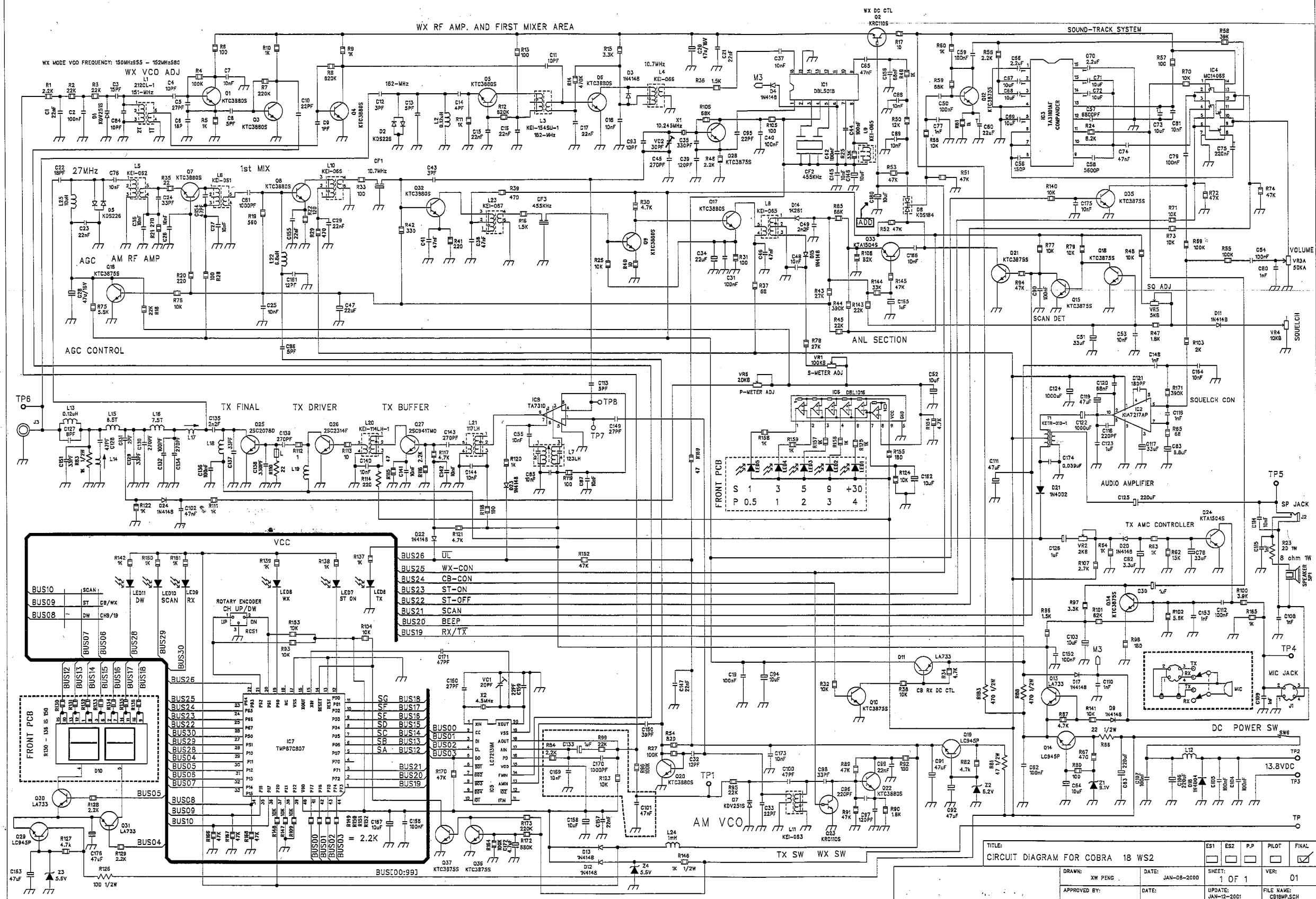


# CIRCUIT DIAGRAM FOR COBRA 18WS2



TITLE:		CIRCUIT DIAGRAM FOR COBRA 18 WS2		ES1	ES2	P.P.	PILOT	FINAL
DRAWN:	XW PENG	DATE:	JAN-08-2000	<input type="checkbox"/>	<input type="checkbox"/>	<input type="checkbox"/>	<input type="checkbox"/>	<input checked="" type="checkbox"/>
APPROVED BY:		DATE:						
SHEET:	1 OF 1	UPDATE:	JAN-12-2001					01
FILE NAME:	CB18WS2.SCH							