

LIMITED WARRANTY

Every Wawasee Electronic's unit is checked very carefully. Once in a while, a less-than-perfect unit goes out . . . or a part is missing from the package. If there is a problem with your Wawasee Electronic's purchase, we'd like to correct it. Return the unit to your dealer or distributor and they will return it to the factory.

Your Wawasee Electronic's unit is guaranteed to the original purchaser for a period of one year from the purchase date — under normal use and service — against defective materials or workmanship. Defective parts will be repaired, adjusted, and/or replaced when it is returned prepaid to Wawasee Electronics Co., Inc., Consumer Service Facility by your dealer. The warranty is void if unit has been visibly damaged by accident, misuse, or if it has been serviced or modified by any person other than a Wawasee Electronics Service Facility.

The warranty contains the entire obligation of Wawasee Electronics Co., Inc. and no other warranties expressed, implied, or statutory are given. The warranty is void unless the Purchase Registration Card has been properly completed and mailed to Wawasee Electronics Co., Inc. within 10 days of purchase.

IMPORTANT WARRANTY PROGRAM INFORMATION — Please read carefully
Whenever a Wawasee Electronics unit is sold to a customer, the WARRANTY CARD must be filled out by the customer and returned to the FACTORY WITHIN 10 DAYS OF PURCHASE in order for the warranty to be valid as stated in the warranty card. If a unit has been previously repaired, the yellow copy of the repair invoice must be attached to the unit. The original copy of the repair invoice must be attached to the bill of sale must be with the unit to verify that it is an in stock unit. If a unit is being sent in FOR A CUSTOMER by his Distributor or Dealer the NAME of the CUSTOMER that will be on the warranty card should be included on a note with the unit.

SAVE YOUR ORIGINAL PACKAGE AND PACKING — If a unit is received damaged, as a result of NOT being packed in original package and packing, Wawasee Electronics and/or the carrier will not be liable for that damage. As soon as possible, the warranty parts will be returned to customer upon written request at time of repair.

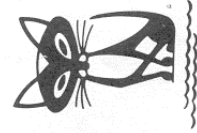
WARRANTY — Warranty on new units is for 90 days to original purchaser from date of purchase under normal use and service. 90 DAY WARRANTY ON UNITS repaired. Unit must be accompanied with yellow copy of repair invoice.

VOID WARRANTY — Warranty is void when the technician determines a unit has been modified. Any unit operated on an improper load, such as a defective antenna, or purchase. Any unit which has no warranty card on file for the particular unit within 10 days of purchase.

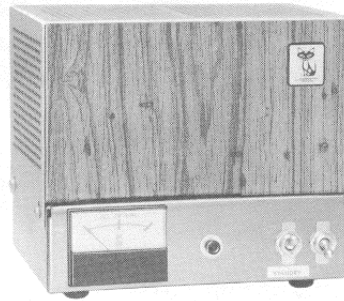
Any unit struck by lightning. Any unit modified or serviced improperly by persons other than Wawasee Service Facility. Any unit damaged by accident or misuse.

PLACE
STAMP
HERE

WAWASEE ELECTRONICS
P.O. Box 36
Syracuse, Indiana 46567



JB 12B/RB



WAWASEE ELECTRONICS

P.O. Box 36 • Syracuse, Indiana 46567 • Phone (219) 457-3191

OPERATING INSTRUCTIONS

DESCRIPTION

The model JB 12B/RB is a 120 VAC base receiver preamplifier also known as a receiver booster. These units will take a low level signal and boost is approximately 3-4 S units on receive. This gain factor will be dependent upon the type of AGC (automatic gain control) circuitry designed into the various receivers. This means that a receiver that has an AGC circuit will automatically cut back any strong signal to prevent overloading the sensitive front end of the receiver; therefore, it helps to eliminate distortion and saturation of the bandwidth characteristics of the receiver known as co channel interference.

The boosters will provide more gain on poorly designed AGC systems as compared to the better ones. In all cases there will be a noticeable boost in receive signal when using the JB 12B/RB.

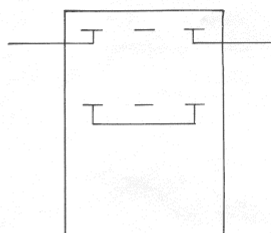
OPERATION

Use a three feet or longer piece of 50 ohm co-ax cable from your transceiver and connect it to the input terminal of the booster. Connect your antenna to the output terminal of the booster. Make sure the standby switch is in the down position. This will allow the antenna transfer relay to function for automatic switching when you transmit. Plug the booster into a 120 VAC socket; turn the unit on and wait for the unit to warm up for about two minutes. Your received signal will now be boosted.

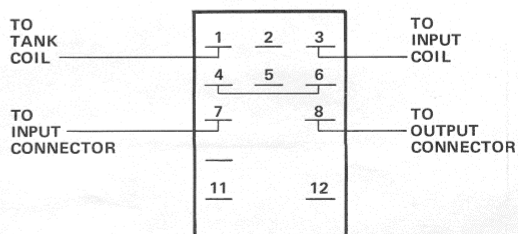
DANGER

YOU CANNOT TRANSMIT WHEN THE UNIT IS TURNED OFF. TRANSMITTING WITH THE UNIT OFF WILL POSSIBLY DESTROY THE TRANSMITTING FINAL.

Booster relay

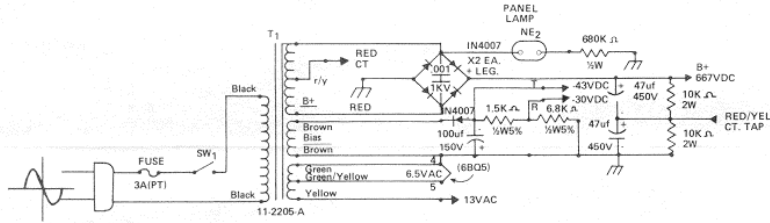
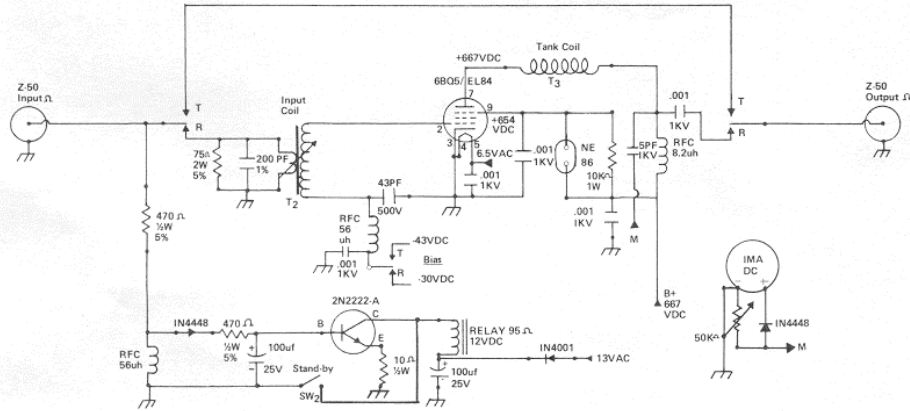


JB 12B/RB

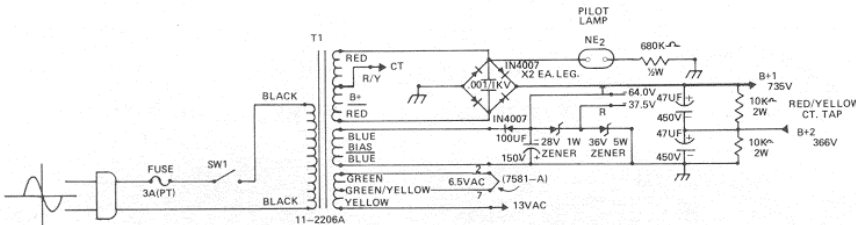
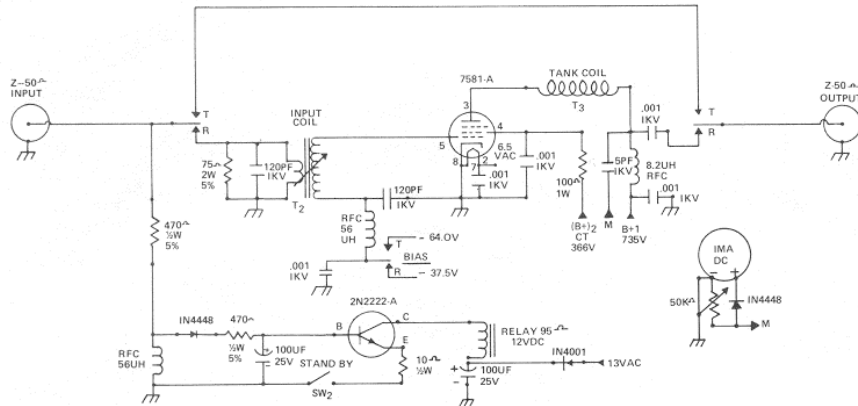


JB 12B/RB NOTES

- All resistances are in ohms. $\pm 10\%$ unless otherwise noted.
- All voltages are measured from chassis ground and are $\pm 10\%$.
- Relay is in receive boost position.
- Stand-by switch is in receive boost position.



JB-12-B/RB	SERIES B
RECEIVE BOOST AMPLIFIER	
WAWASEE ELECTRONICS	
SYRACUSE, INDIANA 46567	
NOV. 1977	ck R.M. DR. B.A.



JB-150 B/RB	SERIES B
RECEIVE BOOST AMPLIFIER	
WAWASEE ELECTRONICS	
SYRACUSE, INDIANA 46567	
NOV. 1977	ck R.M. DR. B.A.