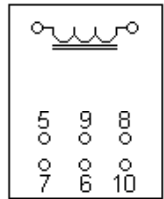
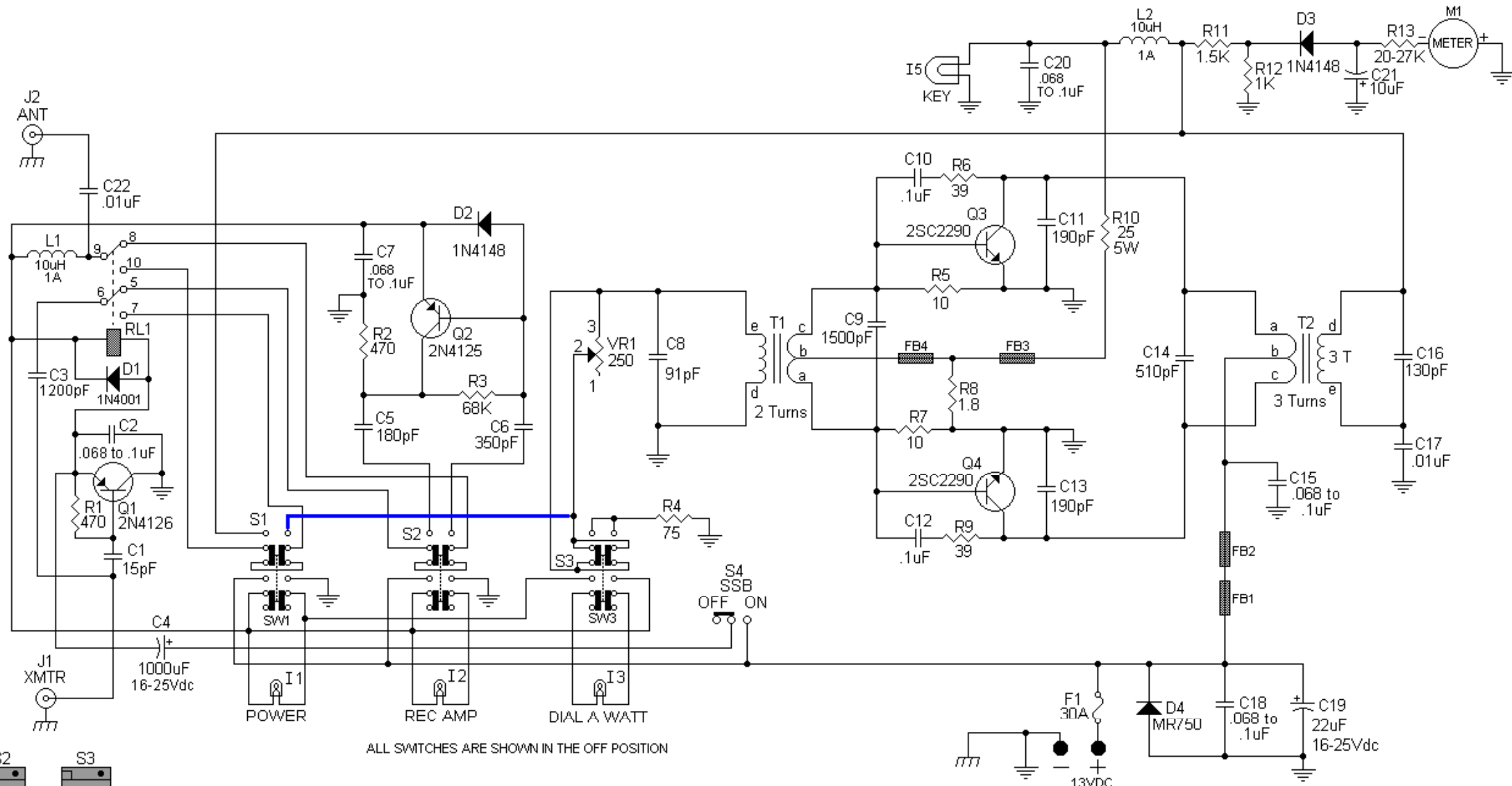


RL1  
BOTTOM VIEW



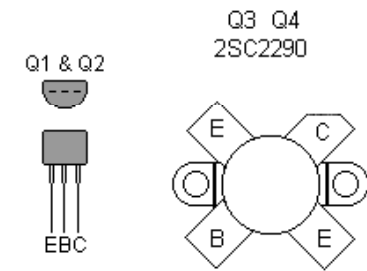
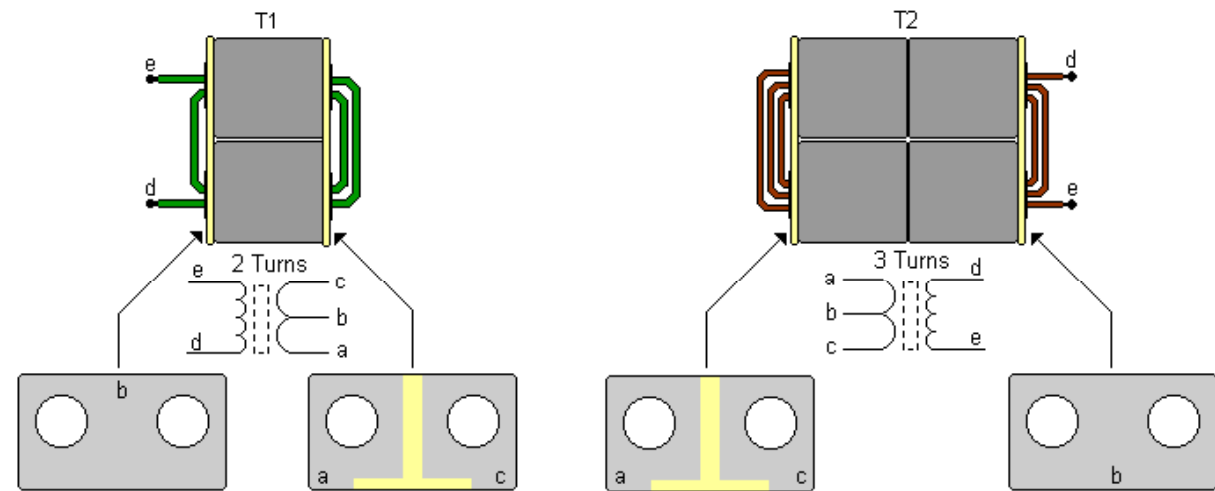
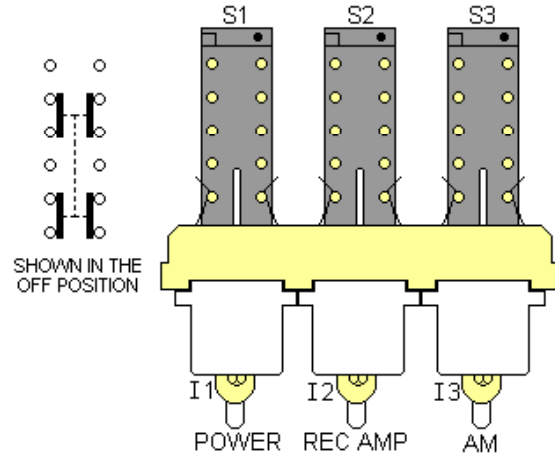
Aromat  
K2T-12V-9-H1  
Coil 12Vdc 185ohm  
1A @ 125vac  
2A @ 28vdc



ALL SWITCHES ARE SHOWN IN THE OFF POSITION

**NOTE:**

1. The wire colors used in this diagram will vary from the amp. Also the wire color will vary from amp to amp.
2. The component type will vary from amp to amp see text for more information.



**Texas Star DX 250HDV Killer Bee**  
Rev. # 1.2  
Copyright © 2006, CBTricks.com All Rights Reserved