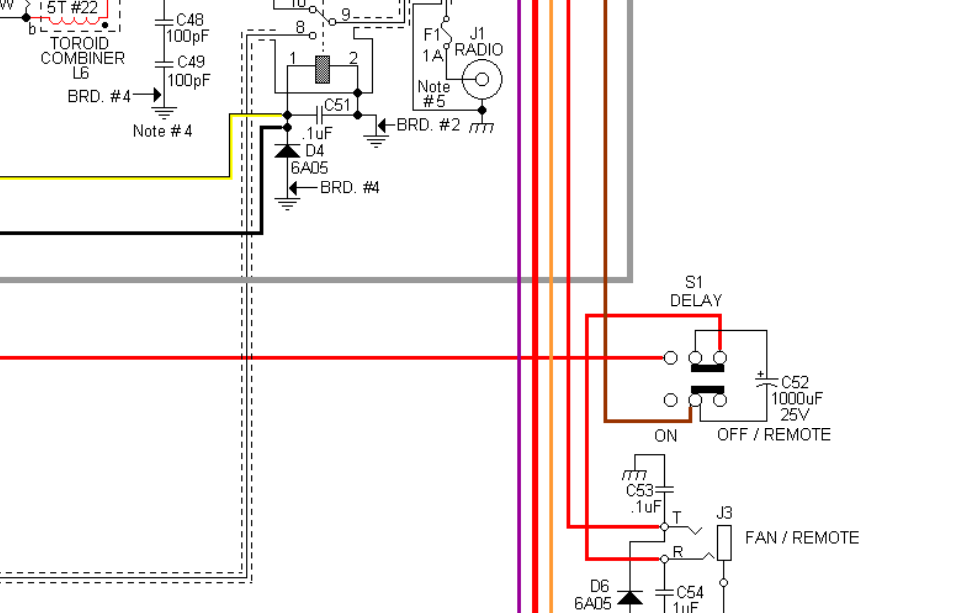
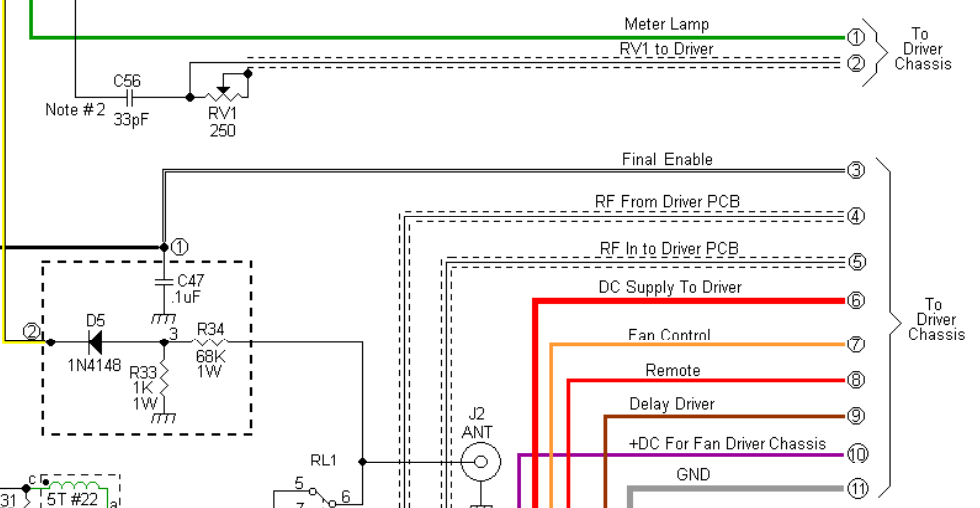
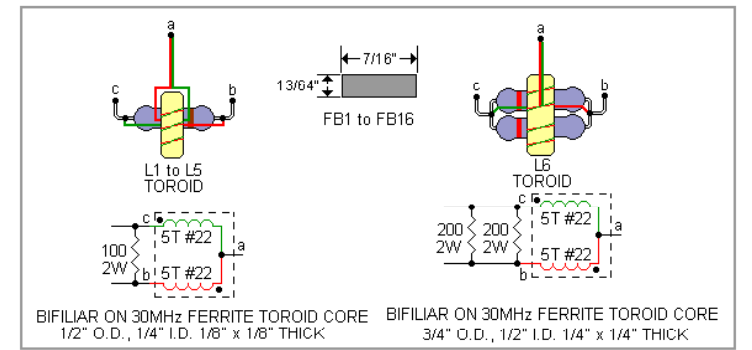
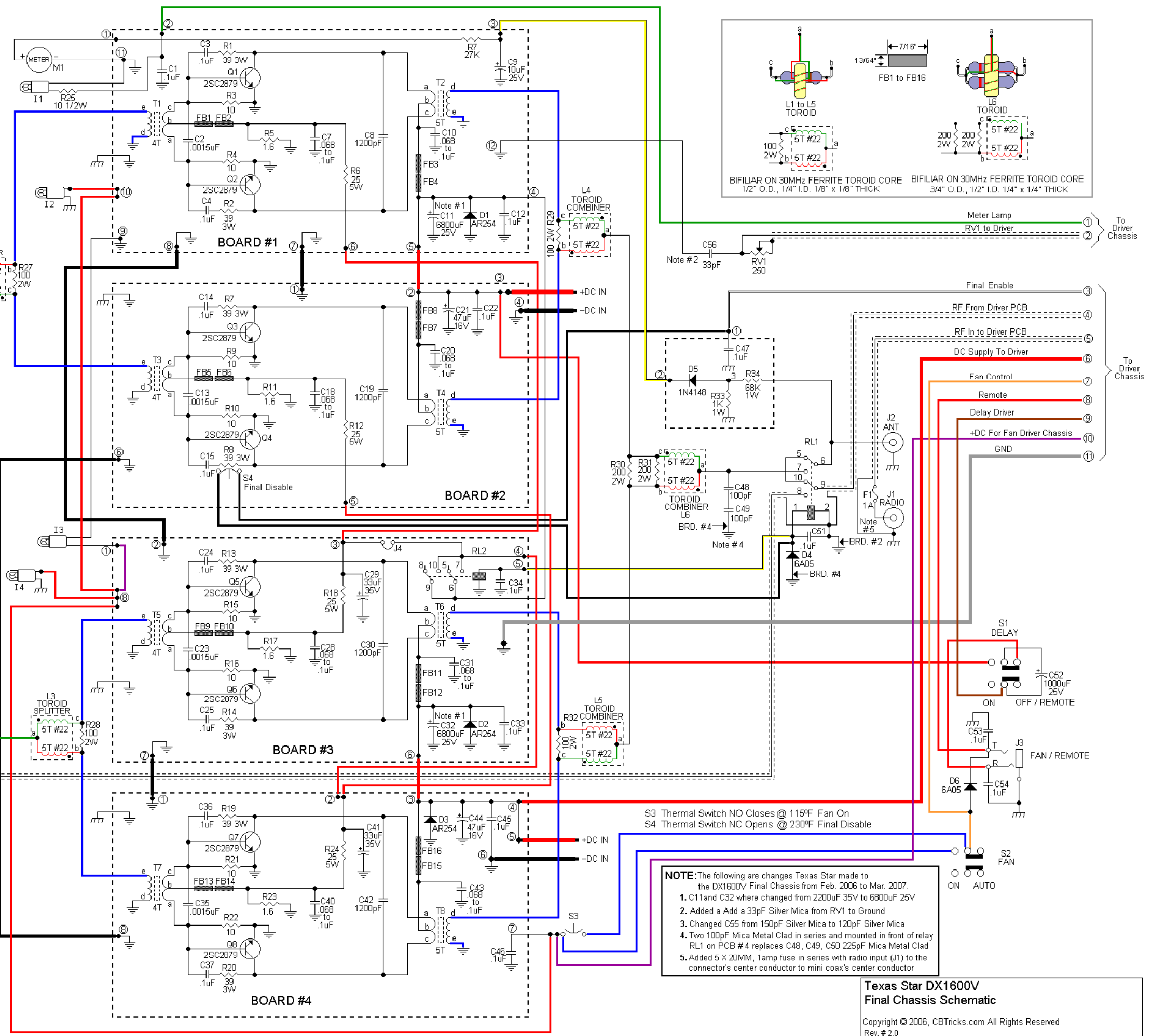
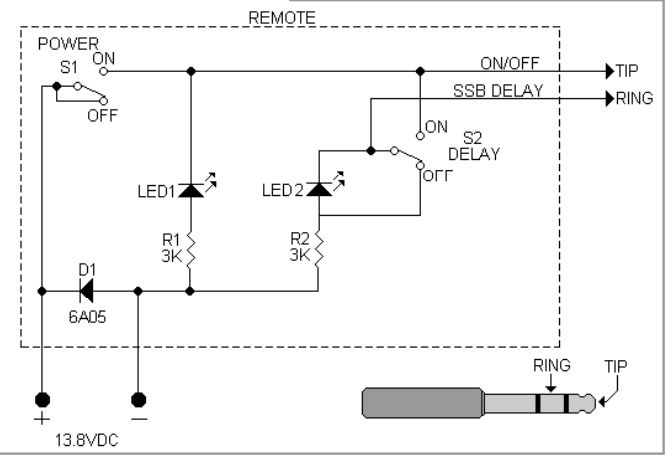


Aromat  
SP2-DC12V AR102198  
15A / 2HP 125,250VAC  
10A 30VDC

Aromat  
12T-12V-9-H1  
Coil 12Vdc 185  
1A @ 125vac  
2A @ 28vdc  
Relay RL2 was  
changed Mid 2007 to  
Fujitsu LZ-12VM-K,  
SPST-NO, 10 amp.



S3 Thermal Switch NO Closes @ 115°F Fan On  
S4 Thermal Switch NC Opens @ 230°F Final Disable

**NOTE:**The following are changes Texas Star made to the DX1600V Final Chassis from Feb. 2006 to Mar. 2007.

1. C11 and C32 where changed from 2200uF 35V to 6800uF 25V
2. Added a Add a 33pF Silver Mica from RV1 to Ground
3. Changed C55 from 150pF Silver Mica to 120pF Silver Mica
4. Two 100pF Mica Metal Clad in series and mounted in front of relay RL1 on PCB #4 replaces C48, C49, C50 225pF Mica Metal Clad
5. Added 5 x 2UMM, 1amp fuse in series with radio input (J1) to the connector's center conductor to mini coax's center conductor