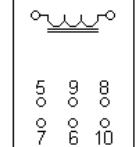
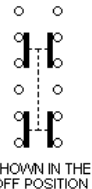


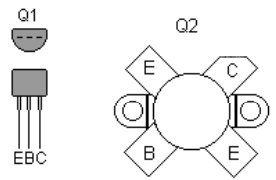
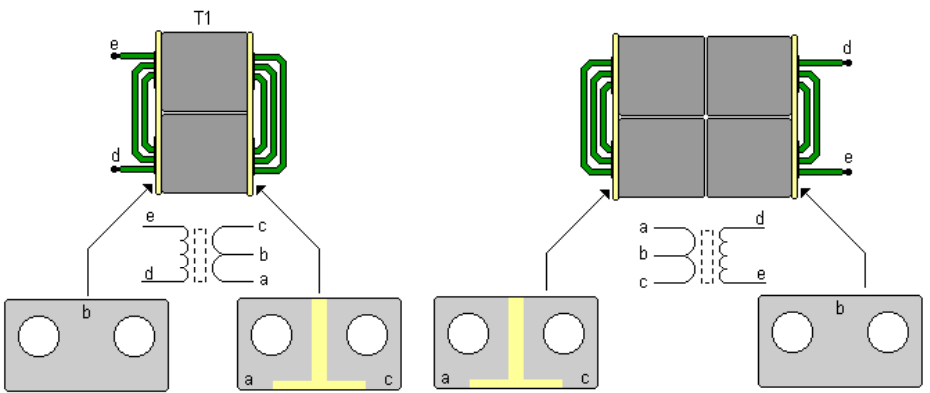
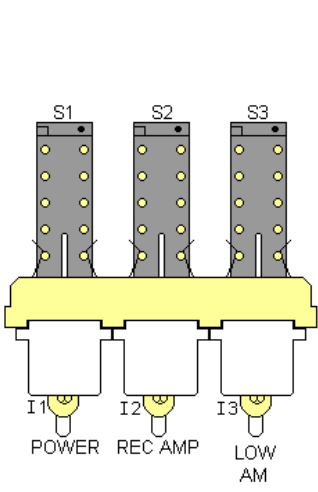
RL1
BOTTOM VIEW



Aromat
K2T-12V-9-H1
Coil 12Vdc 185ohm
1A @ 125vac
2A @ 28vdc



ALL SWITCHES ARE SHOWN IN THE OFF POSITION



NOTE:

1. The wire colors used in this diagram will vary from the amp. Also the wire color will vary from amp to amp.
2. The component type will vary from amp to amp see text for more information.

Texas Star DX100
Rev. # 1.1
Copyright © 2007, CBTricks.com All Rights Reserved