

## PALOMAR Elite 500

This amp was made under a number of names like Combo 500 and some do not have a name on them. The best way to tell, there is a reset switch and I think all of them have a 35A on it.

Check these over if you find an error please e-mail us at [webmaster@cbtricks.com](mailto:webmaster@cbtricks.com).

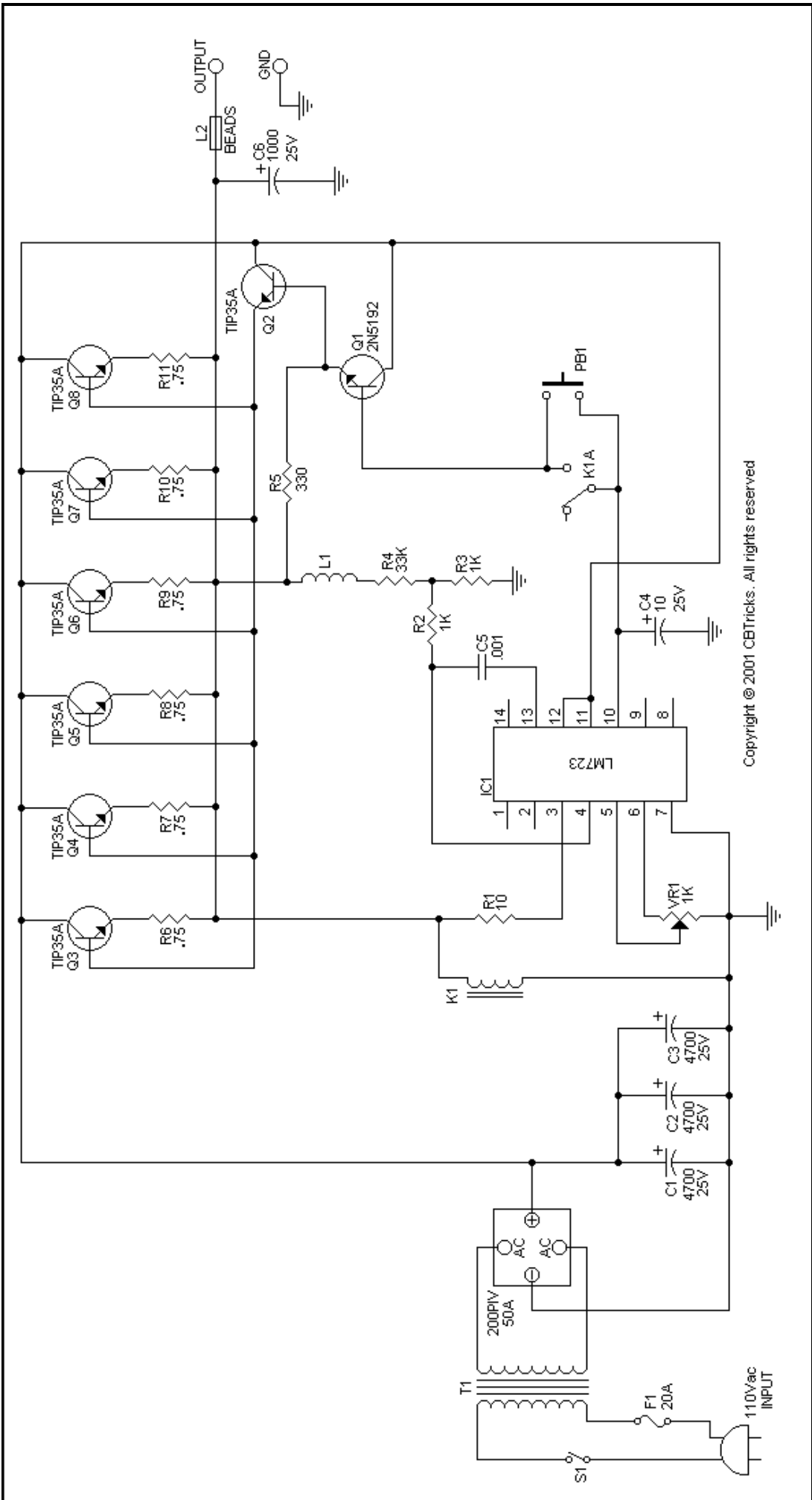
Enjoy

### First Draft

Rev.#1.0 Jan. 2001

Page 1 Power Supply

Page 2 Amp



Copyright © 2001 CETricks. All rights reserved

