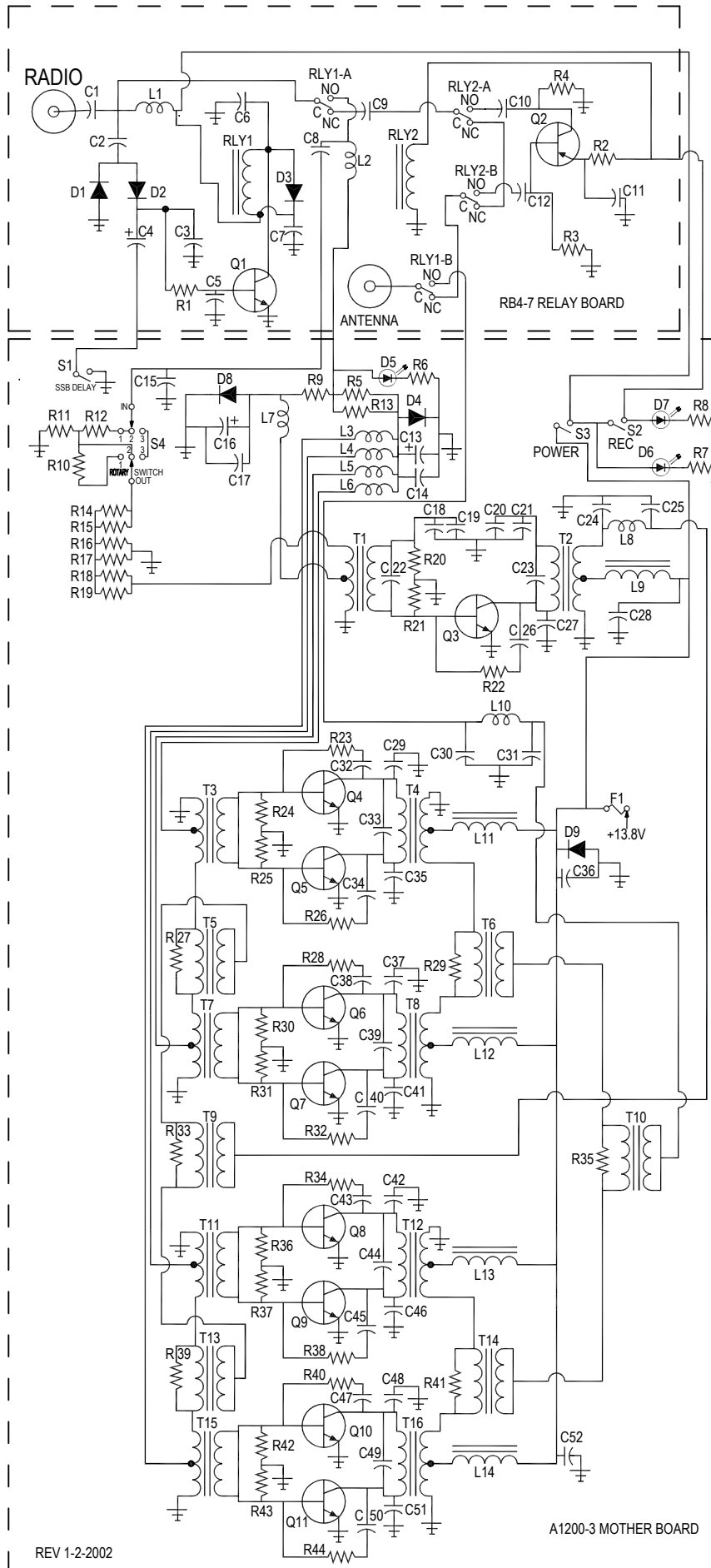


Messenger Class AB1-Model M4V



RB4-7 RELAY BOARD

- R1-6.8K $\frac{1}{4}$ Watt Carbon Film Resistor
- R2-470 $\frac{1}{4}$ Watt Carbon Film Resistor
- R3-3.3M $\frac{1}{4}$ Watt Carbon Film Resistor
- R4-1K $\frac{1}{4}$ Watt Carbon Film Resistor
- C1-01uF Disc Cerramic Capacitor
- C2-50pF Disc Cerramic Capacitor
- C3-01uF Disc Cerramic Capacitor
- C4-10uF/25V Electrolytic Capacitor
- C5-01uF Disc Cerramic Capacitor
- C6-01uF Disc Cerramic Capacitor
- C7-01uF Disc Cerramic Capacitor
- C8-01uF Disc Cerramic Capacitor
- C9-01uF Disc Cerramic Capacitor
- C10-150pF Disc Cerramic Cap
- C11-01uF Disc Cerramic Cap
- C12-150pF Disc Cerramic Cap
- D1-1N4148 Diode
- D2-1N4148 Diode
- D3-1N4148 Diode
- L1-22uH Inductor
- L2-22uH Inductor
- Q1-2N3904 Transistor
- Q2-2N3906 Transistor
- RLY1-DPDT 5 Amp Relay
- RLY2-DPDT 2 Amp Relay

A1200-3 MOTHER BOARD

- R5-40 $\frac{1}{4}$ 10 Watt Wire Wound Resistor
- R6-1K $\frac{1}{4}$ Watt Carbon Film Resistor
- R7-15K $\frac{1}{4}$ Watt Carbon Film Resistor
- R8-1K $\frac{1}{4}$ Watt Carbon Film Resistor
- R9-90 $\frac{1}{4}$ 5 Watt Wire Wound Resistor
- R10-39 $\frac{1}{4}$ 2 Watt Carbon Film Resistor
- R11-82 $\frac{1}{4}$ 2 Watt Carbon Film Resistor
- R12-15K $\frac{1}{4}$ 2 Watt Carbon Film Resistor
- R13-40 $\frac{1}{4}$ 10 Watt Wire Wound Resistor
- R14-39 $\frac{1}{4}$ 2 Watt Carbon Film Resistor
- R15-39 $\frac{1}{4}$ 2 Watt Carbon Film Resistor
- R16-150 $\frac{1}{4}$ 2 Watt Carbon Film Resistor
- R17-100 $\frac{1}{4}$ 2 Watt Carbon Film Resistor
- R18-39 $\frac{1}{4}$ 2 Watt Carbon Film Resistor
- R19-39 $\frac{1}{4}$ 2 Watt Carbon Film Resistor
- R20-10 $\frac{1}{4}$ $\frac{1}{2}$ Watt Carbon Film Resistor
- R21-10 $\frac{1}{4}$ $\frac{1}{2}$ Watt Carbon Film Resistor
- R22-100 $\frac{1}{4}$ 2 Watt Carbon Film Resistor
- R23-100 $\frac{1}{4}$ 2 Watt Carbon Film Resistor
- R24-10 $\frac{1}{4}$ $\frac{1}{2}$ Watt Carbon Film Resistor
- R25-10 $\frac{1}{4}$ $\frac{1}{2}$ Watt Carbon Film Resistor
- R26-100 $\frac{1}{4}$ 2 Watt Carbon Film Resistor
- R27-100 $\frac{1}{4}$ 2 Watt Carbon Film Resistor
- R28-100 $\frac{1}{4}$ 2 Watt Carbon Film Resistor
- R29-100 $\frac{1}{4}$ 2 Watt Carbon Film Resistor
- R30-10 $\frac{1}{4}$ $\frac{1}{2}$ Watt Carbon Film Resistor
- R31-10 $\frac{1}{4}$ $\frac{1}{2}$ Watt Carbon Film Resistor
- R32-100 $\frac{1}{4}$ 2 Watt Carbon Film Resistor
- R33-100 $\frac{1}{4}$ 2 Watt Carbon Film Resistor
- R34-100 $\frac{1}{4}$ 2 Watt Carbon Film Resistor
- R35-100 $\frac{1}{4}$ 2 Watt Carbon Film Resistor
- R36-10 $\frac{1}{4}$ $\frac{1}{2}$ Watt Carbon Film Resistor
- R37-10 $\frac{1}{4}$ $\frac{1}{2}$ Watt Carbon Film Resistor
- R38-100 $\frac{1}{4}$ 2 Watt Carbon Film Resistor
- R39-100 $\frac{1}{4}$ 2 Watt Carbon Film Resistor
- R40-100 $\frac{1}{4}$ 2 Watt Carbon Film Resistor
- R41-100 $\frac{1}{4}$ 2 Watt Carbon Film Resistor
- R42-10 $\frac{1}{4}$ $\frac{1}{2}$ Watt Carbon Film Resistor
- R43-10 $\frac{1}{4}$ $\frac{1}{2}$ Watt Carbon Film Resistor
- R44-100 $\frac{1}{4}$ 2 Watt Carbon Film Resistor
- C1-100uF/25V Electrolytic Capacitor
- C2-01uF Disc Cerramic Capacitor
- C3-01uF Disc Cerramic Capacitor
- C4-01uF Disc Cerramic Capacitor
- C5-50pF DM15 Dipped Mica Capacitor
- C6-100uF/25V Electrolytic Capacitor
- C7-01uF Disc Cerramic Capacitor
- C8-01uF Disc Cerramic Capacitor
- C9-01uF Disc Cerramic Capacitor
- C10-01uF Disc Cerramic Capacitor
- C11-01uF Disc Cerramic Capacitor
- C12-330pF DM15 Dipped Mica Capacitor
- C13-500pF DM15 Dipped Mica Capacitor
- C14-45pF to 200pF Variable Trimmer Cap
- C15-75pF DM15 Dipped Mica Capacitor
- C16-01uF Disc Cerramic Capacitor
- C17-100pF DM15 Dipped Mica Capacitor
- C18-01uF Disc Cerramic Capacitor
- C19-01uF Disc Cerramic Capacitor
- C20-01uF Disc Cerramic Capacitor
- C21-01uF Disc Cerramic Capacitor
- C22-330pF DM15 Dipped Mica Capacitor
- C23-500pF DM15 Dipped Mica Capacitor
- C24-45pF to 200pF Variable Trimmer Cap
- C25-75pF DM15 Dipped Mica Capacitor
- C26-01uF Disc Cerramic Capacitor
- C27-100pF DM15 Dipped Mica Capacitor
- C28-01uF Disc Cerramic Capacitor
- C29-100pF DM15 Dipped Mica Capacitor
- C30-75pF DM15 Dipped Mica Capacitor
- C31-45pF to 200pF Variable Trimmer Cap
- C32-01uF Disc Cerramic Capacitor
- C33-430pF DM19 Dipped Mica Capacitor
- C34-01uF Disc Cerramic Capacitor
- C35-100pF DM15 Dipped Mica Capacitor
- C36-01uF Disc Cerramic Capacitor
- C37-100pF DM15 Dipped Mica Capacitor
- C38-01uF Disc Cerramic Capacitor
- C39-430pF DM19 Dipped Mica Capacitor
- C40-01uF Disc Cerramic Capacitor
- C41-100pF DM15 Dipped Mica Capacitor
- C42-100pF DM15 Dipped Mica Capacitor
- C43-01uF Disc Cerramic Capacitor
- C44-430pF DM19 Dipped Mica Capacitor
- C45-01uF Disc Cerramic Capacitor
- C46-100pF DM15 Dipped Mica Capacitor
- C47-01uF Disc Cerramic Capacitor
- C48-100pF DM15 Dipped Mica Capacitor
- C49-430pF DM19 Dipped Mica Capacitor
- C50-01uF Disc Cerramic Capacitor
- C51-100pF DM15 Dipped Mica Capacitor
- C52-01uF Disc Cerramic Capacitor
- D4-1N4001 Diode
- D5-LED T1
- D6-LED T1
- D7-LED T1
- D8-1N4001 Diode
- D9-1N5400 Diode
- F1-AGU60 Amp Fuse
- L3-22uH Inductor
- L4-22uH Inductor
- L5-22uH Inductor
- L6-22uH Inductor
- L7-22uH Inductor
- L8-6 Turn Coil
- L9-R F Beads
- L10-6 Turn Coil
- L11-R F Beads
- L12-R F Beads
- L13-R F Beads
- L14-R F Beads
- Q3-SD1446 Thomson Transistor
- Q4-SD1446 Thomson Transistor
- Q5-SD1446 Thomson Transistor
- Q6-SD1446 Thomson Transistor
- Q7-SD1446 Thomson Transistor
- Q8-SD1446 Thomson Transistor
- Q9-SD1446 Thomson Transistor
- Q10-SD1446 Thomson Transistor
- Q11-SD1446 Thomson Transistor
- S1-SPST Switch (AM/SSB Delay)
- S2-SPST Switch (REC ON/OFF)
- S3-SPST Switch (PWR ON/OFF)
- S4-DP3T Rotary Switch
- T1-1/2 inch 4 Turn Transformer
- T2-1/2 inch 4 Turn Transformer
- T3-1/2 inch 4 Turn Transformer
- T4-1 inch 4 Turn Transformer
- T5-1/2 inch 7 Turn Transformer
- T6-1 inch 7 Turn Transformer
- T7-1/2 inch 4 Turn Transformer
- T8-1 inch 4 Turn Transformer
- T9-1/2 inch 7 Turn Transformer
- T10-1 inch 7 Turn Transformer
- T11-1/2 inch 4 Turn Transformer
- T12-1/2 inch 4 Turn Transformer
- T13-1/2 inch 7 Turn Transformer
- T14-1 inch 7 Turn Transformer
- T15-1/2 inch 4 Turn Transformer
- T16-1 inch 7 Turn Transformer
- DC Cable-#8 Red PVC
- DC Cable-#8 Black PVC

REV 1-2-2002

A1200-3 MOTHER BOARD