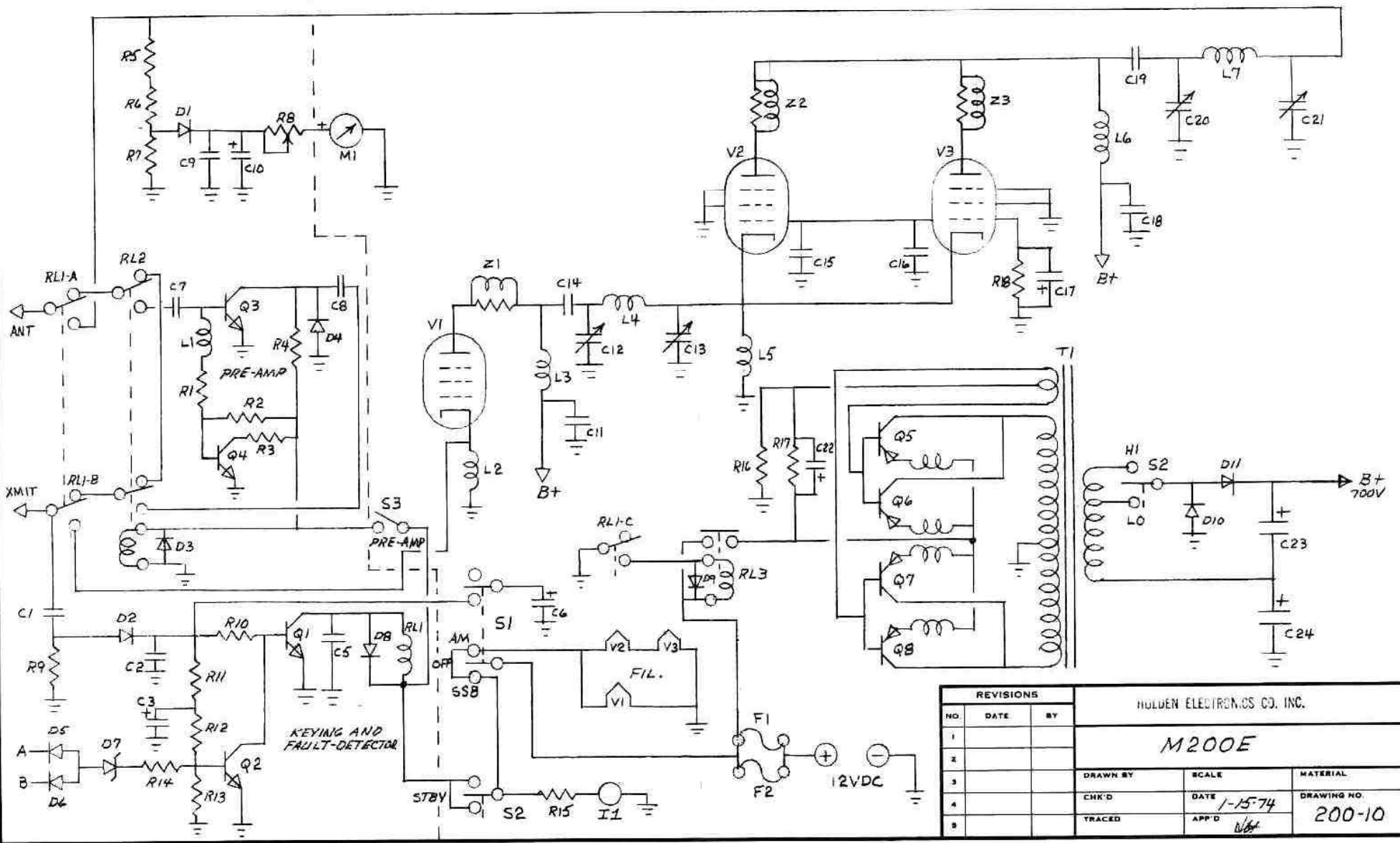


P.C. BOARD



REVISIONS			HOLDEN ELECTRONICS CO., INC.		
NO.	DATE	BY	M200E		
1			DRAWN BY	SCALE	MATERIAL
2			CHK'D	DATE 1-15-74	DRAWING NO.
3			TRACED	APP'D <i>[Signature]</i>	200-10