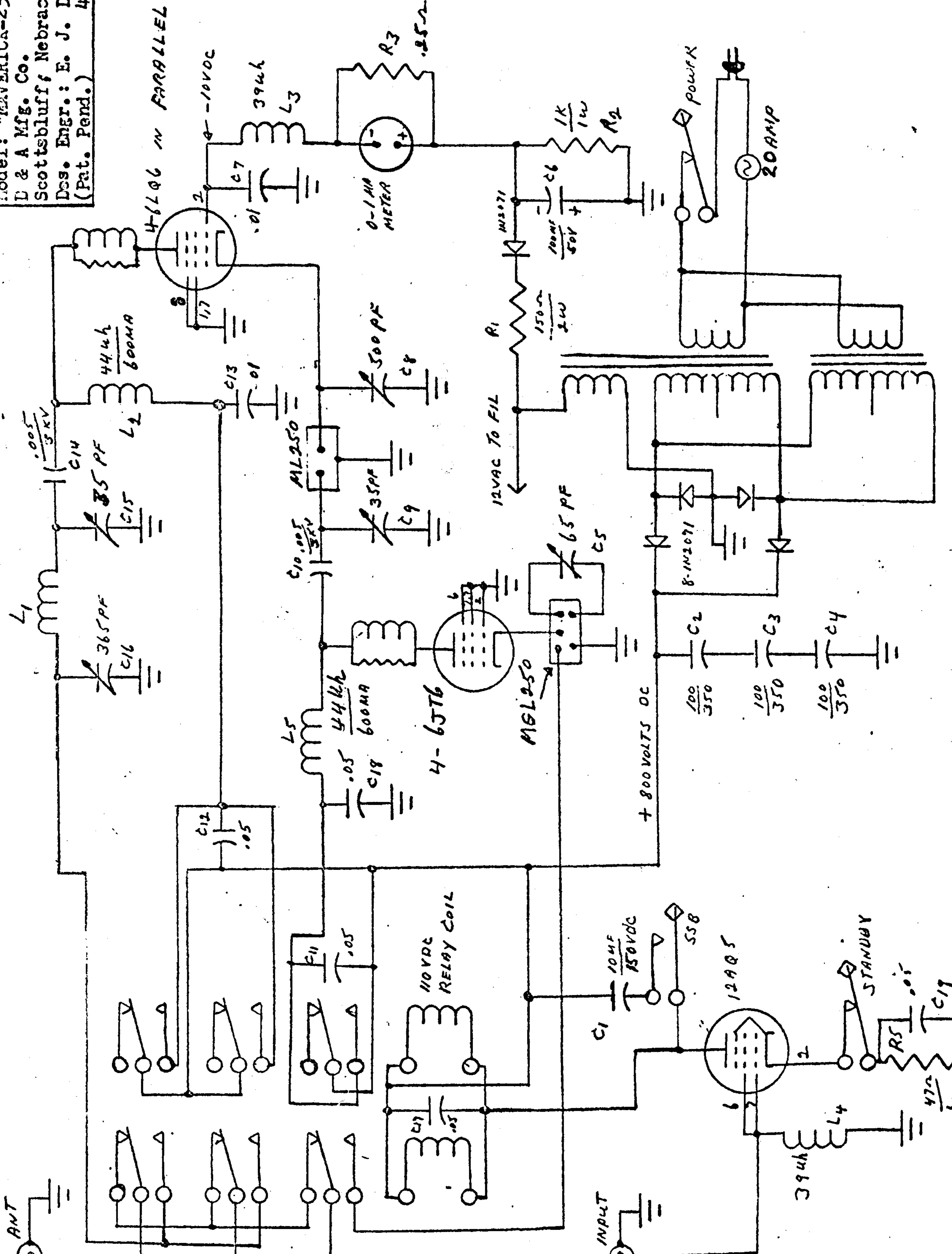


Schematic
 R. F. Amplifier
 Model: "MAVERICK-250"
 L & A Mfg. Co.
 Scottsbluff, Nebraska
 Des. Engr.: E. J. Dulancy
 (Pat. Pend.) 4-30-69



4-6LQ6 IN PARALLEL

12VAC TO FIL

+ 800 VOLTS DC

4-6JT6

110VDC RELAY COIL

12A05

STANDBY

20AMP

powerK

ANT

INPUT

L_1

C_{16}
365 PF

C_{15}
35 PF

L_2
444h
600MA

C_{14}
.005
5KV

4-6LQ6

C_{13}
.01

C_{12}
.05

C_{10}
.005
3KV

ML250

C_{19}
.05

L_5
444h
600MA

C_{18}
.05

500 PF
 C_8

35 PF
 C_9

4-6JT6

ML250

65 PF
 C_5

R_1
150 Ω
2W

1N2071

C_6
100MF
50V

8-1N2071

1K
 R_2
1W

0-1 MA METER

R_3
.25 Ω

394h
 L_3

C_7
.01

-10VDC

12VAC TO FIL

8-1N2071

C_2
100/350

C_3
100/350

C_4
100/350

+ 800 VOLTS DC

12A05

L_4
394h

2

STANDBY

R_5
47 Ω
2W

C_{19}
.05

powerK

20AMP