

6. PARTS PRICE LIST

Parts price is subject to change without notice.

(MODEL)
UT3112T

PRO-310E

(PARTS CODE)(DESCRIPTION)	(SYMBOL)	(Q'TY)	(LIST PRICE)
BATY0080001 ANTENNA	AT-080	AA501 1	\$ 21.404
BCEF512216Z CAPACITOR:ELECTROLYTIC	220UF 25V M C-059	C054 1	\$ 0.581
BCEL114700Z CAPACITOR:ELECTROLYTIC	47UF 10V	C049 1	\$ 0.284
		C085 1	\$ 0.284
BCER112206Z CAPACITOR:ELECTROLYTIC	22UF 10V M C-095	C071 1	\$ 0.277
BCER311006Z CAPACITOR:ELECTROLYTIC	10UF 16V M C-095	C552 1	\$ 0.238
		C553 1	\$ 0.238
		C559 1	\$ 0.238
		C562 1	\$ 0.238
BCER312206Z CAPACITOR:ELECTROLYTIC	22UF 16V M C-095	C014 1	\$ 0.277
		C560 1	\$ 0.277
BCER312216Z CAPACITOR:ELECTROLITIC	220UF 16V M C-095	C086 1	\$ 0.581
		C087 1	\$ 0.581
BCER314716Z CAPACITOR:ELECTROLYTIC	470UF 16V M C-095	C048 1	\$ 0.634
BCER514796Z CAPACITOR:ELECTROLYTIC	4.7UF 25V M C-095	C020 1	\$ 0.238
		C045 1	\$ 0.238
BCER811096Z CAPACITOR:ELECTROLYTIC	1UF 50V M C-095	C017 1	\$ 0.350
		C023 1	\$ 0.350
		C556 1	\$ 0.350
BCER812296Z CAPACITOR:ELECTROLYTIC	2.2UF 50V M C-095	C058 1	\$ 0.238
		C059 1	\$ 0.238
BCER814786Z CAPACITOR:ELECTROLYTIC	0.47UF 50V M C-095	C051 1	\$ 0.238
BCSB902206Z CAPACITOR:TANTALUM	22UF 6.3V M C-089	C074 1	\$ 1.525
BCSE511096Z CAPACITOR:TANTALUM	1UF 25V M	C052 1	\$ 0.660
BCSH311096Z CAPACITOR:TANTALUM CHIP	1UF 16V M C-122 TAPE	C006 1	\$ 1.129
		C019 1	\$ 1.129

(MODEL)
UT3112T

PRO-310E

(PARTS CODE)	(DESCRIPTION)	(SYMBOL)	(Q'TY)	(LIST PRICE)
BCSH311096Z	CAPACITOR:TANTALUM CHIP	1UF 16V M C-122 TAPE	C062 1	\$ 1.129
BCTY0054100	CAPACITOR:TRIMMER	CT-054 10PF	CT001 1	\$ 0.772
BCVL812204Z	CAPACITOR:CERAMIC CHIP	22PF 50V J SL C-140 TAPE	C041 1	\$ 0.185
			C076 1	\$ 0.185
			C077 1	\$ 0.185
BCVL813304Z	CAPACITOR:CERAMIC CHIP	33PF 50V J SL C-140 TAPE	C031 1	\$ 0.185
			C040 1	\$ 0.185
			C066 1	\$ 0.185
			C093 1	\$ 0.185
BCVL814704Z	CAPACITOR:CERAMIC CHIP	47PF 50V J SL C-140 TAPE	C028 1	\$ 0.185
			C079 1	\$ 0.185
BCVL816804Z	CAPACITOR:CERAMIC CHIP	68PF 50V J SL C-140 TAPE	C064 1	\$ 0.185
BCVM811004Z	CAPACITOR:CERAMIC CHIP	10PF 50V J CH C-140 TAPE	C055 1	\$ 0.205
BCVM811091Z	CAPACITOR:CERAMIC CHIP	1PF 50V C CH C-140 TAPE	C042 1	\$ 0.205
BCVM811204Z	CAPACITOR:CERAMIC CHIP	12PF 50V J CH C-140 TAPE	C092 1	\$ 0.205
BCVM811504Z	CAPACITOR:CERAMIC CHIP	15PF 50V J CH C-140 TAPE	C008 1	\$ 0.205
			C068 1	\$ 0.205
BCVM811804Z	CAPACITOR:CERAMIC CHIP	18PF 50V J CH C-140 TAPE	C001 1	\$ 0.205
			C063 1	\$ 0.205
			C070 1	\$ 0.205
BCVP811025Z	CAPACITOR:CERAMIC CHIP	0.001U 50V K B C-140 TAPE	C013 1	\$ 0.185
			C016 1	\$ 0.185
			C069 1	\$ 0.185
			C098 1	\$ 0.185
BCVQ311036Z	CAPACITOR:CERAMIC CHIP	0.01UF 16V M Y C-140 TAPE	C005 1	\$ 0.218
			C012 1	\$ 0.218

(MODEL)
UT311ZT

PRO-310E

(PARTS CODE)	(DESCRIPTION)	(SYMBOL)	(Q'TY)	(LIST PRICE)
BCVQ311036Z	CAPACITOR:CERAMIC CHIP	0.01UF 16V M Y C-140 TAPE	C024	1 \$ 0.218
			C032	1 \$ 0.218
			C044	1 \$ 0.218
			C047	1 \$ 0.218
			C067	1 \$ 0.218
			C073	1 \$ 0.218
			C078	1 \$ 0.218
			C082	1 \$ 0.218
			C090	1 \$ 0.218
			C094	1 \$ 0.218
			C095	1 \$ 0.218
			C096	1 \$ 0.218
			C551	1 \$ 0.218
			C554	1 \$ 0.218
			C557	1 \$ 0.218
BCVR312226Z	CAPACITOR:CERAMIC CHIP	0.0022U 16V M X C140 TAPE	C018	1 \$ 0.205
			C564	1 \$ 0.205
BCVR314726Z	CAPACITOR:CERAMIC CHIP	4700PF 16V M X C-140 TAPE	C002	1 \$ 0.205
			C003	1 \$ 0.205
			C004	1 \$ 0.205
			C007	1 \$ 0.205
			C011	1 \$ 0.205
			C015	1 \$ 0.205
			C025	1 \$ 0.205

(MODEL)
UT3112T

PRO-310E

(PARTS CODE)	(DESCRIPTION)	(SYMBOL)	(Q'TY)	(LIST PRICE)
BCVR314726Z	CAPACITOR:CERAMIC CHIP	4700PF 16V M X C-140 TAPE	C037	1 \$ 0.205
			C038	1 \$ 0.205
			C046	1 \$ 0.205
			C075	1 \$ 0.205
			C091	1 \$ 0.205
			C563	1 \$ 0.205
BCVR316826Z	CAPACITOR:CERAMIC CHIP	0.0068U 16V M X C140 TAPE	C080	1 \$ 0.205
BCXD811215Z	C:CERAMIC M/L (3216) TAPE	120PF 50V K CG	C081	1 \$ 0.218
BCXD811515Z	C:CERAMIC M/L (3216) TAPE	150PF 50V K CG	C026	1 \$ 0.218
BCXD811815Z	C:CERAMIC M/L (3126) TAPE	180PF 50V K CG	C029	1 \$ 0.238
BCXD812215Z	C:CERAMIC M/L (3216) TAPE	220PF 50V K CG	C027	1 \$ 0.238
			C065	1 \$ 0.238
BCXD813315Z	C:CERAMIC M/L (3216) TAPE	330PF 50V K CG	C036	1 \$ 0.264
			C039	1 \$ 0.264
BCXE511045Z	C:CERAMIC M/L (3216) TAPE	0.1UF 25V K C(B)	C053	1 \$ 0.912
BCXE812235Z	C:CERAMIC M/L (3216) TAPE	0.022UF 50V K C(B)	C558	1 \$ 0.297
BCXE814735Z	C:CERAMIC M/L (3216) TAPE	0.047UF 50V K C(B)	C034	1 \$ 0.495
			C035	1 \$ 0.495
			C056	1 \$ 0.495
			C057	1 \$ 0.495
			C097	1 \$ 0.495
			C565	1 \$ 0.495
BCXF512240Z	C:CERAMIC M/L (3216) TAPE	0.22UF 25V Z F	C099	1 \$ 0.561
BCXF811040Z	C:CERAMIC M/L (3216) TAPE	0.1UF 50V Z F	C061	1 \$ 0.416
			C555	1 \$ 0.416
RDAY000100Z	DIODE	1N60 P	D028	1 \$ 0.297

(MODEL)
UT3112T

PRO-310E

(PARTS CODE)(DESCRIPTION)		(SYMBOL)	(Q'TY)	(LIST PRICE)
BDAY0030001 DIODE	1S2339G	D015	1	\$ 0.660
BDAY0090001 DIODE	MC-301	D003	1	\$ 0.983
BDAY0133001 DIODE	1N4003	D021	1	\$ 0.165
BDAY0181001 DIODE	1S1555	D005	1	\$ 0.125
		D011	1	\$ 0.125
		D013	1	\$ 0.125
		D018	1	\$ 0.125
		D020	1	\$ 0.125
		D022	1	\$ 0.125
		D026	1	\$ 0.125
BDAY0269002 DIODE:ZENER	HZ5C-1	D012	1	\$ 0.257
BDAY0269003 DIODE:ZENER	HZ3B3	D552	1	\$ 0.257
BDAY0269011 DIODE:ZENER	HZ-5C3	D009	1	\$ 0.257
BDAY0269019 DIODE:ZENER	HZ-6C1	D553	1	\$ 0.257
BDAY0269020 DIODE:ZENER	HZ-9A1	D019	1	\$ 0.257
BDAY0339001 DIODE	DLS1585 TAPING	D001	1	\$ 0.185
		D002	1	\$ 0.185
		D006	1	\$ 0.185
		D007	1	\$ 0.185
		D008	1	\$ 0.185
		D010	1	\$ 0.185
		D014	1	\$ 0.185
		D016	1	\$ 0.185
		D024	1	\$ 0.185
		D025	1	\$ 0.185
		D027	1	\$ 0.185

(MODEL)
UT3112T

PRO-310E

(PARTS CODE)	(DESCRIPTION)	(SYMBOL)	(Q'TY)	(LIST PRICE)
BDAY0339001	DIODE	DLS1585 TAPING	D554 1	\$ 0.185
			D555 1	\$ 0.185
BDAY0349001	DIODE:LED	RT-242 PRS	D556 1	\$ 0.449
			D557 1	\$ 0.449
BDAY0404001	DIODE	UG-203	D551 1	\$ 7.973
BDBA1179643	TRANSISTOR	DB-048 2SA1179-M6 TAPING	Q013 1	\$ 0.330
			Q551 1	\$ 0.330
			Q552 1	\$ 0.330
			Q555 1	\$ 0.330
BDBB0525104	TRANSISTOR	DB-106 2SB525-D	Q006 1	\$ 0.660
BDBB0753114	TRANSISTOR	DB-119 2SB753-0	Q007 1	\$ 3.927
BDBC0941523	TRANSISTOR	DB-301 2SC941TM-0	Q003 1	\$ 0.462
BDBC2086104	TRANSISTOR	DB-228 2SC2086-D	Q002 1	\$ 2.033
BDBC2166103	TRANSISTOR	DB-331 2SC2166-C	Q001 1	\$ 4.561
BDBC2812642	TRANSISTOR	DB-743 2SC2812-L5 TAPING	Q005 1	\$ 0.284
			Q012 1	\$ 0.284
			Q014 1	\$ 0.284
			Q016 1	\$ 0.284
			Q018 1	\$ 0.284
			Q553 1	\$ 0.284
			Q554 1	\$ 0.284
BDBC2814641	TRANSISTOR	DB-744 2SC2814-F5 TAPING	Q004 1	\$ 0.356
			Q009 1	\$ 0.356
			Q010 1	\$ 0.356
			Q011 1	\$ 0.356
BDBC3242536	TRANSISTOR	DB-383 2SC3242A-E	Q015 1	\$ 0.772

(MODEL)
UT3112T

PRO-310E

(PARTS CODE)	(DESCRIPTION)	(SYMBOL)	(Q'TY)	(LIST PRICE)
BDBC3242536	TRANSISTOR	DB-383 2SC3242A-E	Q017 1	\$ 0.772
			Q556 1	\$ 0.772
BDBD1048723	TRANSISTOR	DB-435 2SD1048X-6 TAPE	Q008 1	\$ 0.739
BDEY0582001	INTEGRATED CIRCUIT	M5223L	IC003 1	\$ 1.822
BDEY0603001	INTEGRATED CIRCUIT	TDA1905	IC004 1	\$ 4.349
BDEY0890001	INTEGRATED CIRCUIT	TDA1220B	IC002 1	\$ 3.161
BDEY0902001	INTEGRATED CIRCUIT	LA-1185	IC001 1	\$ 1.888
BDEY0905001	INTEGRATED CIRCUIT	SM5121-00	IC005 1	\$ 23.159
BDEY0906001	INTEGRATED CIRCUIT	TDA2822M	IC551 1	\$ 3.788
BDFY0004003	VARISTOR	KB-362	D017 1	\$ 0.950
BFLY0009001	FILTER: CERAMIC	FL-009 CFU-455H2	FT002 1	\$ 6.316
BFLY0048001	FILTER: CERAMIC	FL-048 SFE10.7MS2-M	FT001 1	\$ 1.399
BJKY0221004	JACK	JK-221 5224-04H 4P	J001 1	\$ 0.851
BJKY0221006	JACK	JK-221 5224-06H 6P	J002 1	\$ 1.076
BJKY0221012	JACK	JK-221 12P	J003 1	\$ 2.455
BJKY0328004	JACK	JK-328 5551-04 4P	J551 1	\$ 0.429
BJKY0328006	JACK	JK-328 5551-06 6P	J552 1	\$ 0.528
BJKY0328012	JACK	JK-328 5551-12 12P	J553 1	\$ 0.851
BJKY0362001	JACK	JK-362	J005 1	\$ 0.535
BJKY0375001	JACK	JK-375 RJ-001	J004 1	\$ 0.000
BLRY0308001	COIL	LB-308 291CC-0179N	L010 1	\$ 1.360
BLBY0310001	COIL	LB-310 291CC-0123X	L012 1	\$ 1.360
BLBY0531001	COIL	LB-531 291AC-2926Z	L011 1	\$ 1.287
BLBY0533001	COIL	LB-533 V113CN-6848NY	L013 1	\$ 0.799
BLBY0534001	COIL	LB-534 A7MC-10092AZ	L003 1	\$ 0.660
BLBY0535001	COIL	LB-535 291AN-3017Y	L001 1	\$ 1.287

(MODEL)
UT311ZT

PRO-310E

(PARTS CODE)(DESCRIPTION)		(SYMBOL)	(Q'TY)	(LIST PRICE)
BLBY0536001 COIL	LB-536 291AC-2928Z	L002	1	\$ 1.287
BLCY0073001 COIL	LC-073	L007	1	\$ 0.706
BLDY0168001 COIL	LD-168	L008	1	\$ 0.449
BLEY0339001 COIL	LE-339 D5 9T	L009	1	\$ 0.139
BLEY0340001 COIL	LE-340 D4 11 1/2T	L005	1	\$ 0.119
		L006	1	\$ 0.119
BMKY0357001 MICROPHONE	MK-357	MK551	1	\$ 2.455
BPAY0244AAZ PC BOARD:MAIN	PA-244AA	B001	1	\$ 5.313
BPAY0245AAZ PC BOARD:LED	PA-245AA	B551	1	\$ 1.822
BQXY0077001 CRYSTAL	QX-077 10.240	X001	1	\$ 3.168
BRFC184755Z RESISTOR:CARBON FIXED CHIP	4.7M 1/8W K TAPING	R021	1	\$ 0.185
BRFD181004Z RESISTOR:CARBON MELF CHIP	10 1/8W J TAPING	R016	1	\$ 0.073
		R033	1	\$ 0.073
		R101	1	\$ 0.073
		R562	1	\$ 0.073
BRFD181014Z RESISTOR:CARBON MELF CHIP	100 1/8W J TAPING	R003	1	\$ 0.073
		R006	1	\$ 0.073
		R038	1	\$ 0.073
		R047	1	\$ 0.073
		R053	1	\$ 0.073
		R069	1	\$ 0.073
		R098	1	\$ 0.073
BRFD181024Z RESISTOR:CARBON MELF CHIP	1K 1/8W J TAPING	R002	1	\$ 0.073
		R007	1	\$ 0.073
		R012	1	\$ 0.073
		R027	1	\$ 0.073

(MODEL)
UT3112T

PRO-310E

(PARTS CODE)(DESCRIPTION)	(SYMBOL)	(Q'TY)	(LIST PRICE)
BRFD181024Z RESISTOR:CARBON MELF CHIP 1K 1/8W J TAPING	R044	1	\$ 0.073
	R071	1	\$ 0.073
	R072	1	\$ 0.073
	RC73	1	\$ 0.073
	R076	1	\$ 0.073
	R082	1	\$ 0.073
	R554	1	\$ 0.073
	R557	1	\$ 0.073
	R559	1	\$ 0.073
	R571	1	\$ 0.073
BRFD181034Z RESISTOR:CARBON MELF CHIP 10K 1/8W J TAPING	R022	1	\$ 0.073
	R025	1	\$ 0.073
	R050	1	\$ 0.073
	R054	1	\$ 0.073
	R081	1	\$ 0.073
	R091	1	\$ 0.073
	R096	1	\$ 0.073
	R552	1	\$ 0.073
	R555	1	\$ 0.073
	R569	1	\$ 0.073
BRFD181044Z RESISTOR:CARBON MELF CHIP 100K 1/8W J TAPING	R572	1	\$ 0.073
	R574	1	\$ 0.073
	R017	1	\$ 0.073
	R023	1	\$ 0.073
	R039	1	\$ 0.073
	R043	1	\$ 0.073

(MODEL)

UT3112T

PRO-310E

(PARTS CODE)(DESCRIPTION)

(SYMBOL) (Q'TY) (LIST PRICE)

BRFD181044Z	RESISTOR:CARBON MELF CHIP	100K 1/8W J TAPING	R046	1	\$ 0.073
			R063	1	\$ 0.073
			R090	1	\$ 0.073
BRFD181054Z	RESISTOR:CARBON MELF CHIP	1M 1/8W J TAPING	R024	1	\$ 0.073
BRFD181094Z	RESISTOR:CARBON MELF CHIP	1 1/8W J TAPING	R564	1	\$ 0.073
BRFD181224Z	RESISTOR:CARBON MELF CHIP	1.2K 1/8W J TAPING	R553	1	\$ 0.073
BRFD181234Z	RESISTOR:CARBON MELF CHIP	12K 1/8W J TAPING	R026	1	\$ 0.073
			R561	1	\$ 0.073
BRFD181514Z	RESISTOR:CARBON MELF CHIP	150 1/8W J TAPING	R041	1	\$ 0.073
BRFD181524Z	RESISTOR:CARBON MELF CHIP	1.5K 1/8W J TAPING	R013	1	\$ 0.073
			R015	1	\$ 0.073
BRFD181534Z	RESISTOR:CARBON MELF CHIP	15K 1/8W J TAPING	R573	1	\$ 0.073
BRFD181594Z	RESISTOR:CARBON MELF CHIP	1.5 1/8W J TAPING	R048	1	\$ 0.073
BRFD181804Z	RESISTOR:CARBON MELF CHIP	18 1/8W J TAPING	R031	1	\$ 0.073
BRFD181814Z	RESISTOR:CARBON MELF CHIP	180 1/8W J TAPING	R065	1	\$ 0.073
BRFD181824Z	RESISTOR:CARBON MELF CHIP	1.8K 1/8W J TAPING	R058	1	\$ 0.073
			R078	1	\$ 0.073
BRFD182214Z	RESISTOR:CARBON MELF CHIP	220 1/8W J TAPING	R009	1	\$ 0.073
			R042	1	\$ 0.073
			R074	1	\$ 0.073
BRFD182224Z	RESISTOR:CARBON MELF CHIP	2.2K 1/8W J TAPING	R014	1	\$ 0.073
			R028	1	\$ 0.073
			R030	1	\$ 0.073
			R055	1	\$ 0.073
			R567	1	\$ 0.073
BRFD182234Z	RESISTOR:CARBON MELF CHIP	22K 1/8W J TAPING	R036	1	\$ 0.073

(MODEL)
UT3112T

PRO-310E

(PARTS CODE)	(DESCRIPTION)	(SYMBOL)	(Q'TY)	(LIST PRICE)
BRFD182234Z	RESISTOR:CARBON MELF CHIP	22K 1/8W J TAPING	R062	1 \$ 0.073
			R092	1 \$ 0.073
BRFD182294Z	RESISTOR:CARBON MELF CHIP	2.2 1/8W J TAPING	RC32	1 \$ 0.073
BRFD182724Z	RESISTOR:CARBON MELF CHIP	2.7K 1/8W J TAPING	R057	1 \$ 0.073
BRFD182734Z	RESISTOR:CARBON MELF CHIP	27K 1/8W J TAPING	R080	1 \$ 0.073
BRFD183304Z	RESISTOR:CARBON MELF CHIP	33 1/8W J TAPING	R066	1 \$ 0.073
BRFD183314Z	RESISTOR:CARBON MELF CHIP	330 1/8W J TAPING	R001	1 \$ 0.073
			R011	1 \$ 0.073
			R083	1 \$ 0.073
			R084	1 \$ 0.073
			R085	1 \$ 0.073
			R086	1 \$ 0.073
			R087	1 \$ 0.073
BRFD183324Z	RESISTOR:CARBON MELF CHIP	3.3K 1/8W J TAPING	R088	1 \$ 0.073
			R089	1 \$ 0.073
			R093	1 \$ 0.073
			R059	1 \$ 0.073
BRFD183334Z	RESISTOR:CARBON MELF CHIP	33K 1/8W J TAPING	R077	1 \$ 0.073
			R568	1 \$ 0.073
			R102	1 \$ 0.073
BRFD183914Z	RESISTOR:CARBON MELF CHIP	390 1/8W J TAPING	R565	1 \$ 0.073
			R094	1 \$ 0.073
BRFD183924Z	RESISTOR:CARBON MELF CHIP	3.9K 1/8W J TAPING	R556	1 \$ 0.073
BRFD183934Z	RESISTOR:CARBON MELF CHIP	39K 1/8W J TAPING	R064	1 \$ 0.073
			R068	1 \$ 0.073
			R079	1 \$ 0.073

(MODEL)
UT311ZT

PRO-310E

(PARTS CODE)	(DESCRIPTION)	(SYMBOL)	(Q'TY)	(LIST PRICE)
BRFD183944Z	RESISTOR:CARBON MELF CHIP 390K 1/8W J TAPING	R029	1	\$ 0.073
BRFD184704Z	RESISTOR:CARBON MELF CHIP 47 1/8W J TAPING	R035	1	\$ 0.073
BRFD184714Z	RESISTOR:CARBON MELF CHIP 470 1/8W J TAPING	R005	1	\$ 0.073
		R097	1	\$ 0.073
BRFD184724Z	RESISTOR:CARBON MELF CHIP 4.7K 1/8W J TAPING	R045	1	\$ 0.073
		R061	1	\$ 0.073
		R575	1	\$ 0.073
BRFD184734Z	RESISTOR:CARBON MELF CHIP 47K 1/8W J TAPING	R577	1	\$ 0.073
BRFD185604Z	RESISTOR:CARBON MELF CHIP 56 1/8W J TAPING	R558	1	\$ 0.073
BRFD185624Z	RESISTOR:CARBON MELF CHIP 5.6K 1/8W J TAPING	R056	1	\$ 0.073
		R551	1	\$ 0.073
BRFD185634Z	RESISTOR:CARBON MELF CHIP 56K 1/8W J TAPING	R018	1	\$ 0.073
		R019	1	\$ 0.073
BRFD185644Z	RESISTOR:CARBON MELF CHIP 560K 1/8W J TAPING	R099	1	\$ 0.073
BRFD186824Z	RESISTOR:CARBON MELF CHIP 6.8K 1/8W J TAPING	R051	1	\$ 0.073
		R075	1	\$ 0.073
		R563	1	\$ 0.073
BRFD186834Z	RESISTOR:CARBON MELF CHIP 68K 1/8W J TAPING	R105	1	\$ 0.073
		R566	1	\$ 0.073
BRFD188214Z	RESISTOR:CARBON MELF CHIP 820 1/8W J TAPING	R100	1	\$ 0.073
		R103	1	\$ 0.073
BRFD188234Z	RESISTOR:CARBON MELF CHIP 82K 1/8W J TAPING	R052	1	\$ 0.073
BRPB611024Z	RESISTOR:CARBON AXIAL LEAD 1K 1/6W J	R570	1	\$ 0.066
BRPB611224Z	RESISTOR:CARBON AXIAL LEAD 1.2K 1/6W J	R040	1	\$ 0.066
BRPB612234Z	RESISTOR:CARBON AXIAL LEAD 22K 1/6W J	R010	1	\$ 0.066
BRPB612244Z	RESISTOR:CARBON AXIAL LEAD 220K 1/6W J	R020	1	\$ 0.066

(MODEL)
UT3112T

PRO-310E

(PARTS CODE)	(DESCRIPTION)		(SYMBOL)	(Q'TY)	(LIST PRICE)
BRPB614754Z	RESISTOR:CARBON AXIAL LEAD	4.7M 1/6W J	R111	1	\$ 0.066
BRTY0517102	RESISTOR:SEMI-FIXED	RT-517 1KB	VR002	1	\$ 3.927
BRTY0527473	RESISTOR:SEMI-FIXED	RT-527 H0521A117 47K	VR001	1	\$ 2.389
BRVY0653001	RESISTOR:VARIABLE	RV-653 V12M4-1 50KB	VR502	1	\$ 4.917
BRVY0654001	RESISTOR:VARIABLE	RV-654 V12M4-1 50KA W/S	VR501	1	\$ 6.877
BRZY0025001	JUMPER CHIP	RZ-025 MRD18S TAPING	R104	1	\$ 0.073
			R106	1	\$ 0.073
			R107	1	\$ 0.073
			R108	1	\$ 0.073
			R109	1	\$ 0.073
			R110	1	\$ 0.073
			R560	1	\$ 0.073
			R576	1	\$ 0.073
BSPY0098001	SPEAKER	SP-098 T040S13U0110	SP501	1	\$ 18.242
BSWY0332001	SWITCH:SLIDE	SW-332 S5TP-12P-06V	S551	1	\$ 0.660
BSWY0551001	SWITCH:SLIDE	SW-551 SBH22B-09	S001	1	\$ 1.261
BSWY0560001	SWITCH:TACT	SW-560 SKHJAB	S552	1	\$ 1.129
			S553	1	\$ 1.129
BSWY0561001	SWITCH:TACT	SW-561 SKHCLA	S002	1	\$ 1.399
BTFY0258001	TRANSFORMER:AF CHOKE	TF-258	T002	1	\$ 1.082
BTFY0362001	TRANSFORMER	TF-362	T001	1	\$ 2.759
BWZY0574001	CORD:DC	WZ-574	WA951	1	\$ 6.263
BYDY0010003	INSULATION SHEET	YD-010 P101KD	YI501	1	\$ 0.000
			YI503	1	\$ 0.000
BYDY0019003	BUSHING:TRANSISTOR	YD-019 B312D-11-A	YI502	1	\$ 0.092
			YI504	1	\$ 0.092

(MODEL)
UT311ZT

PRO-310E

(PARTS CODE)(DESCRIPTION)

(SYMBOL) (Q'TY)

(LIST PRICE)

BYYY0052001 JUMPER WIRE	YY-052 5.0MM	JP565 1	\$ 0.020
		JP566 1	\$ 0.020
BYYY0052002 JUMPER WIRE	YY-052 7.5MM	JP001 1	\$ 0.026
		JPC02 1	\$ 0.026
		JP003 1	\$ 0.026
		JP005 1	\$ 0.026
		JP012 1	\$ 0.026
		JP015 1	\$ 0.026
		JP020 1	\$ 0.026
		JP551 1	\$ 0.026
		JP554 1	\$ 0.026
		JP555 1	\$ 0.026
		JP556 1	\$ 0.026
		JP557 1	\$ 0.026
		JP558 1	\$ 0.026
		JP559 1	\$ 0.026
		JP560 1	\$ 0.026
		JP563 1	\$ 0.026
		JP564 1	\$ 0.026
BYYY0052003 JUMPER WIRE	YY-052 10.0MM	JP016 1	\$ 0.026
BYYY0052004 JUMPER WIRE	YY-052 12.5MM	JP010 1	\$ 0.026
		JP011 1	\$ 0.026
		JP013 1	\$ 0.026
		JP014 1	\$ 0.026
BYYY0052005 JUMPER WIRE	YY-052 15.0MM	JP004 1	\$ 0.026
		JP006 1	\$ 0.026

(MODEL)

UT3112T

PRO-310E

(PARTS CODE)(DESCRIPTION)	(SYMBOL)	(Q'TY)	(LIST PRICE)
BYYY0052006 JUMPER WIRE	YY-052 17.5MM	JP017 1	\$ 0.026
BYYY0052007 JUMPER WIRE	YY-052 20.0MM	JP009 1	\$ 0.026
		JP018 1	\$ 0.026
		JP552 1	\$ 0.026
BYYY0052008 JUMPER WIRE	YY-052 22.5MM	JP553 1	\$ 0.026
		JP561 1	\$ 0.026
BYYY0052010 JUMPER WIRE	YY-052 27.5MM	JP562 1	\$ 0.026
BYYY0052012 JUMPER WIRE	YY-052 2.5MM	JP019 1	\$ 0.020
		JP021 1	\$ 0.020
BYYY0528001 MAGNET BASE	YY-528	MB951 1	\$ 18.784
CSHH1700163 COAXIAL CABLE	0.8D-2VX 170	1	\$ 1.683
CUMB006011Z WIRE	UL 1007 #26 3- 60- 3 RED	1	\$ 0.073
CUHC004011Z WIRE	UL 1007 #26 3- 40- 3 ORG	1	\$ 0.066
CUMD004044Z WIRE	UL 1007 #26 10- 40-10 YEL	1	\$ 0.066
CUHK004011Z WIRE	UL 1007 #26 3- 40- 3 BLK	1	\$ 0.066
CUHK013044Z WIRE	UL 1007 #26 10-130-10 PLK	1	\$ 0.092
CUMB003521Z WIRE (19/0.08)	UL 1571 #28 5- 35- 3 RED	1	\$ 0.046
CUMH006011Z WIRE (19/0.08)	UL 1571 #28 3- 60- 3 GRY	1	\$ 0.086
		1	\$ 0.086
CUMK003521Z WIRE (19/0.08)	UL 1571 #28 5- 35- 3 BLK	1	\$ 0.046
CUMK005011Z WIRE (19/0.08)	UL 1571 #28 3- 50- 3 BLK	1	\$ 0.139
CUMK007011Z WIRE (19/0.08)	UL 1571 #28 3- 70- 3 BLK	1	\$ 0.145
FHDZ418751Z HANGER	ABS, BLACK, INST	1	\$ 0.449
FHSK418756A HEAT SINK (ASS'Y)	ALP, 2T	1	\$ 1.855
GCHF218745A CASE:FRONT	ABS D.GRAY, D.GRAY PAINT	1	\$ 4.547
GCHR218746Z CASE:REAR	ABS D.GRAY, D.GRAY PAINT	1	\$ 2.090

(MODEL)

UT3112T

PRO-310E

(PARTS CODE)	(DESCRIPTION)	(SYMBOL)	(Q'TY)	(LIST PRICE)
GCHZ218752Z	CASE:BATTERY	ABS D.GRAY,D.GRAY PAINT	1	\$ 3.128
GCHZ418807A	CORD HOLDER	ABS,BLACK	1	\$ 0.000
GHDB218753A	HOLDER:BATTERY	ABS D.GRAY,D.GRAY PAINT	1	\$ 2.132
GHDZ418750Z	HOLDER:TERMINAL	ABS,BLACK	1	\$ 0.231
GNBP418747Z	BUTTON:PUSH	ABS,BLACK	2	\$ 0.231
GNBP418749Z	BUTTON:TALK	ABS,BLACK	1	\$ 0.429
GNBY418748Z	KNOB	ABS,BLACK	2	\$ 0.000
HHSK418834Z	HEAT SINK	C5191R,0.5T	1	\$ 0.568
HMHG402919Z	HANGER:MICROPHONE	SPCC,1.0T,NI	1	\$ 0.356
HPSP418757B	PLATE:TALK	C5191R,0.4T	1	\$ 0.000
HPSP418758Z	TERMINAL:BATT.(A)	C5210R,0.3T,MBN13	4	\$ 1.056
HPSP418759Z	TERMINAL:BATT.(B)	C5210R,0.3T,MBN13	2	\$ 1.082
HPSP418760A	TERMINAL:BATT.(C)	C5210R,0.3T,MBN13	1	\$ 1.221
HPSP418761A	TERMINAL:BATT.GROUND	C5210R,0.3T,MBN13	1	\$ 1.255
HPSP418762A	TERMIAL:BATT.HOT	C5210R,0.3T,MBN13	1	\$ 1.386
HPSP418763B	STOPPER	C5191R,0.4T,MBN13	1	\$ 0.601
HPSP418971Z	CONNECTOR	C5210R,0.3T,MBN13	1	\$ 0.515
HPSP419009Z	TENSION PLATE	C5210R,0.3T	1	\$ 0.535
HSDP418810Z	PLATE:EARTH	ALP,0.5T	1	\$ 1.287
HSDP419028Z	SHIELD PLATE	ALP,0.1T	1	\$ 0.092
HTML408900Z	TERMINAL	SPT,0.2T	1	\$ 0.185
KDPZ418755Z	DISPLAY PLATE	PC,0.5T	1	\$ 0.515
LETC419114Z	CUSHION	SI RUBBER,DARK GRAY	2	\$ 0.000
LHDC418808Z	HOLDER:MIC	EPT BLACK	1	\$ 0.112
LHDL418754Z	HOLDER:LED	EPT,BLACK	1	\$ 0.092
LWSR418809Z	COVER:ANT.JACK	EPT,BLACK	1	\$ 0.119

(MODEL)
UT3112T

PRO-310E

(PARTS CODE)(DESCRIPTION)	(SYMBOL)	(Q'TY)	(LIST PRICE)
MNUT408968Z NUT	BSBM, NON OIL	1	\$ 0.449
MNUT418811Z METAL:ANT,SUPPORT	C3602,MBNI3	1	\$ 0.799
MTML418764Z TERMINAL	C3602,MBNI3	2	\$ 0.238
NSPC418765Z COIL SPRING	SUS304-WPB	2	\$ 0.046
PLRC418767Z LABEL:RATING	TETRON FILM 0.1T	1	\$ 0.205
PLBF418766A LABEL:FCC	TETRON FILM 0.05T	1	\$ 0.238
PLBZ418812Z LABEL	TETRON FILM 0.1T	1	\$ 0.092
RBLD418813Z BLIND	HIMELON, BLACK, 0.5T	1	\$ 0.066
RBLD418814Z BLIND	PVC, BLACK, 0.3T	1	\$ 0.119
RETC418819Z AIR CAP	**	1	\$ 0.165
RETC418859Z AIR CAP	**	1	\$ 0.119
RTLA118818A CARRYING CASE	**	1	\$ 10.527
SSCW193005N SCREW:RIND HD +	M3X5 NI	1	\$ 0.020
SSCW193006N SCREW:BIND HD +	M3X6 NI	2	\$ 0.020
SSCW293508N SCREW:TAPPING ROUND HD +	D3.5X8 NI	2	\$ 0.066
SSCW520015N E-RING	SK5 D1.5 NI	2	\$ 0.046
SSCW530035N WASHER:LOCK	D3.5 NI	2	\$ 0.026
SSCW802005N SCREW:P TIGHT BIND HD+	D2X5 NI	1	\$ 0.020
SSCW802605N SCREW:P TIGHT RIND HD +	D2.6X5 NI	1	\$ 0.020
		1	\$ 0.020
SSCW803014B SCREW:P TIGHT RIND HD +	D3X14 BNI	3	\$ 0.026
TSTD0150003 TERMINAL:LUG,SOLDER	D3	2	\$ 0.026
TSTD0200001 SPRING PLATE:KNOB	D3.5	2	\$ 0.449
UTUD013112Z OWNER'S MANUAL	**	1	\$ 0.680
UTUD419189Z ADDENDUM SHEET		1	\$ 0.000
UTYY580002A FCC RULES PART 95	**	1	\$ 0.389

(MODEL)
UT3112T

PRO-310E

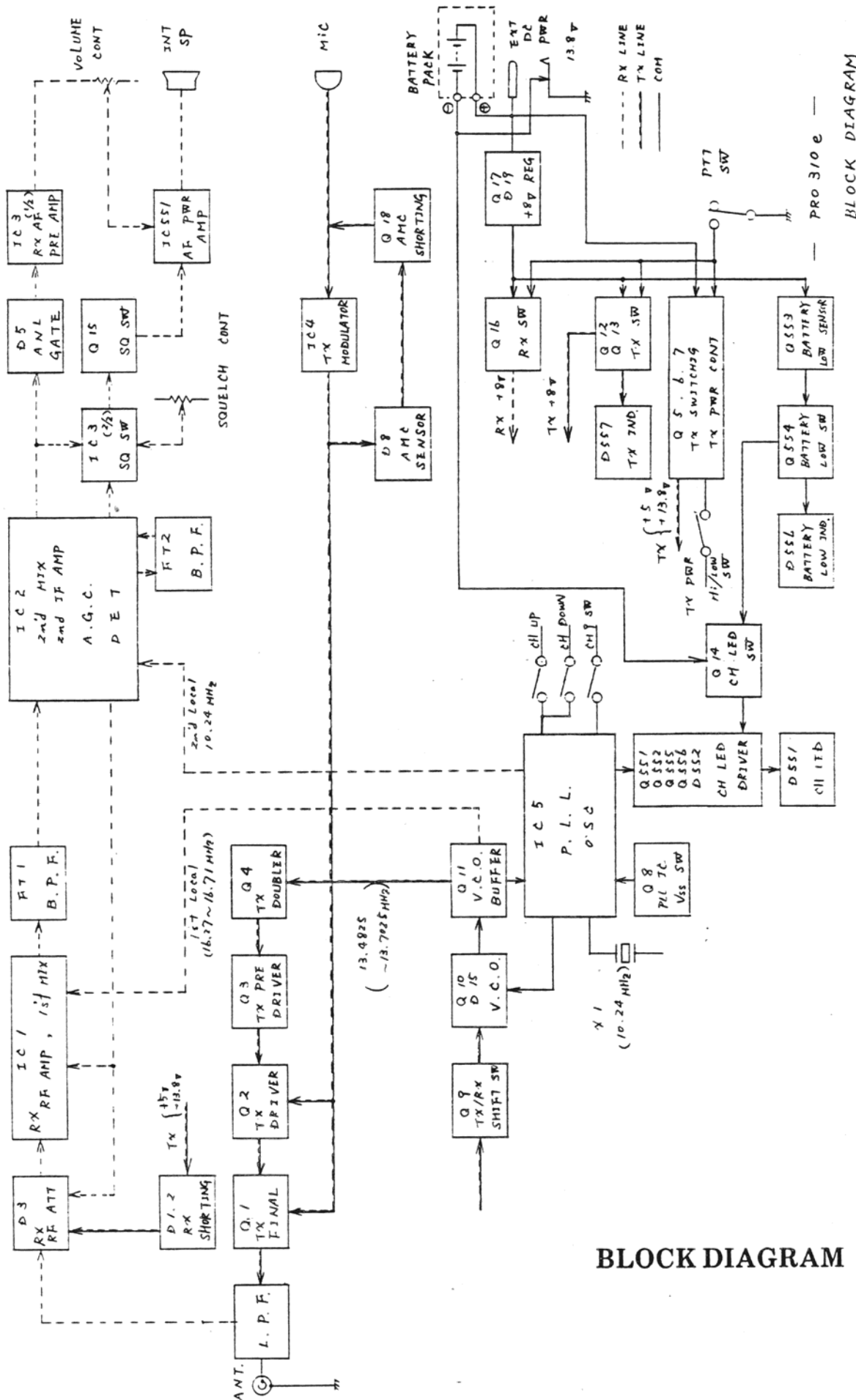
(PARTS CODE)(DESCRIPTION)		(SYMBOL) (Q'TY)	(LIST PRICE)
VNYL1243200 VINYL BAG	240X320X0.05T	1	\$ 0.125
VNYL2384045 VINYL BAG	380X400X450X0.07T	0.08333	\$ 0.884
VNYL3070800 VINYL BAG	70X80X0.1T	2	\$ 0.020
VNYL3101200 VINYL BAG	100X120X0.1T	1	\$ 0.053
WBXH3188152 DISPLAY BOX	**	1	\$ 1.591
WCT24188172 SHIPPING CARTON BOX	**	0.08333	\$ 4.442
WETC4190842 PROTECTOR	**	1	\$ 0.145
WSLV4188162 SLEEVE	**	1	\$ 0.601
	TOTAL >>>>>>>>		298.653

7. FREQUENCY CHART

Frequency Chart of Fvco and Divide Ratio N

Antenna Frequency (MHz)	Channel No.	For Transmit (R/T = H) Divide Ratio (N)	VCO Frequency (MHz)	For Receive (R/T = L) Divide Ratio (N)	VCO Frequency (MHz)
26.965	1	5393	13.4825	3254	16.270
26.975	2	5395	13.4875	3256	16.280
26.985	3	5397	13.4925	3258	16.290
27.005	4	5401	13.5025	3262	16.310
27.015	5	5403	13.5075	3264	16.320
27.025	6	5405	13.5125	3266	16.330
27.035	7	5407	13.5175	3268	16.340
27.055	8	5411	13.5275	3272	16.360
27.065	9	5413	13.5325	3274	16.370
27.075	10	5415	13.5375	3276	16.380
27.085	11	5417	13.5425	3278	16.390
27.105	12	5421	13.5525	3282	16.410
27.115	13	5423	13.5575	3284	16.420
27.125	14	5425	13.5625	3286	16.430
27.135	15	5427	13.5675	3288	16.440
27.155	16	5431	13.5775	3292	16.460
27.165	17	5433	13.5825	3294	16.470
27.175	18	5435	13.5875	3296	16.480
27.185	19	5437	13.5925	3298	16.490
27.205	20	5441	13.6025	3302	16.510
27.215	21	5443	13.6075	3304	16.520
27.225	22	5445	13.6125	3306	16.530
27.255	23	5451	13.6275	3312	16.560
27.235	24	5447	13.6175	3308	16.540
27.245	25	5449	13.6225	3310	16.550
27.265	26	5453	13.6325	3314	16.570
27.275	27	5455	13.6375	3316	16.580
27.285	28	5457	13.6425	3318	16.590
27.295	29	5459	13.6475	3320	16.600
27.305	30	5461	13.6525	3322	16.610
27.315	31	5463	13.6575	3324	16.620
27.325	32	5465	13.6625	3326	16.630
27.335	33	5467	13.6675	3328	16.640
27.345	34	5469	13.6725	3330	16.650
27.355	35	5471	13.6775	3332	16.660
27.365	36	5473	13.6825	3334	16.670
27.375	37	5475	13.6875	3336	16.680
27.385	38	5477	13.6925	3338	16.690
27.395	39	5479	13.6975	3340	16.700
27.405	40	5481	13.7025	3342	16.710

8. TECHNICAL DRAWINGS



BLOCK DIAGRAM

PRO 310 e
BLOCK DIAGRAM

(BOTTOM)

C1	18P/CH	C62	16V 11T1 C-122	Q4	25C2814-F5	R31	27	R79	39K
C2	0.0047/X	C63	18P/CH	Q5	25C2812-L5	R32	1	R80	27K
C3	0.0047/X	C64	68P/SL	Q8	25D1048-X6	R33	10	R81	10K
C4	0.0047/X	C65	220P/B	Q9	25C2814-F5	R35	47	R82	1K
C5	0.01/Y	C66	33P/SL	Q10	25C2814-F5	R36	27K	R83	330
C6	16V 11T1 C-122	C67	0.01/Y	Q11	25C2814-F5	R38	100	R84	330
C7	0.0047/X	C68	15P/CH	Q12	25C2812-L5	R39	100K	R85	330
C8	10P/CH	C69	0.001/B	Q13	25A1179-M6	R41	150	R86	330
C11	0.0047/X	C70	18P/CH	Q14	25C2812-L5	R42	220	R87	330
C12	0.01/Y	C73	0.01/Y	Q16	25C2812-L5	R43	100K	R88	330
C13	0.001/B	C75	0.0047/X	Q18	25C2812-L5	R44	1K	R89	330
C15	0.0047/X	C76	22P/SL			R45	4.7K	R90	100K
C16	0.001/B	C77	22P/SL			R46	100K	R91	10K
C18	0.0022/X	C78	0.01/Y			R47	100	R92	22K
C19	16V 11T1 C-122	C79	47P/SL			R48	1.5	R93	330
C24	0.01/Y	C80	0.0068/X	R1	330	R50	10K	R94	390
C25	0.0047/X	C81	120P/B	R2	2.2K	R51	6.8K	R96	10K
C26	120P/B	C82	0.01/Y	R3	100	R52	100K	R97	1.5K
C27	220P/B	C83	0.01/Y	R5	470	R53	100	R98	100
C28	33P/SL	C90	0.01/Y	R6	390	R54	5.6K	R99	560K
C29	180P/B	C91	0.0047/X	R7	1K	R55	2.2K	R100	1.5K
C31	68P/SL			R9	220	R56	10K	R101	10
C32	0.001/B			R11	330	R57	2.7K	R102	150K
C34	0.047 (MLI)	D1	DL51585	R12	1K	R58	1.8K	R103	820
C35	0.047 (MLI)	D2	DL51585	R13	1.5K	R59	3.3K	R104	0
C36	330P/B	D6	DL51585	R14	2.2K	R61	4.7K	R105	68K
C37	0.0047/X	D7	DL51585	R15	1.5K	R62	22K	R106	0
C38	0.0047/X	D8	DL51585	R16	10	R63	100K	R107	0
C39	330P/B	D14	DL51585	R17	100K	R64	39K	R108	0
C40	18P/CH	D16	DL51585	R18	56K	R65	180	R109	0
C41	22P/SL	D24	DL51585	R19	56K	R66	0	R110	0
C42	2P/CH	D25	DL51585	R21	4.7M	R68	39K		
C43	0.0047/X	D27	DL51585	R22	10K	R69	100		
C44	0.01/Y			R23	100K	R71	1K		
C46	0.0047/X			R24	1M	R72	1K		
C47	0.01/Y			R25	10K	R73	1K		
C53	0.22 (MLI)			R26	12K	R74	220		
C55	10P/CH			R27	1K	R75	6.8K		
C56	0.01/Y			R28	2.2K	R76	1K		
C57	0.047 (MLI)			R29	390K	R77	3.3K		
C61	0.1 (MLI)			R30	2.2K	R78	1.8K		

(TOP)

C14	16V 22 C095	D12	HZ5C1	JP1	17.51	L7	LC074	R4	1.5K 1/6W
C17	50V 1 C095	D13	IS1555	JP2	17.51	L8	LD168	R8	100 1/6W
C20	25V 4.7 C095	D15	IS2339G	JP3	17.51	L9	LE339	R20	220K 1/6W
C23	50V 0.1 C095	D17	KB362	JP4	1151	L10	LB308		
C45	16V 10. C095	D18	IS1555	JP5	17.51	L11	LB531		
C48	16V 470 C095	D19	HZ9A1	JP6	1151	L12	LB310		
C49	10V 47	D20	IS1555	JP7	161	L13	LB533		
C51	50V 0.47 C095	D21	IM4003	JP8	1141			S1	SW551
C52	25V 11T1	D22	IS1555	JP9	1201			S2	SW561
C54	16V 470 C095	D26	IS1555	JP10	112.51				
C58	50V 2.2 C095			JP11	112.51				
C59	50V 2.2 C095			JP12	17.51				
C71	10V 22 C095			JP13	112.51	IC1	LA1185	T1	TF 362
C74	6.3V 22 C095			JP14	112.51	IC2	TDA1220B	T2	TF 258
C84	16V 22 C095			JP15	17.51	IC3	M5223L		
C85	10V 47			JP16	1101	IC4	TDA1905		
C86	16V 220 C095			JP17	117.51	IC5	SM5121-00		
C87	16V 220 C095			JP18	1201			VR1	RT527 47K 8
		FT1	FL048	JP19	12.51				
		FT2	FL009	JP20	17.51				
CT1	CT054 10P	J1	JK221 4P					X1	QX077 10.24MHz
		J2	JK221 6P			Q2	25C2086D		
		J3	JK221 12P			Q3	25C941-TM101		
D3	MC301	J4	JK375	L1	LB535	Q6	25B525D		
D4	IS1555	J5	JK362	L2	LB536	Q15	25C3242AE		
D5	IS1555			L3	LB534	Q17	25C3242AE		
D9	HZ5C3			L4	LZ051 0.68µH				
D11	IS1555			L5	LE340				
				L6	LE340				

NOTES:

1. RESISTANCE VALUES ARE SHOWN IN OHMS UNLESS OTHERWISE NOTED. (K=KILO OHM, M=MEG OHM)
2. RESISTOR WATTAGES ARE 1/8W UNLESS OTHERWISE NOTED.
3. CAPACITANCE VALUES ARE INDICATED IN MICRO FARADS UNLESS OTHERWISE NOTED. (P=MICRO-MICRO FARAD)
4. ALL PARTS COMPONENTS LOCATED ON PCB BOTTOM ARE CHIP TYPE.

DESIGN BY	DRAWN BY	UNIDEN NO.	MODEL NO.
6/12/6	6/11/25	UT-311	PRO310e
CHK BY	T.K	TITLE	MAIN PCB
			PARTS ASSEMBLY
	6/12/6	E 22-6670	REV MARK