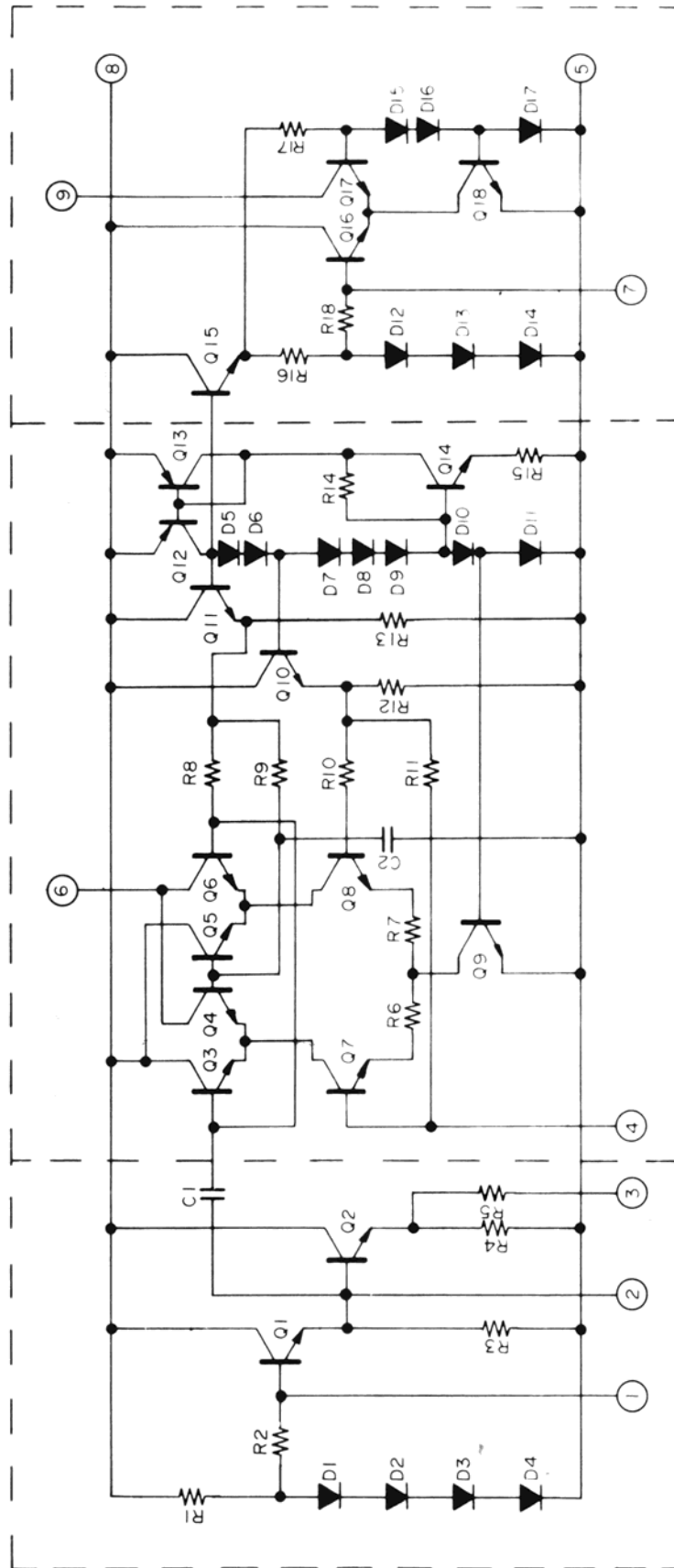
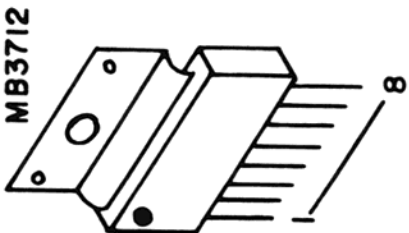


TA7310P

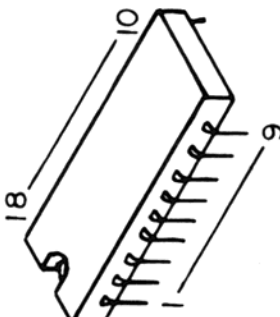




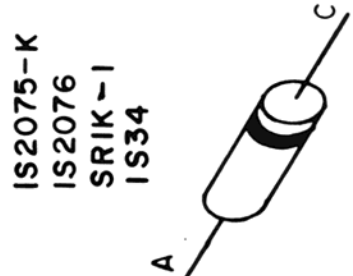
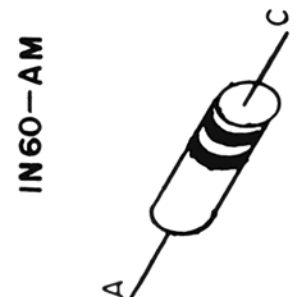
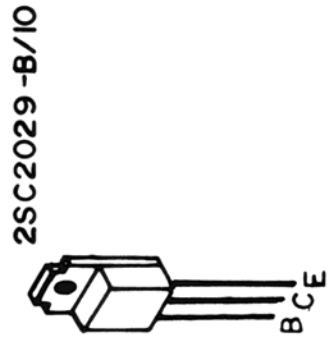
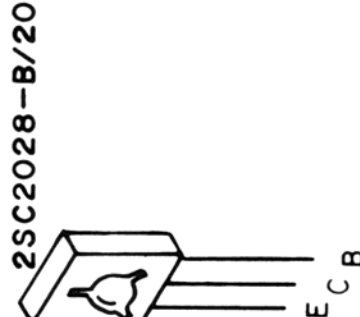
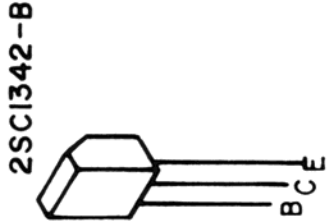
MB3712



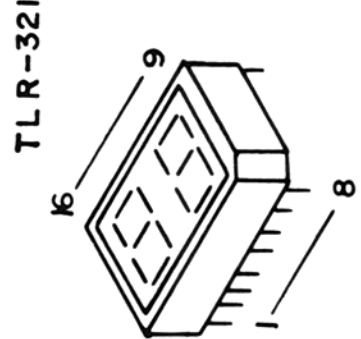
TA7310P



- 2SA733-P
- 2SC945A-Q
- 2SC1675-M
- 2SC2076-C



- IS2075-K
- IS2076
- SRIK-1
- IS34
- CZ-094
- WZ-071
- O5Z7.5-UNI
- IS2688-EA



TLR-321

TLR-124

VOLTAGE CHART

TRANSISTOR

TRNO	1		2		3		4		5		6		7		8	
	T X	R X	T X	R X	T X	R X	T X	R X	T X	R X	T X	R X	T X	R X	T X	R X
COLLECTOR	0	7.2	9.2	11.0	9.2	11.0	0	1.7	9.2	10.8	0	0.7 (0)	0	0	0	0
BASE	0	1.3	0	1.5	0	1.5	0	0.7	0	1.7	0	0	0	0	0	0
EMITTER	0	0.8	0	0.8	0	0.8	0	0	0	0.9	0	0	0	0	0	0
REMARKS												※1			※1	

TRNO	9		10		11		12		13		14		15		16	
	T X	R X	T X	R X	T X	R X	T X	R X	T X	R X	T X	R X	T X	R X	T X	R X
	4.7	10.5	7.4	0	2.5	2.5	0.8	9.0	13.0	13.8	12.9	13.5	12.9	13.5	13.6	13.6
	1.0	3.3	6.8	7.3	3.1	0.8	7.4	2.0	2.0	2.4	0	0	0	0	6.5	6.5
	0.4	7.3	7.4	7.4	4.9	0	7.3	1.6	9.0	0	0	0	0	0	5.8	5.8

IC

PIN NO.	1	2	3	4	5	6	7	8	9	10	11	12	13	14	15	16
IC 1	7.0	13.8	13.1	0	0	0	0.6	0.6	—	—	—	—	—	—	—	—
IC 2	2.6	2.8	2.9	2.5	0	7.4	2.0	7.4	5.8	—	—	—	—	—	—	—
IC 3	7.4	3.2	0	7.4 (7.0)	3.5	3.5	3.2 (2.8)	6.3 (0)	3.2	0	0	0	7.3	7.3	0	7.3

17	18	REMARKS
—	—	
—	—	
7.3	0	* 2

— REMARKS—

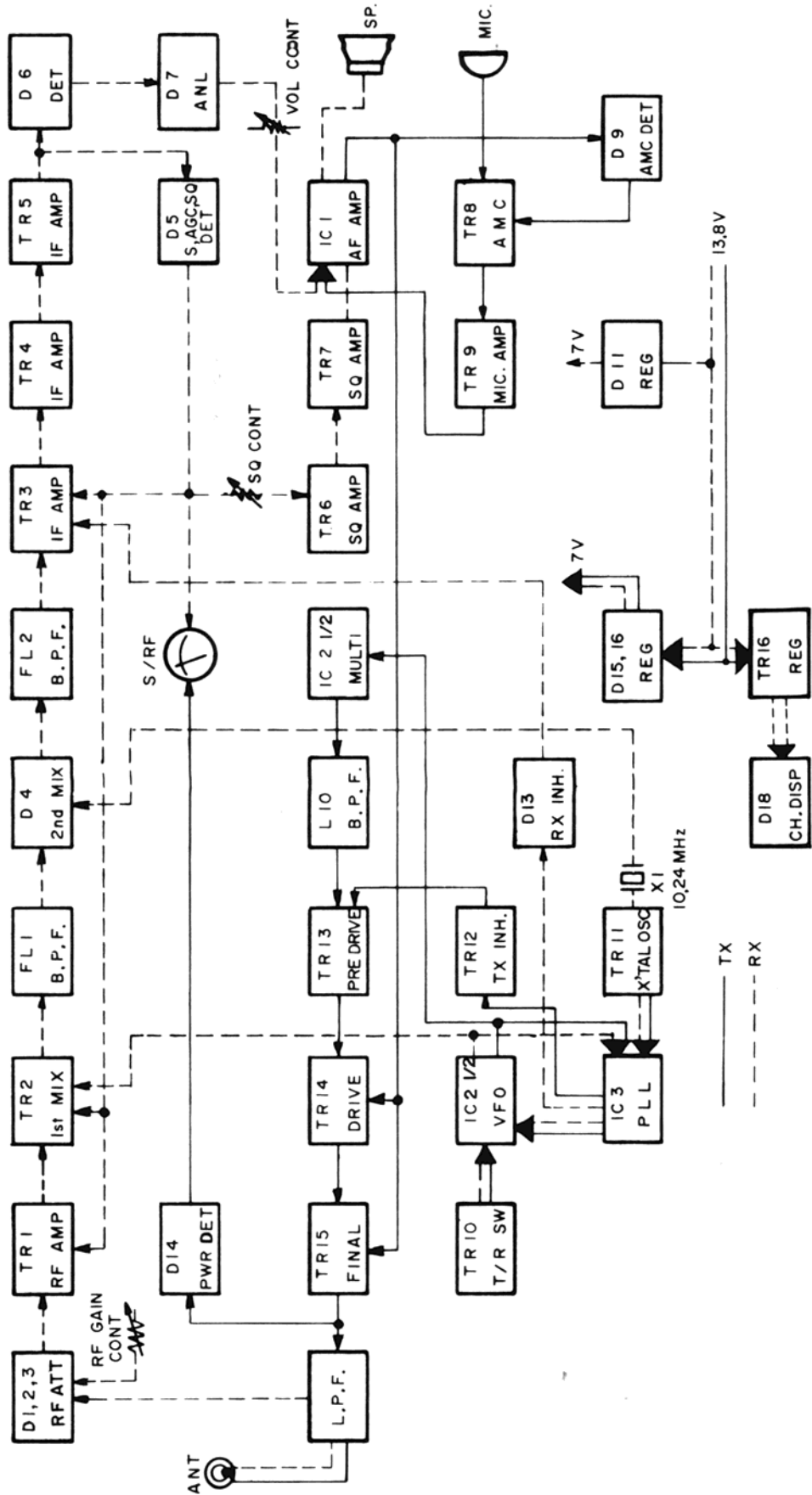
VOLTAGE VALUES ARE SHOWN IN VOLTS WHICH IS MEASURED BY DC VOLTMETER ON CHANNEL 19 AT NO SIGNAL, RECEIVE AND AT NO MODULATION, TRANSMIT.

IC VOLTAGES ARE MEASURED AT RECEIVE.

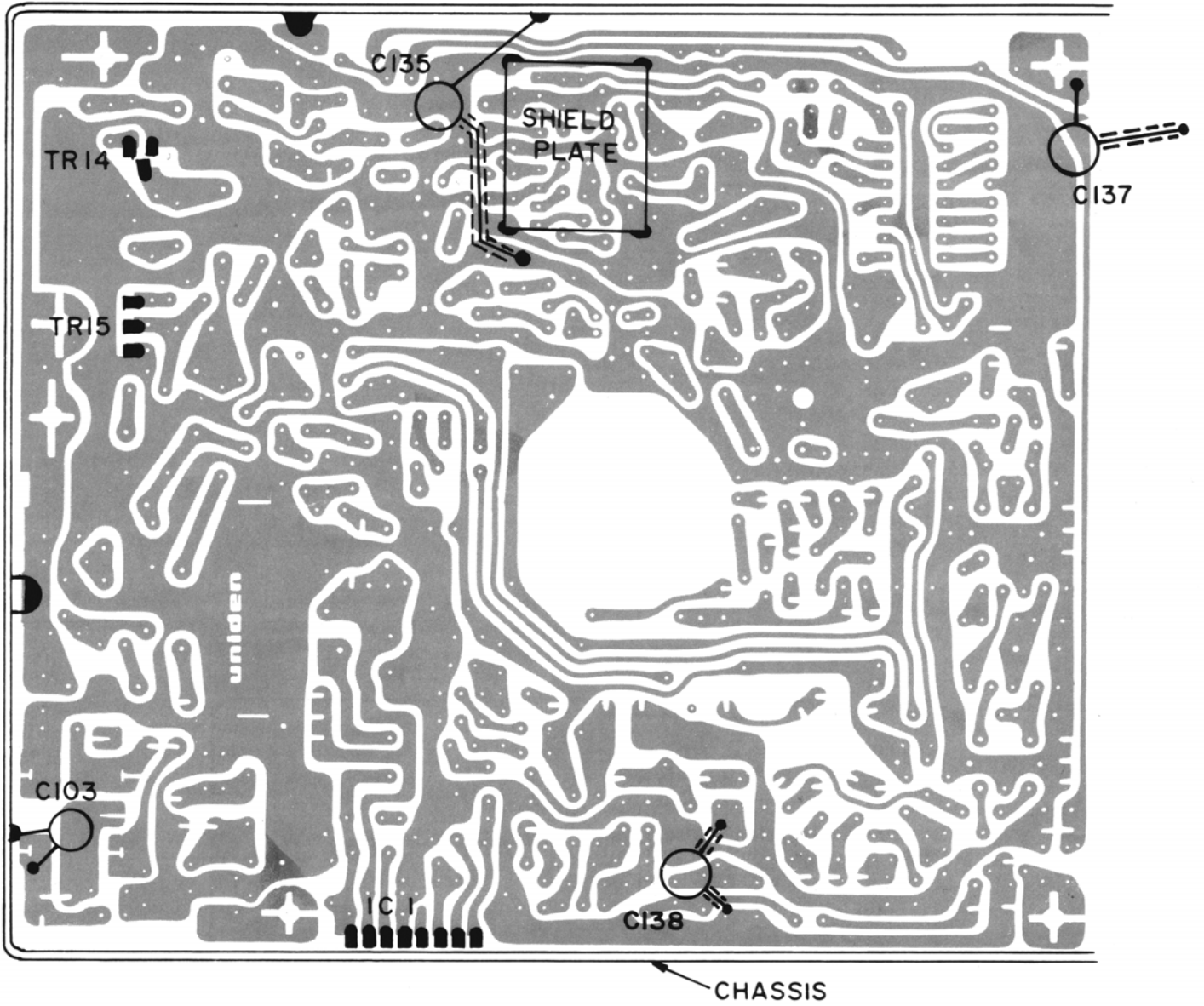
*1 WITHOUT (): SQ CONTROL CCW

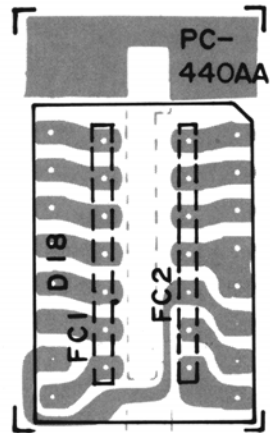
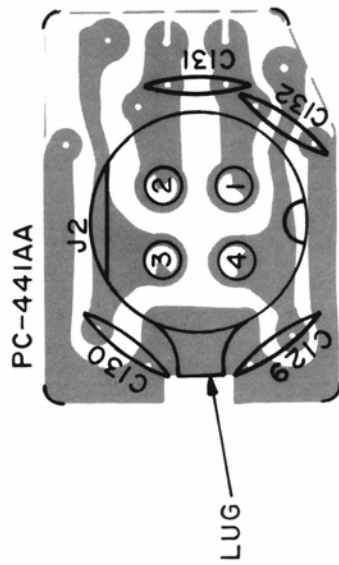
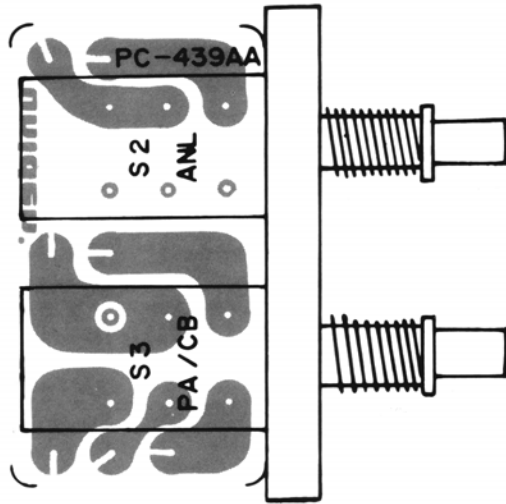
WITH (): SQ CONTROL CW

*2 WITH (): TX



PC-437AC





Parts List STALKER IV and STALKER VIII

Computer No.	Symbol No.	Part No.	Description
D1803	IC 1	DDEY157001	Integrated Circuit MB 3712
D1568	IC 2	DDEY109001	Integrated Circuit TA 7310 P
D1804	IC 3	DDEY155001	Integrated Circuit TC 9109 P
B1011	TR 8, 10	DDBY003001	Transistor 2SA 733 P
B1237	TR 1, 2	DDBY287001	Transistor 2 SC 1342 B
D1219	TR 3, 4, 5, 6, 7, 9, 11, 12	DDBY281001	Transistor 2 SC 1359 A
L1171	TR 14, 16	DDBY256002	Transistor 2SC2028
L1172	TR 15	DDBY257001	Transistor 2SC2029
B1229	TR 13	DDBY270001	Transistor 2SC2076 C
C1053	D 7	DDAY063001	Diode 1S2075K
D1806	D 1, 2, 3, 8, 9, 13, 14	DDAY069001	Diode 1S2076
C1050	D 4, 5	DDAY001001	Diode IN 60-AM
D1807	D 6	DDAY051001	Diode 1S34
E1005	D 10, 17	DDAY002001	Diode, SR1K1
D1808	D 15	DDAY010002	Diode, Zenor CZ 094
C1044	D 11	DDAY008002	Diode, Zenor WZ 071
D1809	D 16	DDAY108001	Diode, Zenor 05Z7.5
E1008	D 12	DDAY006003	Diode, Vari-Cap. 1S2688 EA
D1706	D 19	DDAY100001	Diode, LED TLR 124
D1210	D 18	DDAY078001	Diode, LED TLR 321
D1587	L 7	LLAY204001	Coil, LA 204
D1766	L 8	LLAY207001	Coil, LA 207
D1810	L 11	LLAY208001	Coil, LA 208
D1811	L 1	LLAY279001	Coil, LA 279
D1812	L 2	LLAY280001	Coil, LA 280
D1813	L 6	LLAY281001	Coil, LA 281
D1814	L 9	LLAY282001	Coil, LA 282
D1815	L10	LLAY283001	Coil, LA 283
D1816	L 3	LLBY118001	Coil, LB 118
D1817	L 4	LLBY119001	Coil, LB 119
D1111	L 12, 15, 18	LLCY018001	Coil, LC 018
E1156	L 14	LLDY012001	Coil, LD 012
D1580	L 19	LLDY087001	Ferrite Bead Core LD 087
D1581	L 20	LLDY088001	Ferrite Bead Core LD 088
D1771	L 16	LLEY088001	Coil, LE088
D1772	L 17	LLEY089001	Coil, LE089
D1818	L 13	LLZY002009	Inductor, Molded LZ002 (4.7 uH)
D1819	L 5	LLZY002013	Inductor, Molded LZ002 (10 uH)
D1579	T 1	TTFY120001	Transformer, Output TF120
D1209	T 2	TTFY017001	Coil, AF Choke TF 017
D1731	VR 1	RRVY342001	Resistor, Variable RV342 50K Ohm A
E1240	VR 2	RRVY241001	Resistor, Variable RV241 50K Ohm B
	VR 8	RRVY195001	Resistor, Variable 10K Ohm B
E1258	VR 7	RRVY189001	Resistor, Variable 300K Ohm B

Computer No.	Symbol No.	Part No.	Description
D1775	VR 4, 6	RRVY189006	Resistor, Variable 20K Ohm B
E1239	VR 3, 5	RRVY189007	Resistor, Variable 50K Ohm B
B1273	X1	QQXY074001	Crystal, QX 074 10.240 MHz
D1820		PPCY438011	PC Board PC 438AA (Ch/SW)
D1821		PPCY440011	PC Board PC 440AA (LED)
D1822		FFLY048001	FL 048 Filter, Ceramic
D1823		FFLY066001	FL 066 Filter, Ceramic
D1824		SSRY223001	SR 233, Rotary Switch
D1825		SSWY124001	SW 124 Switch, Push
D1826		SSWY166001	SW 166 Switch, Push
D1827		ASPY055001	SP 055, Speaker
D1863		AMKY105001	MK 105 Microphone
D1741		ZMTY097001	MT 097 Meter
D1828		WWFY101001	WF 101 Flat Cable
D1829		WWFY102001	WF 102 Flat Cable
D1830		WWFY104001	WF 104 Flat Cable
D1831		MDBP305255	SB-K08 Cover, Top
D1832		MDBP305256	SB-K08 Cover, Bottom
D1833		MDBP405257	Mounting Bracket
D1834		MDMP305273	Panel, Front
D1835		MDMP406415	Knob, Channel
D1836		MDMP406416	Knob
D1837		MDMP404046	Knob, Push
D1838		MDNP405278	Nameplate, Brand
D1839		MDNP405277	Control Plate
D1840		MDAP405265	Filter Optical, Ch. Window
D1841		MDPP306418	Display Box
D1842		MZPT234201	Owners Manual
D1843		MZPT234207	Schematic/Parts List
E1235		DDAY082001	SL 1221
C1200		LLAY088001	LA088, Coil
E1236		LLBY127001	LB 127, Coil
E1237		LLCY051001	LC 051, Coil
E1238		LLEY087001	LE 087, Coil
E1242		AMKY114001	MK 114 Microphone
E1243		WZDZ070088	W-070088
E1244		MDBP307225	Cover Top
E1245		MDBP307226	Cover Bottom
E1246		MDMP407254	Knob, Channel
E1247		MDMP407255	Knob
E1248		MCMP400080	Knob, Push Button
E1249		MDMP405995	LED Holder
E1250		MDNP407227	Nameplate Control
E1251		MDNP406228	Nameplate Brand
E1252		MZSZ595008	Wing Bolts
E1253		MDPP307230	Display Box (Stalker VIII)
E1254		MZPT248001	Owners Manual (Stalker VIII)