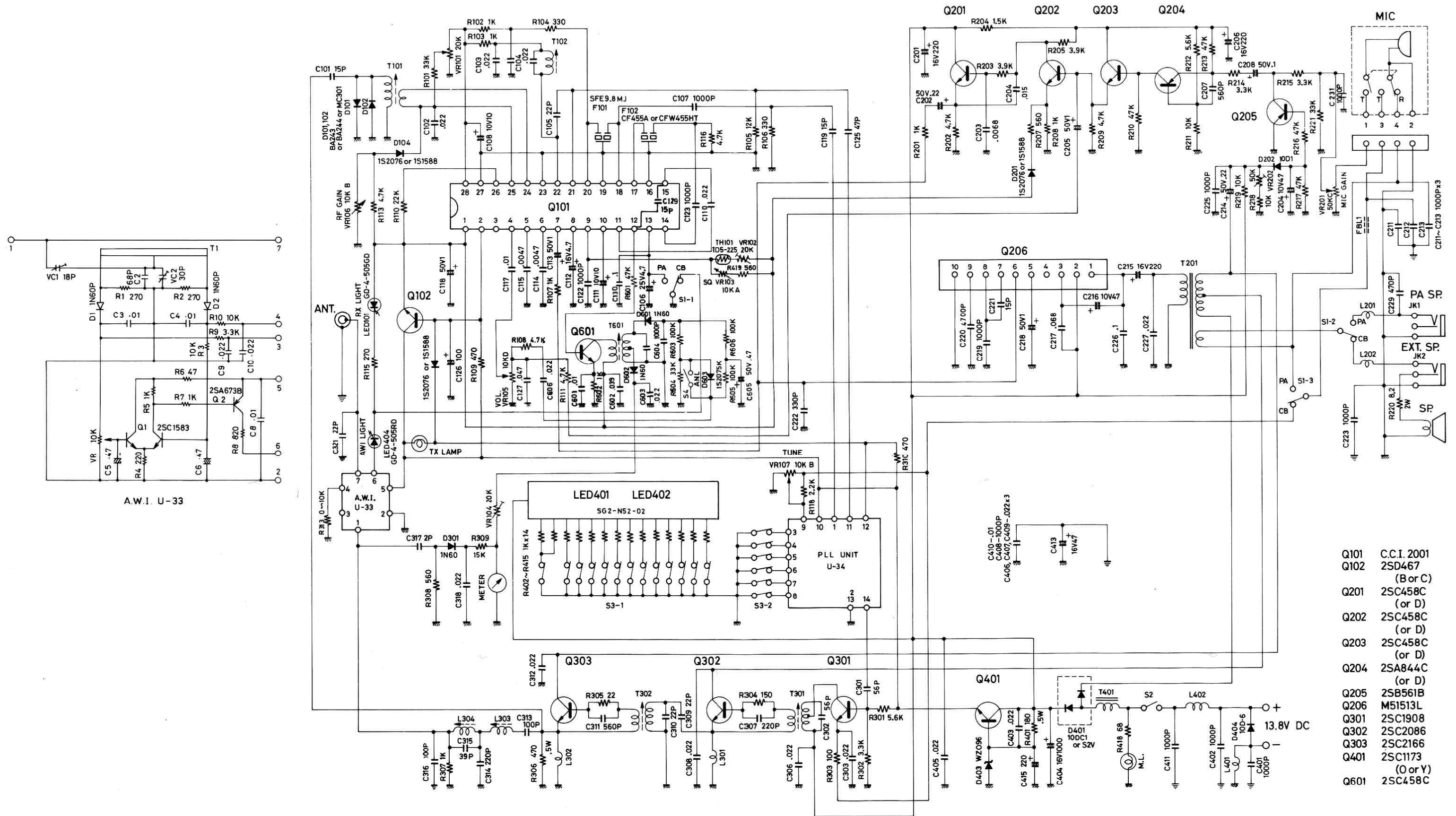


# SCHEMATIC DIAGRAM



- Q101 C.C.I. 2001
- Q102 2SD467  
(B or C)
- Q201 2SC458C  
(or D)
- Q202 2SC458C  
(or D)
- Q203 2SC458C  
(or D)
- Q204 2SA844C  
(or D)
- Q205 2SB561B
- Q206 M51513L
- Q301 2SC1908
- Q302 2SC2086
- Q303 2SC2166
- Q401 2SC1173  
(O or Y)
- Q601 2SC458C