

## GENERAL OPERATING PROCEDURE

**CAUTION:** Before operating this transceiver, you are required by law to read and understand Part 95 of the FCC Rules and Regulations.

Check to see if the proper connections have been made on the power cable, antenna system and microphone.

### 1. RECEIVER

- (a) Turn all rotary controls counter clockwise.
- (b) Put PA-CB switch to CB position.
- (c) Put ANL-OFF Switch to ANL position.
- (d) Turn the ON-OFF switch (on the volume control) to the "ON" position.  
The channel dial and meter light will come on.
- (e) Put Tone control to "LOW" position.
- (f) Select the desired operating channel (1-23).
- (g) Set the Delta Tune switch to its center position.
- (h) Advance the Volume control to normal listening levels.
- (i) Adjust the Squelch control.
- (j) When a signal is heard, adjust the Delta Tune for maximum "S" meter reading.

### 2. TRANSMITTER

**IT IS ILLEGAL TO OPERATE THE TRANSMITTER SECTION OF THIS TRANSCEIVER PRIOR TO RECEIVING A VALID STATION LICENSE AND CALL SIGN.**

#### TO TRANSMIT:

**CAUTION:** Never operate this unit without an adequate antenna system or load as damage may result.

1. Select the desired channel.
2. Depress the push-to-talk switch on the microphone and talk in a normal voice level.

## SERVICING YOUR TRANSCEIVER

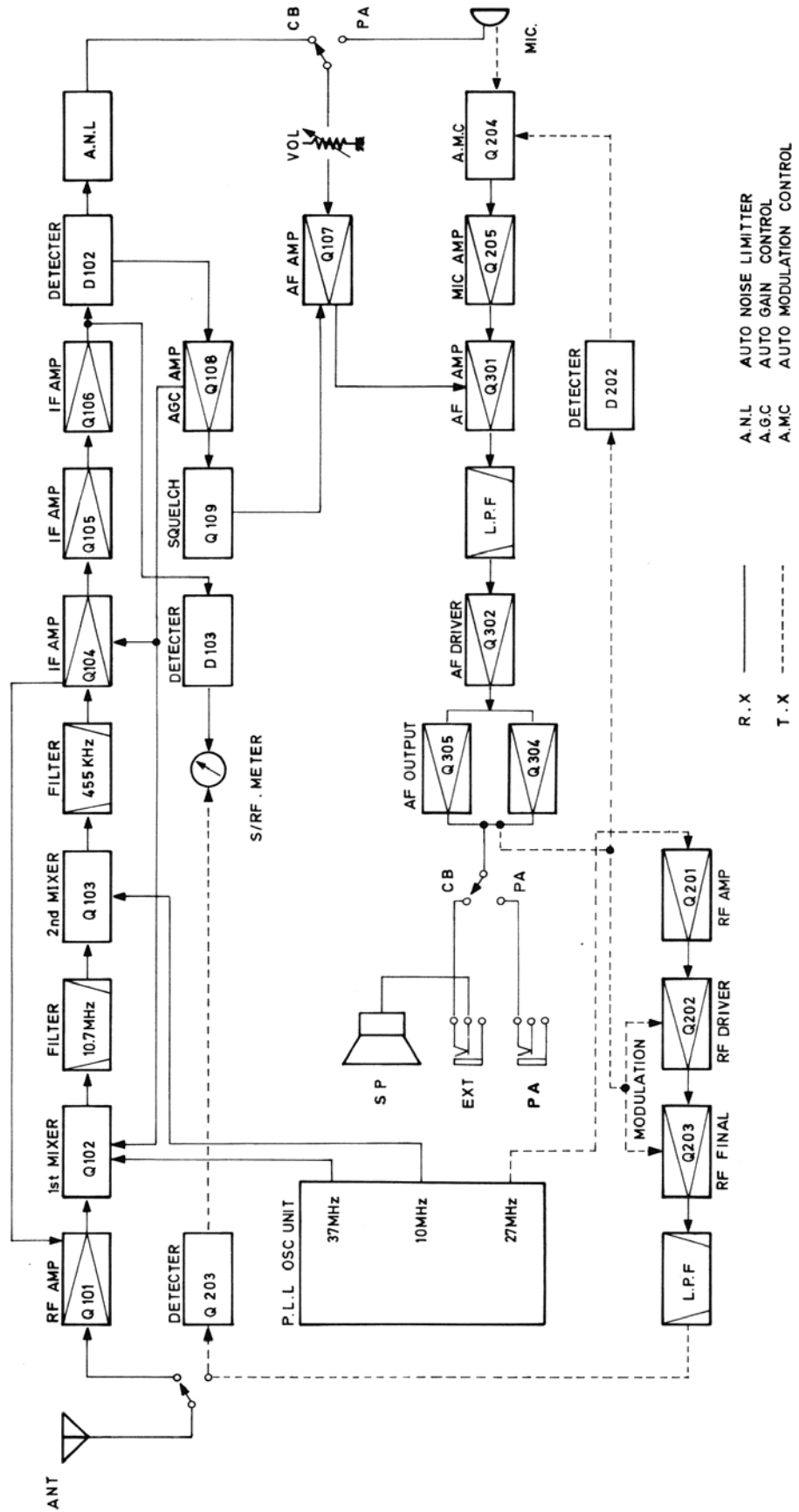
The technical information, diagrams and charts provided in this manual are supplied for the use of a qualified holder of a first or second class radiotelephone license in servicing this transceiver. It is the users responsibility to see that this unit is operating at all times in accordance with the F.C.C. citizens radio service regulations.

If you install your own transceiver, do not attempt to make any transmitter tuning adjust-

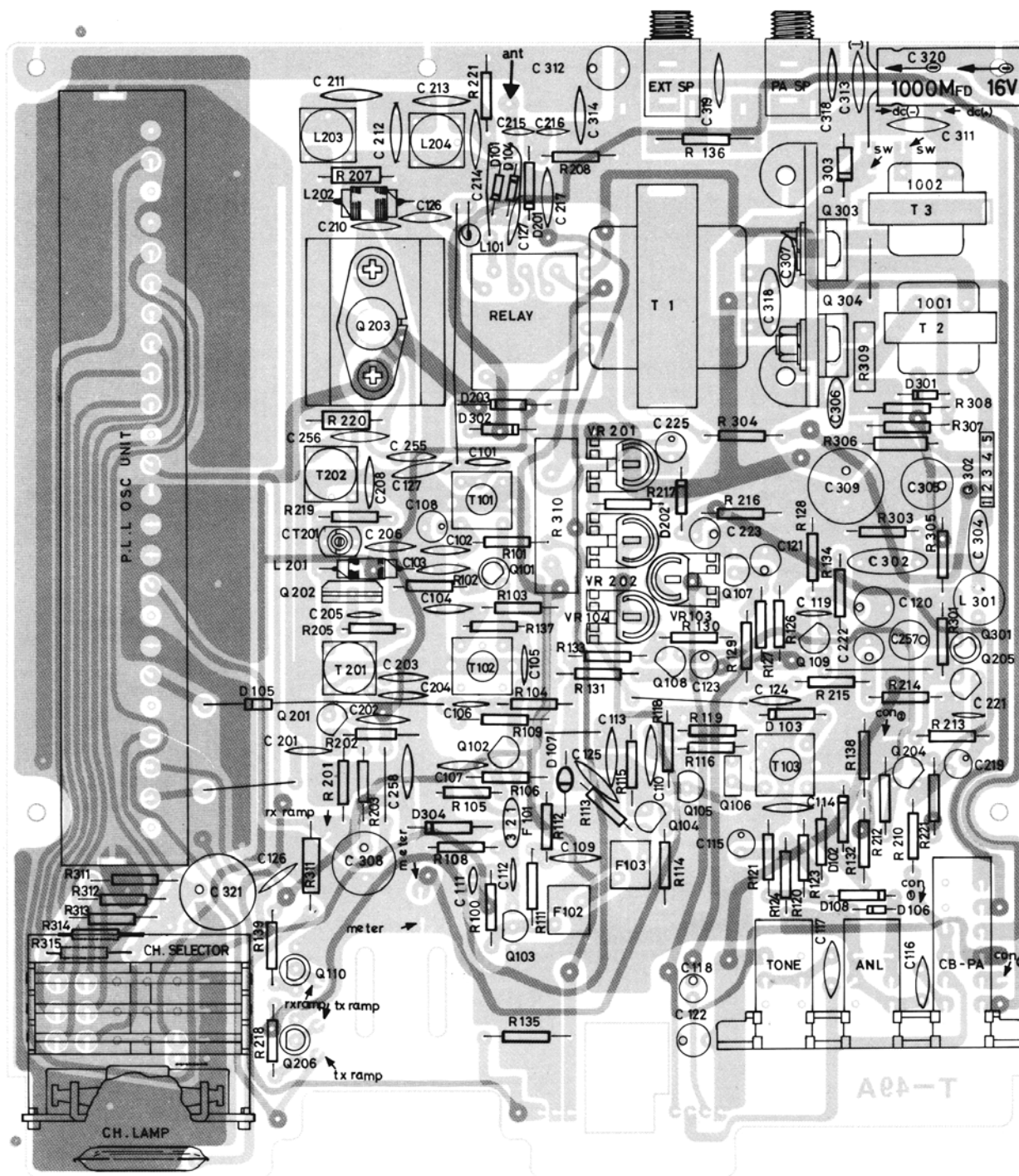
ment. Adjustments are prohibited by the F.C.C. unless you hold or are in the presence and under the supervision of a first or second class radiotelephone licensed person. A Citizens Band or Amateur license is not sufficient.

**WARNING: ANY CHANGE OF CRYSTALS OR OTHER COMPONENTS WHICH WOULD RESULT IN VIOLATIONS OF THE FCC TECHNICAL REQUIREMENTS MUST NOT BE MADE. THESE UNAUTHORIZED CHANGES WILL VOID TYPE ACCEPTANCE OF THIS UNIT.**

# BLOCK DIAGRAMS

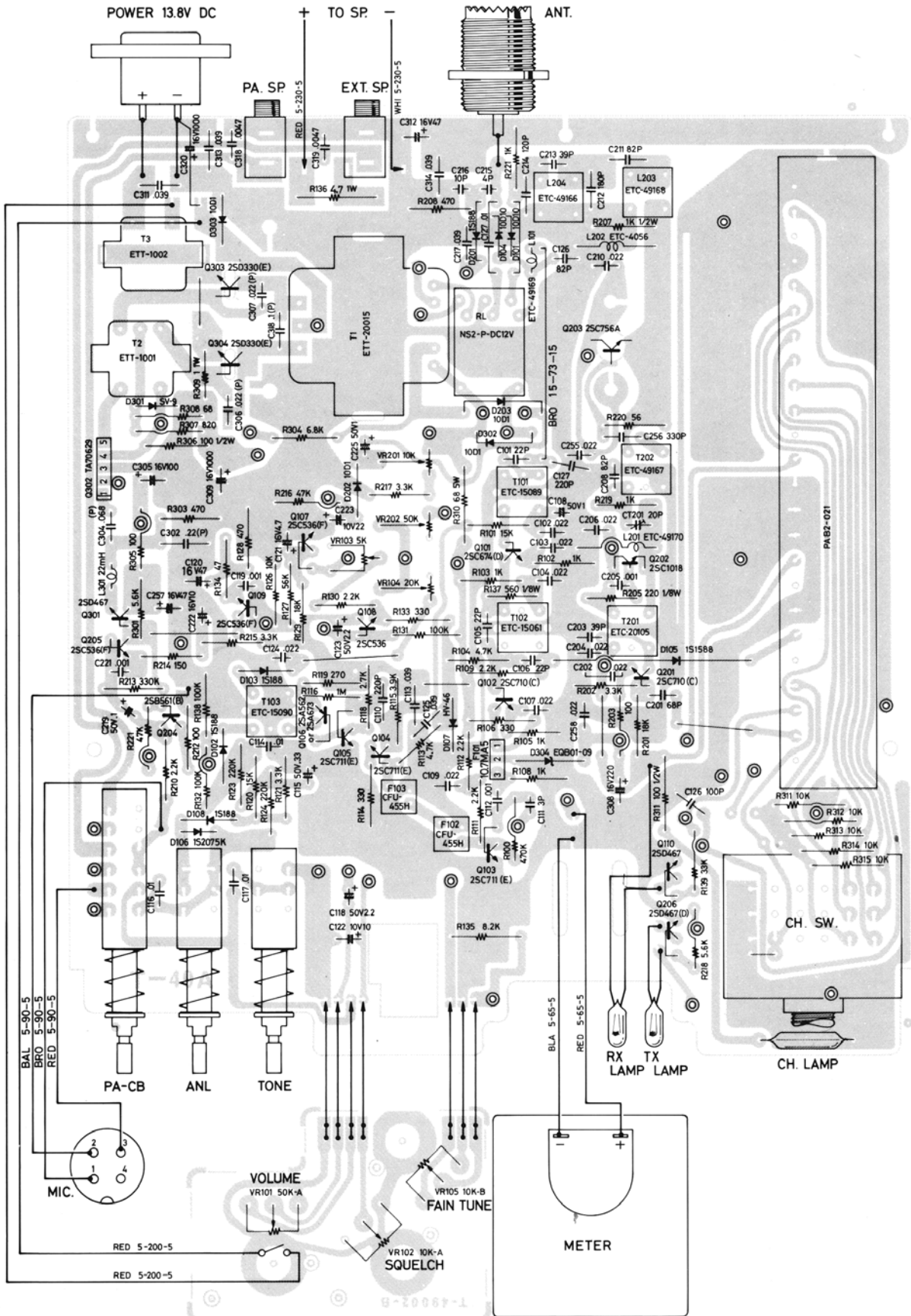


# PARTS LAYOUT (TOP VIEW)



# WIRING DIAGRAM

## (BACK VIEW)



## FEDERAL COMMUNICATIONS COMMISSIONS REQUIREMENTS

Your new Royce 1-601 is a combination receiver-transmitter designed and built for licensed Class D operation on any of the 23 frequencies designated as citizens band channels by the Federal Communications Commission. You are required to read and understand Part 95 of the F.C.C. rules and regulations prior to operation of this unit. Part 95 regulations are available for \$2.25 from the Superintendent of Documents, Government Printing Office, Washington, D.C. 20402. You are also required to complete F.C.C. form 505 and submit it to the F.C.C. in order to receive your license to operate this unit. F.C.C. regulations will be violated if you transmit with this unit prior to receipt of your license.

**NOTE:** The technical information, diagrams, and charts provided in this manual are supplied for the use of a qualified holder of a first or second class radiotelephone license in servicing this transceiver. It is the users responsibility to see that this unit is operating at all times in accordance with the F.C.C. Citizens Radio Service regulations.

If you install or service your own transceiver, do not attempt to make any transmitter tuning adjustment. Transmitter adjustments are prohibited by the F.C.C. unless you hold a first or second class radiotelephone license or are in the presence of a person holding such a license. A Citizens Band or Amateur license is not sufficient.

**ROYCE ELECTRONICS CORPORATION HEREBY CERTIFIES THAT THIS EQUIPMENT HAS BEEN DESIGNED, MANUFACTURED AND FURNISHED IN ACCORDANCE WITH VOL. 6 PART 95 OF THE CURRENT FCC RULES AND REGULATIONS FOR CLASS D CITIZENS BAND OPERATION.**

## FULL 90 DAY WARRANTY POLICY

Royce products are built to rigid specifications and quality audited at several stages in their manufacturing. We warrant each new Royce product to be free from defects in material and craftsmanship for a period of 90 days from date of purchase. We will repair free of charge or replace at no charge any unit which becomes defective during the warranty period, except for products which have been subject to misuse, neglect, accident, modification in wiring not of our own installation, or to use in violation of instructions furnished by us. The warranty does not cover any accessory used in connection with this product. In warranty products should be returned to Royce Electronics freight prepaid.

Royce Electronics Corporation will repair or replace, at their option, and return the item freight prepaid.

**Royce  electronics corporation**

1746 Levee Road North Kansas City, Missouri 64116

Royce Electronics Corporation Copyright 1975  
North Kansas City, Missouri 64116 U.S.A.  
Made Exclusively for Royce Electronics Corp. in Japan.