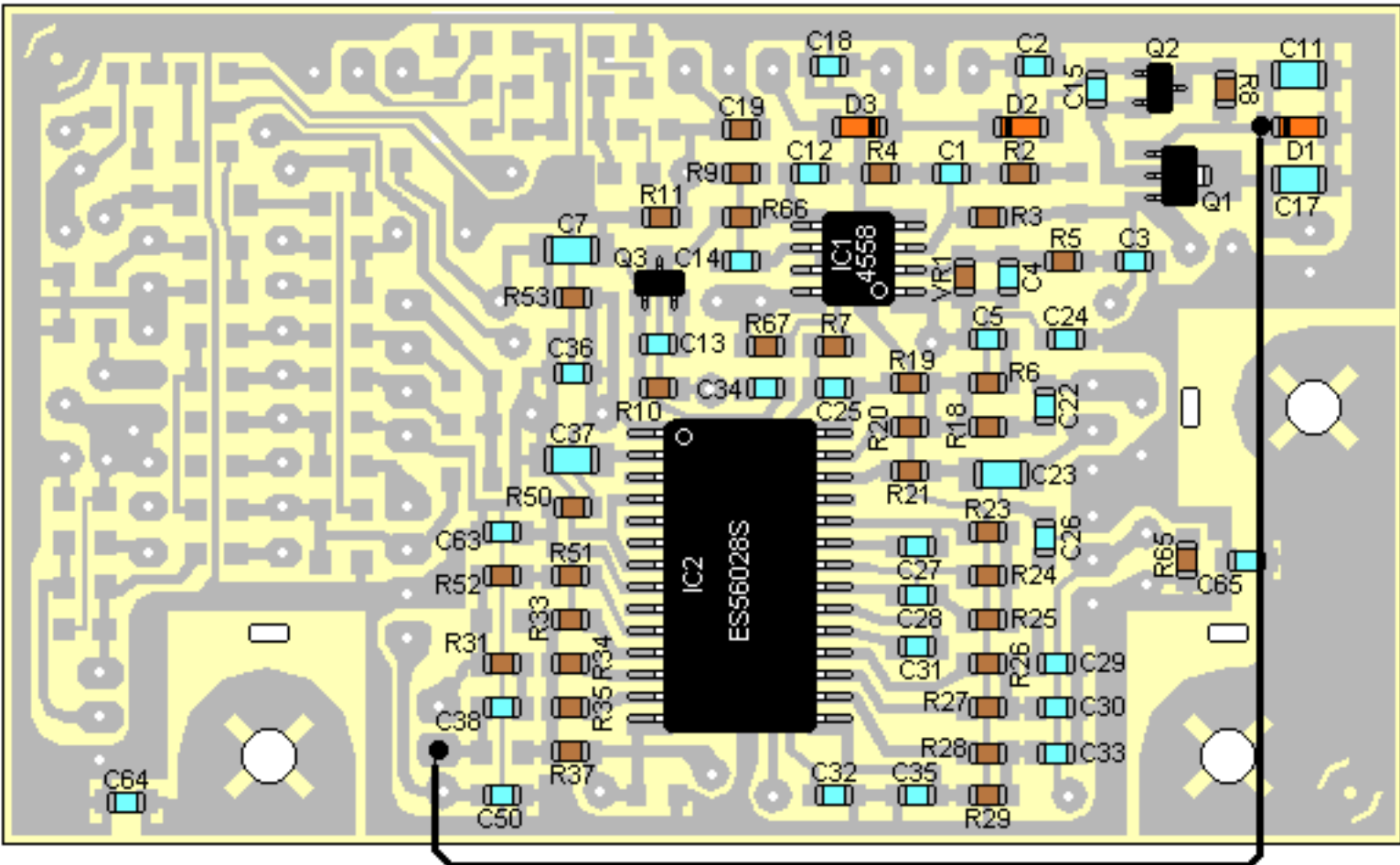


TOP VIEW



VOYAGE VR9000 ECHO PCB

EPT0SSB50C

BOTTOM VIEW

Rev #1.0
All rights reserved