

REPLACEMENT PARTS

RESISTORS

SYMBOL	DESCRIPTION	PART NUMBER
R-1	1000 Ohms $\frac{1}{4}$ Watt	2025-102
R-2	1000 Ohms $\frac{1}{4}$ Watt	2025-102
R-3	1000 Ohms $\frac{1}{4}$ Watt	2025-102
R-4	390 Ohms $\frac{1}{4}$ Watt	2025-391
R-5	1000 Ohms $\frac{1}{4}$ Watt	2025-102
R-6	470 Ohms $\frac{1}{4}$ Watt	2025-471
R-7	47 Ohms $\frac{1}{4}$ Watt	2025-470
R-8	1000 Ohms $\frac{1}{4}$ Watt	2025-102
R-9	1000 Ohms $\frac{1}{4}$ Watt	2025-102
R-10	4700 Ohms $\frac{1}{4}$ Watt	2025-472
R-11	10,000 Ohms $\frac{1}{4}$ Watt	2025-103
R-12	1000 Ohms $\frac{1}{4}$ Watt	2025-102
R-13	22,000 Ohms $\frac{1}{4}$ Watt	2025-223
R-14	100,000 Ohms $\frac{1}{4}$ Watt	2025-104
R-15	18,000 Ohms $\frac{1}{4}$ Watt	2025-183
R-16	150,000 Ohms $\frac{1}{4}$ Watt	2025-154
R-17	270,000 Ohms $\frac{1}{4}$ Watt	2025-274
R-18	50,000 Ohms Control (Vol.)	2008-054
R-19	220,000 Ohms $\frac{1}{4}$ Watt	2025-224
R-20	3,300,000 Ohms $\frac{1}{4}$ Watt	2025-335
R-21	22,000 Ohms $\frac{1}{4}$ Watt	2025-223
R-22	8,200 Ohms $\frac{1}{4}$ Watt	2025-822
R-23	47,000 Ohms $\frac{1}{4}$ Watt	2025-473
R-24	10,000 Ohms $\frac{1}{4}$ Watt	2025-103
R-25	27 Ohms 1 Watt	2002-470
R-26	33 Ohms $\frac{1}{2}$ Watt	2001-330
R-27	180 Ohms 2 Watts	2003-181
R-28	5 Ohms 5 Watts	2011-018
R-29	2 Ohms 5 Watts	2011-003
R-30	100 Ohms $\frac{1}{2}$ Watt	2001-101
R-31	820,000 Ohms $\frac{1}{4}$ Watt	2025-824
R-32	33,000 Ohms $\frac{1}{4}$ Watt	2025-333
R-33	10,000 Ohms $\frac{1}{4}$ Watt	2025-103
R-34	1,000 Ohms $\frac{1}{4}$ Watt	2025-102
R-35	2,700 Ohms $\frac{1}{4}$ Watt	2025-272
R-36	1,000 Ohms $\frac{1}{4}$ Watt	2025-102
R-37	22,000 Ohms $\frac{1}{4}$ Watt	2025-223
R-38	10,000 Ohms $\frac{1}{4}$ Watt	2025-103
R-39	1,000 Ohms $\frac{1}{4}$ Watt	2025-102
R-40	10,000 Ohms $\frac{1}{4}$ Watt	2025-103
R-41	8,200 Ohms $\frac{1}{4}$ Watt	2025-822

REPLACEMENT PARTS - RESISTORS (Continued)

SYMBOL	DESCRIPTION	PART NUMBER
R-42	680 Ohms ¼ Watt	2025-681
R-43	50,000 Ohms Control (Squelch)	2008-055
R-44	22,000 Ohms ¼ Watt	2025-223
R-45	4,700 Ohms ¼ Watt	2025-472
R-46	4,700 Ohms ¼ Watt	2025-472
R-47	470 Ohms ¼ Watt	2025-471
R-48	1,800 Ohms ¼ Watt	2025-182
R-49	6,800 Ohms ¼ Watt	2025-682
R-50	470 Ohms ¼ Watt	2025-471
R-51	10,000 Ohms ¼ Watt	2025-103
R-52	470 Ohms ¼ Watt	2025-471
R-53	180 Ohms ¼ Watt	2025-181
R-54	2,200 Ohms ¼ Watt	2025-222
R-55	1,000 Ohms ¼ Watt	2025-102
R-56	120 Ohms ¼ Watt	2025-121
R-57	100 Ohms ¼ Watt	2025-101
R-58	12 Ohms ¼ Watt	2025-120
R-59	2.7 Ohms ½ Watt	2000-017
R-61	47,000 Ohms ¼ Watt	2025-473
R-101	8,200 Ohms ¼ Watt	2025-822
R-102	15,000 Ohms ¼ Watt	2025-153
R-103	680 Ohms ¼ Watt	2025-681
R-104	15,000 Ohms ¼ Watt	2025-153
R-105	8,200 Ohms ¼ Watt	2025-822
R-106	680 Ohms ¼ Watt	2025-681

CAPACITORS

C-1	.01MFD 20% 50 WVDC Disc Ceramic	0401-032
C-2	.01MFD 20% 50 WVDC Disc Ceramic	0401-032
C-3	.01MFD 20% 50 WVDC Disc Ceramic	0401-032
C-4	1PF 10% 500 WVDC Molded	0401-041
C-5	1PF 10% 500 WVDC Molded	0401-041
C-6	.01MFD 20% 50 WVDC Disc Ceramic	0401-032
C-7	.01MFD 20% 50 WVDC Disc Ceramic	0401-032
C-8	.01MFD 20% 50 WVDC Disc Ceramic	0401-032
C-9	2.2PF 10% 500 WVDC Molded	0401-042
C-10	.01MFD 20% 50 WVDC Disc Ceramic	0401-032
C-11	.05MFD +80 -20% 100 WVDC Disc Ceramic	0401-066
C-12	.01MFD 20% 50 WVDC Disc Ceramic	0401-032
C-13	.05MFD +80 -20% 100 WVDC Disc Ceramic	0401-066
C-14	.001MFD 20% 1000 WVDC Disc Ceramic	0401-015
C-15	.001MFD 20% 1000 WVDC Disc Ceramic	0401-015

REPLACEMENT PARTS - CAPACITORS (Continued)

SYMBOL	DESCRIPTION	PART NUMBER
C-16	.01MFD 20% 50 WVDC Disc Ceramic	0401-032
C-17	.47MFD 20% 10 WVDC Disc Ceramic	0401-054
C-18	.003MFD 20% 1000 WVDC Disc Ceramic	0401-016
C-19	.1MFD +80 -20% 50 WVDC Disc Ceramic	0401-034
C-20	.1MFD +80 -20% 50 WVDC Disc Ceramic	0401-034
C-21	160MFD 25 WVDC Electrolytic	0406-053
C-22	125MFD 16 WVDC Electrolytic	0406-049
C-23	1000MFD 16 WVDC Electrolytic	0406-057
C-24	1000MFD 16 WVDC Electrolytic	0406-057
C-25	.01MFD 20% 50 WVDC Disc Ceramic	0401-032
C-26	15MFD 15 WVDC Tantalex	0409-001
C-27	2MFD 25 WVDC Electrolytic	0406-016
C-28	15MFD 15 WVDC Tantalex	0409-001
C-29	15MFD 15 WVDC Tantalex	0409-001
C-30	.01MFD 20% 50 WVDC Disc Ceramic	0401-032
C-31	39PF 5% 500 WVDC Dur-Mica	0402-058
C-32	5-25PF Trimmer	0403-033
C-33	12PF 5% 500 WVDC Dur-Mica	0402-056
C-34	18PF 5% 500 WVDC Dur-Mica	0402-053
C-35	1000MFD 16 WVDC Electrolytic	0406-057
C-36	2.2MFD 3 WVDC Disc Ceramic	0401-060
C-37	2.2MFD 3 WVDC Disc Ceramic	0401-060
C-38	.05MFD +80 - 20% 100 WVDC Disc Ceramic	0401-066
C-39	.33MFD 20% 200 WVDC Mylar	0404-025
C-40	470PF 5% 100 WVDC Dur-Mica	0402-052
C-41	8PF 2% 500 WVDC Dur-Mica	0402-049
C-42	.05MFD +80 -20% 100 WVDC Disc Ceramic	0401-066
C-43	.01MFD 20% 50 WVDC Disc Ceramic	0401-032
C-44	.01MFD 20% 50 WVDC Disc Ceramic	0401-032
C-45	.01MFD 20% 50 WVDC Disc Ceramic	0401-032
C-46	.01MFD 20% 50 WVDC Disc Ceramic	0401-032
C-47	.01MFD 20% 50 WVDC Disc Ceramic	0401-032
C-48	.01MFD 20% 50 WVDC Disc Ceramic	0401-032
C-49	47PF 5% 500 WVDC Dur-Mica	0402-057
C-50	25-280PF Compression Trimmer	0403-041
C-51	.001 MFD 1000 WVDC Disc Ceramic	0401-015
C-53	50PF 10% 500 WVDC Dur-Mica	0402-039
C-54	75PF 5% 500 WVDC Dur-Mica	0402-061
C-55	330PF 5% 500 WVDC Dur-Mica	0402-055
C-56	.001MFD 20% 1000 WVDC Disc Ceramic	0401-015
C-57	130PF 5% 500 WVDC Dur-Mica	0402-043
C-58	.001MFD 20% 1000 WVDC Disc Ceramic	0401-015

REPLACEMENT PARTS - CAPACITORS (Continued)

SYMBOL	DESCRIPTION	PART NUMBER
C-101	39PF 5% 500 WVDC Dur-Mica	0402-058
C-102	47PF 5% 500 WVDC Dur-Mica	0402-057
C-103	270PF 5% 100 WVDC Dur-Mica	0402-060
C-104	.01PF 20% 50 WVDC Disc Ceramic	0401-032
C-105	470PF 5% 100 WVDC Dur-Mica	0402-052
C-106	.01PF 20% 50 WVDC Disc Ceramic	0401-032
C-107	47PF 5% 500 WVDC Dur-Mica	0402-057
C-108	50PF 10% 500 WVDC Dur-Mica	0402-039
C-109	270PF 5% 100 WVDC Dur-Mica	0402-060
C-110	.01MFD 20% 50 WVDC Disc Ceramic	0401-032
C-111	.05MFD +80 -20% 100 WVDC Disc Ceramic	0401-066

TRANSFORMERS

T-1	27.1 mc Antenna Input	1201-153
T-2	27.1 mc Receiver Interstage	1201-152
T-3	6.015 mc IF	1201-151
T-4	455 kc IF	1201-150
T-5	455 kc IF	1201-150
T-6	455 kc IF	1201-150
T-7	455 kc IF	1201-150
T-8	Audio Driver	1202-096
T-9	Modulation	1202-136
T-10	27.1 mc Transmitter Interstage	1201-157
T-11	27.1 mc Transmitter Interstage	1201-154
T-12	27.1 mc Driver Transformer	1201-149

INDUCTANCES

L-1	RFC 5.6 uh	1201-144
L-2	RFC 15 uh	1201-145
L-3	RFC 5.6 uh	1201-144
L-5	RFC 5.6 uh	1201-144
L-6	Pi-Net Coil No. 1	1201-147
L-7	Pi-Net Coil No. 2	1201-148
L-8	TVI Filter Coil	1201-120
L-9	RFC 5.6 uh	1201-144
L-101	RFC 10 uh	1201-146
L-102	RFC 10 uh	1201-146

SEMICONDUCTORS

SYMBOL	DESCRIPTION	PART NUMBER
Q-1	2N2672 RF Amplifier	2904-016
Q-2	2N2672 1st Receiver Mixer	2904-016
Q-3	2N2672 2nd Receiver Mixer	2904-016
Q-4	2N2672 1st IF Amplifier	2904-016
Q-5	2N2672 2nd IF Amplifier	2904-016
Q-6	MPS2716 1st Receiver Audio Amplifier	2904-034
Q-7	MPS2716 2nd Receiver Audio Amplifier	2904-034
Q-8	2N1540 Audio Power Amplifier	2904-008
Q-9	MPS2716 1st Transmit Audio Amplifier	2904-034
Q-10	MPS2716 2nd Transmit Audio Amplifier	2904-034
Q-11	MPS706 33 mc Oscillator	2904-033
Q-12	MPS706 Transmit Mixer	2904-033
Q-13	MPS706 Transmit Buffer	2904-033
Q-14	SM7991 Transmit Driver	2904-032
Q-15	SM7989 Transmit Final	2904-030
Q-101	MPS706 Receiver 6 mc Oscillator	2904-033
Q-102	MPS706 Transmit 6 mc Oscillator	2904-033
CR-1	1N34A Detector	2102-010
CR-2	1N34A A.N.L.Gate	2102-010
CR-3	11V Voltage Regulator	2102-023
CR-4	1N2069 Reverse Polarity Protector	2102-014
CR-5	1N2069 Negative Peak Clipper	2102-014
CR-6	1N2069 Squelch Gate	2102-014
CR-7	1N34A A.G.C. Detector	2102-010
CR-8	1N2069 Reverse Polarity Protector	2102-014
CR-9	1N2069 Transient Suppressor	2102-014

MISCELLANEOUS

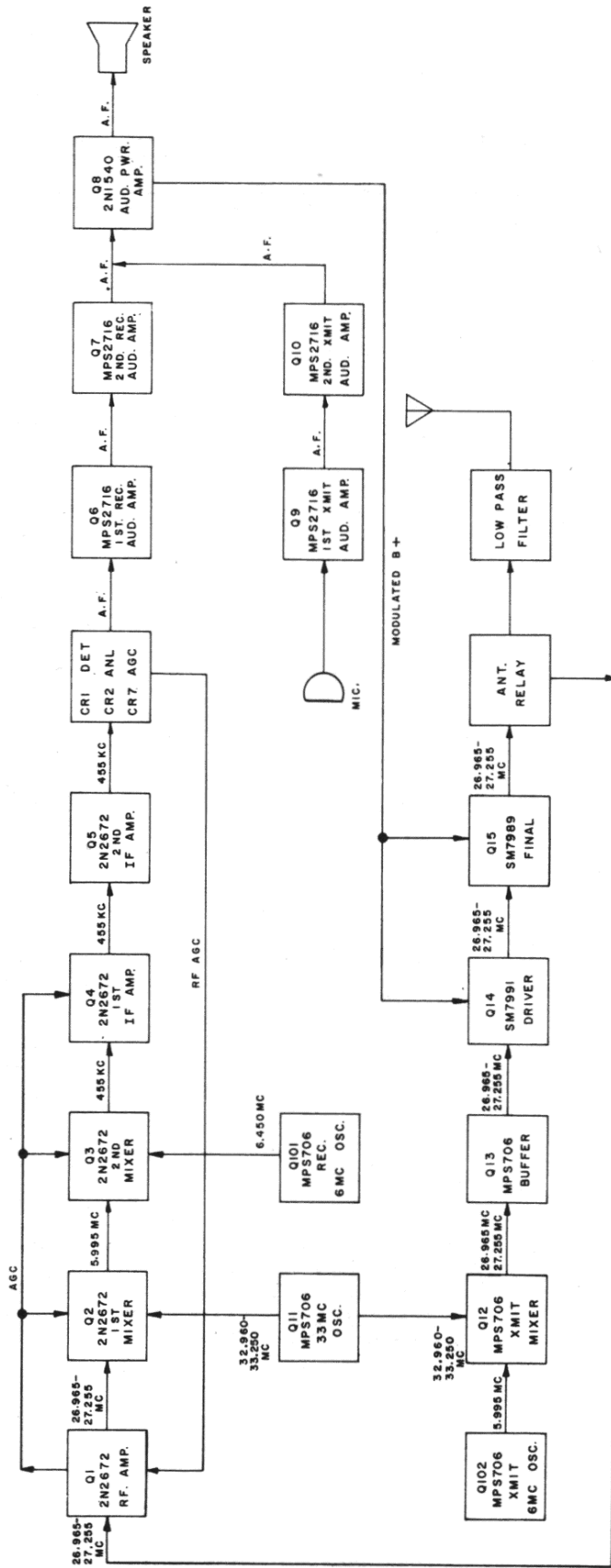
Fuse 3 Amp.	0801-002
Fuse Holder	0802-001
Knob, Screw Cradle	1103-077
Retainer, Transistor Socket	1103-107
Knob, Front Small	1301-055
Knob, Front Large	1301-056
Mounting Cradle Ass'y	2601-055
Side Rail	1508-051
Cover	1510-035
Channel Disc	1511-065
Panel Plastic Ass'y	2601-057
Microphone	1601-017
Pilot Lamp No. 1705	1801-023

REPLACEMENT PARTS - MISCELLANEOUS (Continued)

DESCRIPTION	PART NUMBER
Relay	1902*020
Crystal Socket	2301-057
Crystal Socket Spec.	2301-069
Transistor Socket	2301-067
Antenna Connector	2303-004
Power Connector Male	2303-039
Power Connector Female	2303-040
Speaker 2- $\frac{1}{4}$ x 6- $\frac{1}{2}$	2501-021
Channel Selector	2701-076
Teflon Terminal	2805-001
Teflon Feedthru	2805-002
Driver Heat Sink	2905-001

CRYSTALS**FREQUENCY**

32.960	0511-001
32.970	0511-002
32.980	0511-003
32.000	0511-004
33.010	0511-005
33.020	0511-006
33.030	0511-007
33.050	0511-008
33.060	0511-009
33.070	0511-010
33.080	0511-011
33.100	0511-012
33.110	0511-013
33.120	0511-014
33.130	0511-015
33.150	0511-016
33.160	0511-017
33.170	0511-018
33.180	0511-019
33.200	0511-020
33.210	0511-021
33.220	0511-022
33.250	0511-023



ESCORT II
BLOCK DIAGRAM
FIG. 4.1

FIGURE 4.1
BLOCK DIAGRAM

CHANNEL	CRYSTAL FREQUENCY
1	32.960
2	32.970
3	32.980
4	33.000
5	33.010
6	33.020
7	33.030
8	33.050
9	33.060
10	33.070
11	33.080
12	33.100
13	33.110
14	33.120
15	33.130
16	33.150
17	33.160
18	33.170
19	33.180
20	33.200
21	33.210
22	33.220
23	33.250

FIGURE 4.2
CRYSTAL CHART

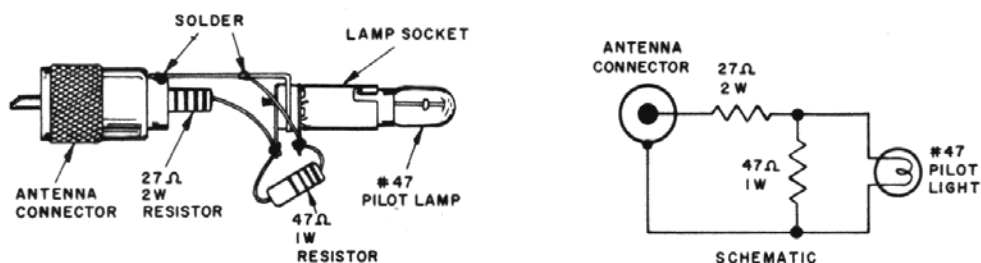
FIGURE 4.4 DC VOLTAGE CHARTS RECEIVER

SYMBOL	Q1	Q2	Q3	Q4	Q5	Q6	Q7	Q8	Q11	Q101
EMITTER	+9.7	+10	+10	+10.1	+7.5	+1.0	+1.2	+11.2	+5.5	+6
BASE	+9.5	+9.8	+9.8	+9.7	+7.3	+1.5	+1.8	+11.0	+4.6	+3.2
Collector	0	0	0	0	0	+10.8	+10.5	+5	+10.8	+10.8

TRANSMITTER

SYMBOL	Q8	Q9	Q10	Q11	Q12	Q13	Q14	Q15	Q102
EMITTER	+11.2	+1.2	+2.4	+5.4	1.0	+2.5	0	0	+5
BASE	+11.0	+1.8	+3.0	+4.4	.5	+3.0	-.2	-.2	+2
Collector	+1.5	+5.8	+10.0	+10.8	+10.8	+10.8	+12.2	+12.2	+10.8

- NOTE -
1. Measurements made with VTVM.
 2. Receiver measurements made with no signal and squelch control set fully CCW
 3. Supply voltage set to 13.8 VDC
 4. Transmitter was unmodulated and loaded to 5 watts input



PEARCE SIMPSON
RECOMMENDED DUMMY ANTENNA FOR CITIZENS
BAND TRANSMITTER ADJUSTMENTS.

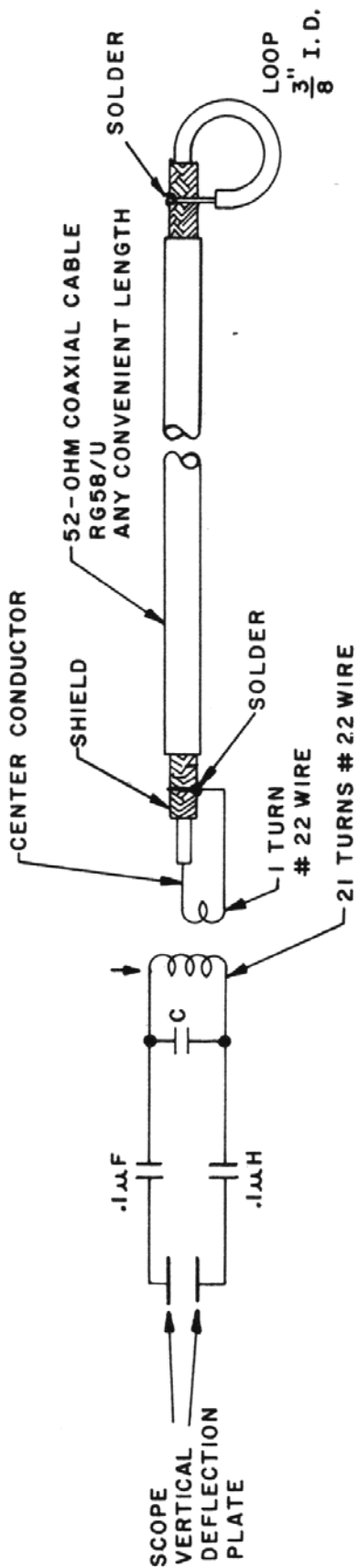


FIGURE 4.6
RF PICK UP LOOP

NOTES:

1. THE VALUE OF C IN THE TUNED CIRCUIT MAY RANGE FROM 5 TO 10 PF DEPENDING ON THE OSCILLOSCOPE IT IS USED ON.
2. TRANSFORMER WOUND ON 3/8" COIL FORM WITH TUNABLE IRON CORE. SUGGESTED COIL FORM IS CAMBION # 1465-3-1
3. TUNE SLUG FOR MAXIMUM SCOPE VERTICAL DEFLECTION.

R.F. PICK-UP LOOP FOR OSCILLOSCOPE

FIG. 4.6



PEARCE-SIMPSON, INC.

P. O. Box 800, Biscayne Annex, Miami, Florida 33152