

This Manual is provided by
CBTricks.com

Someone who wanted to help you repair your equipment
scanned this manual.

If you would like to help us put more manuals online support us.

Supporters of CBTricks.com paid for the hosting so you would have this file.

CBTricks.com is a non-commercial personal website was created to help promote the exchange of service, modification, technically oriented information, and historical information aimed at the Citizens Band, GMRS (CB "A" Band), MURS, Amateur Radios and RF Amps.

CBTricks.com is not sponsored by or connected to any Retailer, Radio, Antenna Manufacturer or Amp Manufacturer, or affiliated with any site links shown in the links database. The use of product or company names on my web site is not endorsement of that product or company.

If your company would like to provide technical information to be featured on this site I will put up on the site as long as I can do it in a non-commercial way.

The site is supported with donation from users, friends and selling of the Galaxy Service Manual CD to cover some of the costs of having this website on the Internet instead of relying on banner ads, pop-up ads, commercial links, etc. to pay my costs. Thus I do not accept advertising banners or pop-up/pop-under advertising or other marketing/sales links or gimmicks on my website.

ALL the money from donations is used for CBTricks.com I didn't do all the work to make money (I have a day job). This work was not done for someone else to make money also, for example the ebay CD sellers.

All Trademarks, Logos, and Brand Names are the property of their respective owners.
This information is not provided by, or affiliated in any way with any radio or antenna Manufacturers.
Thank you for any support you can give.

REPLACEMENT PARTS

DIODES

SYMBOL	DESCRIPTION	PART NUMBER
D-1,2,6,7,8,9,10,23,24, 45,46,50,51,52	IN-60	
D-3,11	IN-60 4448	
D-4,5,16,17,18,20,21, 22,29,30,35,36,38,39, 48,49	IS2473, Horizontal	
D-12,19,25,26,27,28,31, 32,33,34	IN60P	
D-13	ZE1.5	
D-14,15,41,42,43,44	IS1007	
D-37,53	IS2473, Vertical	
D-40,56,57	BZ-090	
D-54,59,62,63,64,65	SR1K-2	
D-55	CD-37	
D-58	WZ-081	
D-60	WZ-061	
D-61	BZ-162	
D-66	KB-262	

INDUCTANCES

SYMBOL	DESCRIPTION	PART NUMBER
L-1,10,12	TC71024 27MHz./54MHz. Trap	
L-2	LF1, 100 μ H Micro Inductor	
L-3	LF4, 8.2 μ H Micro Inductor	
L-4	LF4, 3.9 μ H Micro Inductor	
L-5,6,7	LF1, 470 μ H Micro Inductor	
L-8,9	NS1367 TX 27 MHz. Filter	
L-11,13,14	NS1515B Choke	
L-15	NS1516 Choke	

TRANSFORMERS

SYMBOL	DESCRIPTION	PART NUMBER
T-1,14,15	TKAC22015A 7.8 MHz.	
T-2	LPN5944BM AM 455 KHz.	
T-3	LLC3657 AM 455 KHz.	
T-4	LLC4990A2 AM 455 KHz.	
T-5	TKXC22019GN RX Antenna	
T-6,7	TKXC22017AO RX RF	
T-8	TKAC22526N RX 1st IF	

REPLACEMENT PARTS

TRANSFORMERS

SYMBOL	DESCRIPTION	PART NUMBER
T-9	TKXN21017ZVI 11 MHz.	
T-10,11,12,13	KXN6711BM 19 MHz.	
T-16	113CC2804AC 7.8 MHz. Carrier OSC	
T-17	TKAN21016AO 7.8 MHz. Balance Modulator	
T-18	TKXC2344N TX 27 MHz.	
T-19	TKXN21014AO TX 27 MHz.	
T-20	TKXN21379UH TX 27 MHz.	
T-21	TKAC23360ZVI TX 27 MHz.	
P.T.	UT-123E Power Transformer	
I.P.T.	N24A-8580A AF Input Transformer	
O.P.T.	N35-8579B AF Output Transformer	

CAPACITORS

SYMBOL	DESCRIPTION	PART NUMBER
C-18	0.47 μ F 50 VDC Electrolytic	
C-2,6,88,89,145,183, 187,189,192,212	1 μ F 50 VDC Electrolytic	
C-52,155	2.2 μ F 25 VDC Electrolytic	
C-57,58,134,139,140, 141,172	4.7 μ F 25 VDC Electrolytic	
C-5,25,53,136,138	10 μ F 16 VDC Electrolytic	
C-54	22 μ F 16 VDC Electrolytic	
C-14,70,124,143,195, 197	47 μ F 10 VDC Electrolytic	
C-86	330 μ F 10 VDC Electrolytic	
C-174,179,184,201	220 μ F 16 VDC Electrolytic	
C-87,90,142	33 μ F 6.3 VDC Electrolytic	
C-188	33 μ F 16 VDC Electrolytic	
C-180,185	220 μ F 6.3 VDC Electrolytic	
C-178	470 μ F 16 VDC Electrolytic	
C-199	1,000 μ F 25 VDC Electrolytic	
C-203	2,200 μ F 25 VDC Electrolytic	
C-137	1 μ F 10 VDC Dip Tantal	
C-29,34,181	0.1 μ F 25 VDC Alminum	
C-200	1,000 pF 50 WV Tubra	
C-151	650 pF 50 WV Silvered Mica	
C-63,149	400 pF 50 WV Silvered Mica	
C-148,153,211	250 pF 50 WV Silvered Mica	
C-9,107,110,113	150 pF 50 WV Silvered Mica	

REPLACEMENT PARTS

CAPACITORS

SYMBOL	DESCRIPTION	PART NUMBER
C-60,61,62,127,147	100pF 50 WV Silvered Mica	
C-66,68,69,154	60 pF 50 WV Silvered Mica	
C-109,111	40 pF 50 WV Silvered Mica	
C-1,7,27,59,165	30 pF 50 WV Silvered Mica	
C-167	25 pF 50 WV Silvered Mica	
C-10,97,98,99,100,101, 102,103,104	20 pF 50 WV Silvered Mica	
C-128,130,131,170	10 pF 50 WV Silvered Mica	
C-3,11	5 pF 50 WV Silvered Mica	
C-37,67,75,158,166,208	2 pF 50 WV Silvered Mica	
C-150	1 pF 50 WV Silvered Mica	
C-39	15 pF 50 WV Silvered Mica	
C-12,13,16,19,21,22, 24,36,41,45,55,56, 65,76,77,79,85,108, 114,115,116,117,120, 125,146,152,156,162, 169,194,196,198,213	0.04 μ F 50 WV SL Ceramic	
C-202,204,205	0.01 μ F 50 WV SL Ceramic	
C-135,173,207	0.001 μ F 50 WV SL Ceramic	
C-175	390 pF 50 WV SL Ceramic	
C-106	150 pF 50 WV SL Ceramic	
C-4,33,64,72,74,78,129, 161,163,164,168,171	0.02 μ F 50 WV AK Ceramic	
C-26,32,42,43,44,46,47, 49,50,71,73,81,132, 133,144,159,160,182, 186,193,209	0.01 μ F 50 WV AK Ceramic	
C-35,38	0.005 μ F 50 WV AK Ceramic	
C-91,92,93,94,95,96	20 pF 50 WV N1200	
C-118,121	20 pF 50 WV N750	
C-105	10 pF 50 WV N470	
C-48,80,157	0.1 μ F 25 WV Semi-conductive	
C-206	0.22 μ F 50 WV Mylar	
C-15,20,23,40,51,83, 176,177	0.04 μ F 50 WV Mylar	
C-31,82,84	0.01 μ F 50 WV Mylar	
C-30	0.002 μ F 50 WV Mylar	
C-8,28,112,119,122,126, 190,191,123,210	0.001 μ F 50 WV Mylar	
C-17	500 pF 50 WV Styrol	

REPLACEMENT PARTS

RESISTORS

SYMBOL	DESCRIPTION	PART NUMBER
R-1,23	1 M Ohm 1/4W Carbon	
R-24	560 K Ohm 1/4W Carbon	
R-13,33,60	330 K Ohm 1/4W Carbon	
R-25,26	220 K Ohm 1/4W Carbon	
R-27,45	150 K Ohm 1/4W Carbon	
R-162	120 K Ohm 1/4W Carbon	
R-2,11,29	100 K Ohm 1/4W Carbon	
R-16,47	56 K Ohm 1/4W Carbon	
R-22,36,38,65	47 K Ohm 1/4W Carbon	
R-9,50,80	33 K Ohm 1/4W Carbon	
R-6,113,119,156	27 K Ohm 1/4W Carbon	
R-19,69,84,91,94,97, 101,104,144,152	22 K Ohm 1/4W Carbon	
R-55,78	15 K Ohm 1/4W Carbon	
R-28,31,44,51,58,59,64, 90,93,96,121,128,134, 137,163,173	10 K Ohm 1/4W Carbon	
R-49	8.2 K Ohm 1/4W Carbon	
R-8,99,138	6.8 K Ohm 1/4W Carbon	
R-5,18,52,66,70,79,100, 109,112,120,151,157	5.6 K Ohm 1/4W Carbon	
R-74,116,133,153,160	4.7 K Ohm 1/4W Carbon	
R-30,46,54,82,83,87,103 108,114,154,158	3.3 K Ohm 1/4W Carbon	
R-4	2.7 K Ohm 1/4W Carbon	
R-14,52	2.2 K Ohm 1/4W Carbon	
R-37,39,40,41,42,43	1.5 K Ohm 1/4W Carbon	
R-125	1.2 K Ohm 1/4W Carbon	
R-7,10,15,20,34,67,71, 81,88,89,92,95,102, 110,149,155	1 K Ohm 1/4W Carbon	
R-75,76,86,105,117,122	470 Ohm 1/4W Carbon	
R-129	39 K Ohm 1/4W Carbon	
R-146	270 Ohm 1/4W Carbon	
R-12,17,21,35,62,68,72, 85,111,115,130,145, 159,171,172,118	220 Ohm 1/4W Carbon	
R-126	180 Ohm 1/4W Carbon	
R-63	150 Ohm 1/4W Carbon	
R-3,32,56,57,61,135, 136,150,161	100 Ohm 1/4W Carbon	

REPLACEMENT PARTS

RESISTORS

SYMBOL	DESCRIPTION	PART NUMBER
R-148	68 Ohm 1/4W Carbon	
R-48,123	47 Ohm 1/4W Carbon	
R-131	33 Ohm 1/4W Carbon	
R-127	2.2 Ohm 1/4W Carbon	
R-124	0.5 Ohm 1/4W Carbon	
R-139	10 K Ohm 1/4W Carbon R	
R-98,170	470 Ohm 1/4W Carbon R	
R-106,107,166,167	330 Ohm 1/4W Carbon R	
R-169	220 Ohm 1/4W Carbon R	
R-168	1 K Ohm 1/4W Carbon R	
R-77,164,165	56 Ohm 1/2W Carbon	
R-140,141	220 Ohm 1/2W Carbon	
R-147	1 Ohm 1W Metal	
R-142,143	10 Ohm 3W Metal	

VARIABLE RESISTORS

SYMBOL	DESCRIPTION	PART NUMBER
VR-1	KVSF10-5BM 100 K Ohm B, Semi-fixed	
VR-2	KVSF10-6BM 500 K Ohm B, Semi-fixed	
VR-3	KVSF10-6BM 200 K Ohm B, Semi-fixed	
VR-4,18/S-6-1.2	DJ11A-SF21-10 K A/100 K B, Variable	
VR-8,13	EVFBOARD01B14-10 K B X 2, Variable	
VR-5,16	KVSF10-6BM 30 K Ohm B, Semi-fixed	
VR-6	KVSF10-6BM 5 K Ohm B, Semi-fixed	
VR-7,9	KVSF10-6BM 10 K Ohm B, Semi-fixed	
VR-10	EVS-PIAAOOE12 100 Ohm B, Solid Volume	
VR-12	KVSF10-5BM 5 K Ohm B, Semi-fixed	
VR-11,14	KVSF10-6BM 100 K Ohm B, Semi-fixed	

REPLACEMENT PARTS

VARIABLE RESISTORS

SYMBOL	DESCRIPTION	PART NUMBER
VR-15	KVSF10-6BM 200 Ohm B, Semi-fixed	
VR-17	KVSF10-6BM 20 K Ohm B, Semi-fixed	
VR-19	KVSF10-5BM 200 Ohm B, Semi-fixed	

CRYSTALS

SYMBOL	DESCRIPTION	PART NUMBER
X-1	7.3435 MHz. HC-25/U	
X-2	11.805 MHz. HC-25/U	
X-3	11.855 MHz. HC-25/U	
X-4	11.905 MHz. HC-25/U	
X-5	11.955 MHz. HC-25/U	
X-6	12.005 MHz. HC-25/U	
X-7	12.055 MHz. HC-25/U	
X-8	7.3615 MHz. HC-25/U	
X-9	7.3715 MHz. HC-25/U	
X-10	7.3815 MHz. HC-25/U	
X-11	7.4015 MHz. HC-25/U	
X-12	7.3585 MHz. HC-25/U	
X-13	7.3685 MHz. HC-25/U	
X-14	7.3785 MHz. HC-25/U	
X-15	7.3985 MHz. HC-25/U	
X-16	7.7985 MHz. HC-25/U	
X-17	7.8015 MHz. HC-25/U	

SWITCHES

SYMBOL	DESCRIPTION	PART NUMBER
S-1-1 ~4	AE3344 Relay	
S-2	SL-2-2-2-14 Slide Switch	
S-3	IFS-2U-11-1 Push Switch (blanker)	
S-4-1 ~8	S15-393 2-8-3 Rotary Switch (mode)	
S-7-1 ~3	R7ONO831B Rotary Switch (channel)	
S-8-1 ~4	IFS-4U-7 Push Switch (PA selector)	

REPLACEMENT PARTS

MISCELLANEOUS

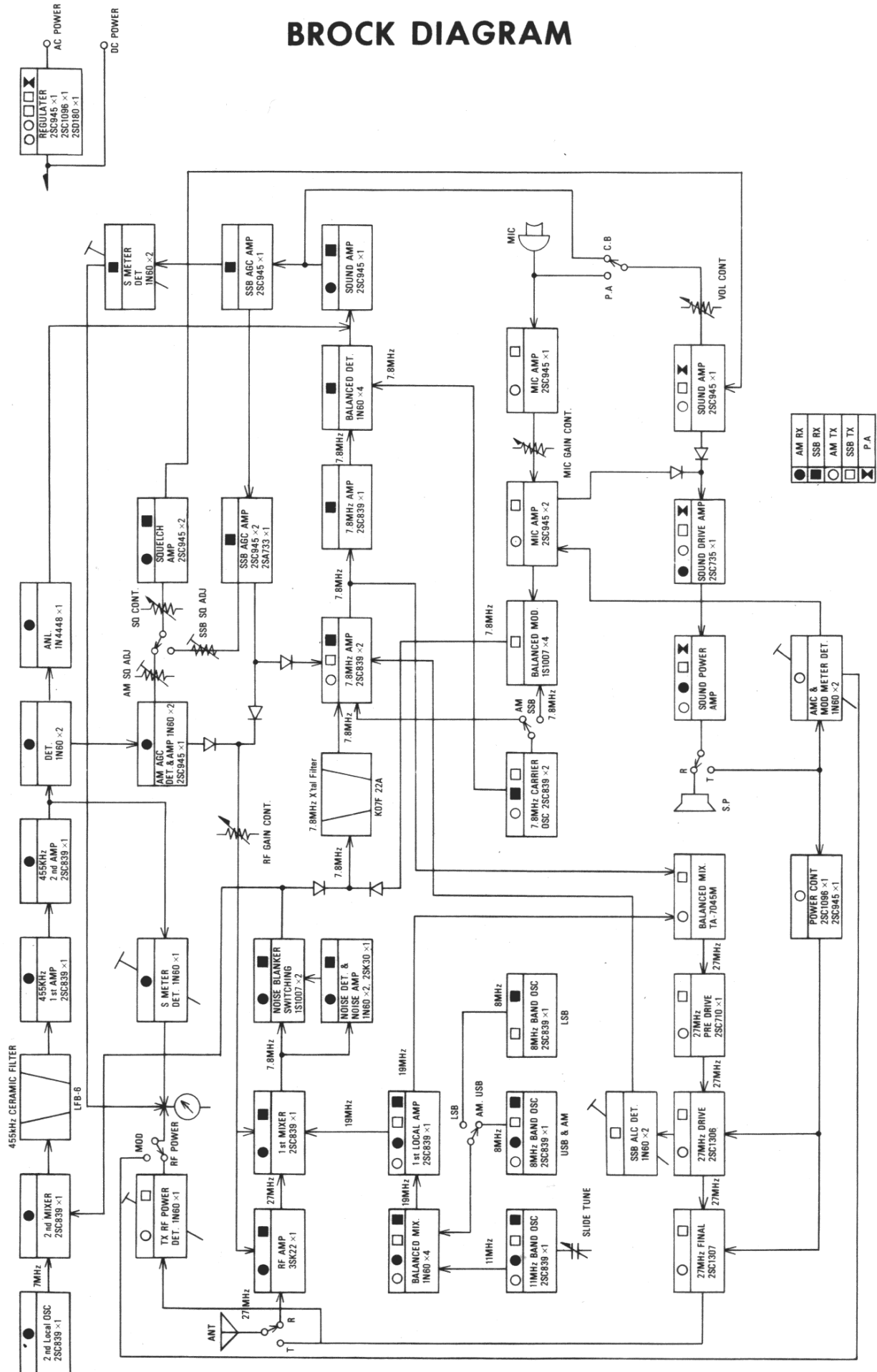
SYMBOL	DESCRIPTION	PART NUMBER
PL-1	Pilot Lamp 14 V 50 mA (yellow)	
PL-2	Pilot Lamp 14 V 50 mA (red)	
PL-3	Pilot Lamp 14 V 50 mA (blank)	
F-1	LFB-6 Ceramic Filter	
F-2	KO7F22A Crystal Filter	
TH	TD5-C246 Thermistor	
M	A-49 Meter	
VC	MTS-50F-20A Air-varicon	
CT-1 ~17	ECV-1ZW20P-32 Ceramic Trimmer	
SPK	9P10S Speaker 8 Ohm 1W	
ANT	M-R type Antenna Connector	
J-1	LJ-035 Headphone Jack	
J-2	SJ-296 Speaker Jack (external)	
J-3	3-P Microphone Jack	
J-5	SJ-296 Speaker Jack (PA)	
J-4	MD-60 DC Power Jack	
	SD-0105 Crystal Socket	
	RF-104 Fuse Holder (DC fuse)	
	AH-710 Fuse Holder (AC fuse)	
MIKE	22-115-31 Microphone	
	Fuse 1-Amp. (AC)	
	Fuse 2-Amp. (DC)	
	3-P Microphone Plug	
	PC-211 DC Power Plug	
	AC Power Cord w/Plug (UL approved)	
TP-1 ~7	A4100-051 Test Terminal	
	Printed Circuit Board 123E-100-00	
	Printed Circuit Board 123E-200-00	
	Printed Circuit Board P-3001 A	
	M1-01970 Front Panel	
	M1-02140 Metal Chassis Complete	
	M1-02141 Metal Cabinet (top)	
	M3-02142 Bottom Plate	
	M3-02149 Heat-sink (A)	
	M4-02150 Heat-sink (B)	
	M4-01385 Bracket for Switch	
	M3-01375 Mounting Bracket (Right)	
	M3-01376 Mounting Bracket (Left)	
	M4-01299 Bracket for Transformer	
	M4-02073 Shield Board (0.5 t)	

REPLACEMENT PARTS

MISCELLANEOUS

SYMBOL	DESCRIPTION	PART NUMBER
	M4-00627 Channel Knob (A) ABS	
	M4-02146 Squelch Knob	
	M4-02147 Volume Knob	
	M4-02148 Slide-O-Tune Knob	
	M4-00176 Delta Tune Knob	
	M4-00598 Power Switch Knob	
	M4-00628 Channel Knob (B) Acryl	
	M4-00630 Channel Dial	
	M3-02143 Control Plate (hairline)	
	M4-02145 Control Plate (black)	
	M3-02144 Brand Plate	
	M4-02158 FCC Plate	
	M4-00142 Microphone Plate	
	Instruction Booklet	
	Warranty Card w/envelop	
	FCC Application Card	
	Display Box	
	Styrofoam Box	

BROCK DIAGRAM



FACTORY WARRANTY POLICY

This electronic equipment, manufactured by Pearce-Simpson, Inc., is warranted in accordance with the following terms and conditions —

A. PEARCE-SIMPSON, INC. WILL:

Replace any defective part of this equipment during the 90 day period following purchase.

Repair, at our factory, without charge, this equipment, if a defect develops during the first 90 days following purchase. (This repair service is free only at the factory. No reimbursements can be made for non-factory repair charges.)

B. THE PURCHASER WILL:

Return the warranty registration card within 10 days of purchase.

Pay all transportation charges involved when equipment is returned for factory repair, provide information regarding nature of failure, and accept freight collect shipment of repaired equipment.

The above is void if equipment is modified or repaired without authorization, subjected to misuse, abuse, accident, water damage or other neglect, or has its serial number defaced or removed, or if more than 9 months has elapsed since factory shipment date to dealer.

No obligation is assumed by Pearce-Simpson, Inc., to update previously manufactured equipment.

This warranty is in lieu of all other warranties expressed or implied and no representative or person is authorized to assume for us any other liability in connection with the sale of our products:

PEARCE-SIMPSON
DIVISION OF **GLADDING** CORP.

PEARCE-SIMPSON
DIVISION OF **GLADDING** CORP.
P.O. BOX 800 BISCAYNE ANNEX MIAMI, FLORIDA 33152

Other Gladding Outdoor Recreation Products Include: Gladding-Hedlund Water Skis; Gladding-Kalamazoo Sleds; Del-Rey Campers and Recreational Vehicles; Gladding-Ranger Sleeping Bags, Bowling, School, Club and Utility Bags; Gladding-South Bend Fishing Tackle; H-I Fishing Tackle; Gladding-Fishing Lines; Gladding-Marine Ropes and Cords; Pearce-Simpson Marine Communications Equipment; Del-Rey Campers and Travel Trailers; Omega Motor Homes and Travel Trailers; Aqua-Float Life Vests, Life Belts and Ring Buoys; Claricon Home Stereo Sets; Carter Sportswear and Outer Clothing.