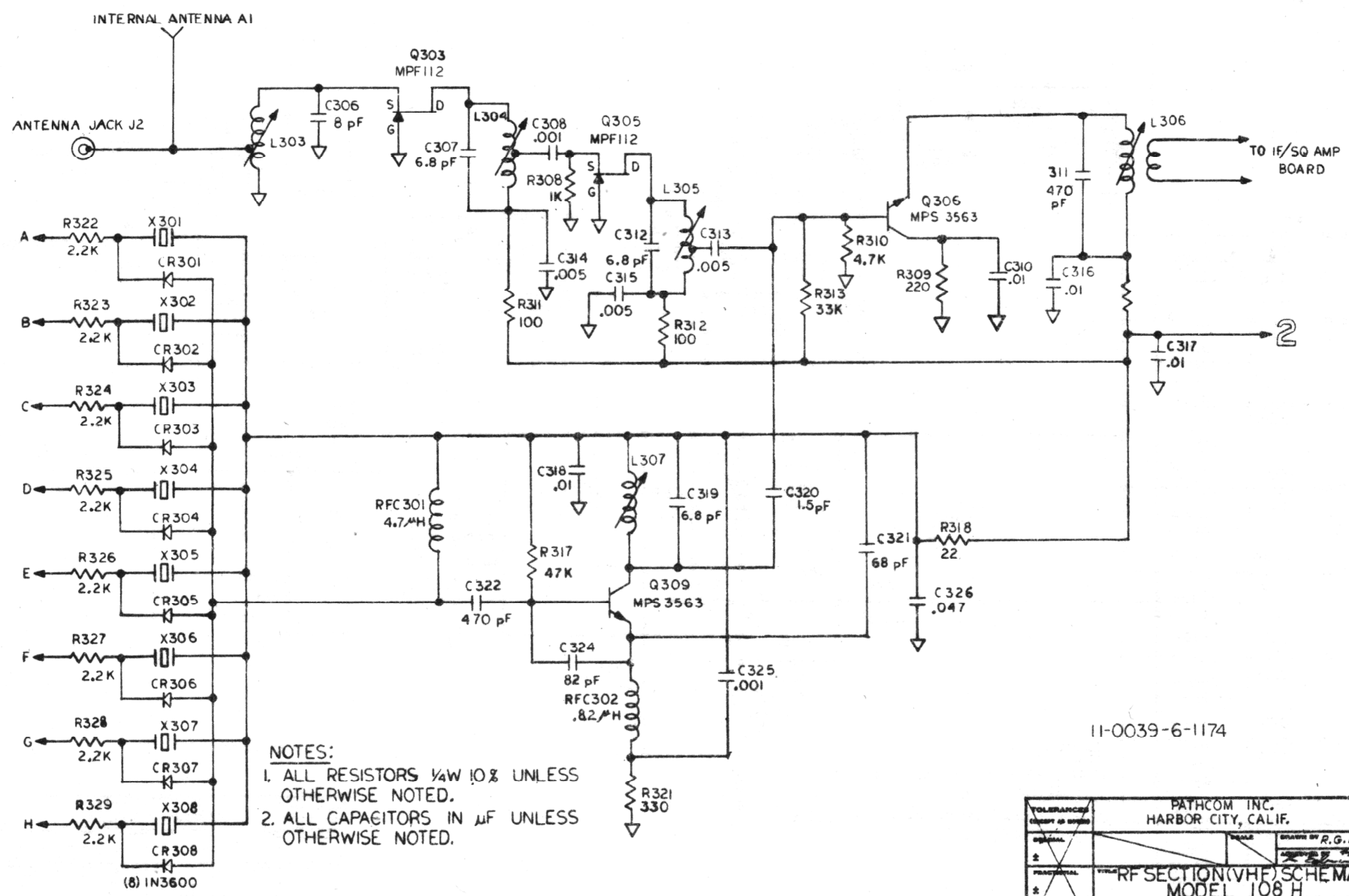


DATE	BY	REVISION	REASON	AUTH	DR	CR
1/77	A	CHG	R317 100K			



11-0039-6-1174

TOLERANCES UNLESS OTHERWISE SPECIFIED		PATHCOM INC. HARBOR CITY, CALIF.	
RESISTORS	1%	SCALE	DRAWN BY R.G. NEILL
CAPACITORS	5%	DATE	APPROVED BY [Signature]
TITLE: RF SECTION (VHF) SCHEMATIC MODEL 108 H		DATE	DRAWING NUMBER
		29 MAR 72	11-0039-6A

Figure 6-10. VHF/RF Circuit for SCAN 108H