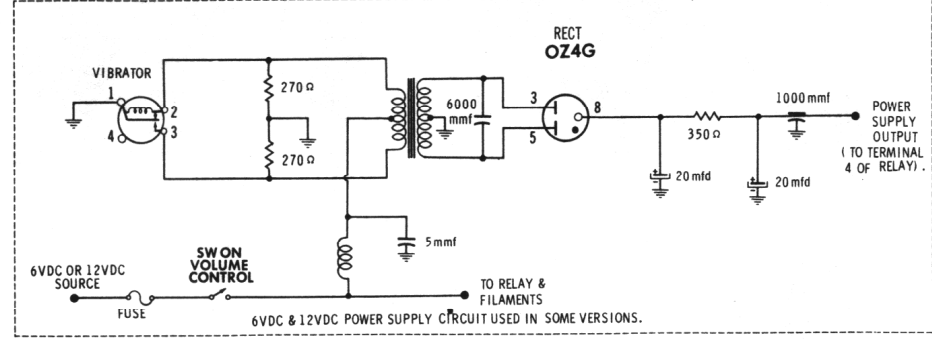
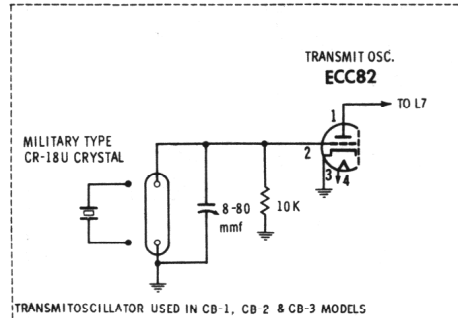
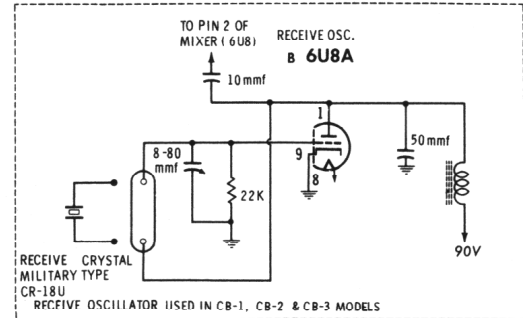


RESISTANCE READINGS

ITEM	TUBE	Pin 1	Pin 2	Pin 3	Pin 4	Pin 5	Pin 6	Pin 7	Pin 8	Pin 9
V1	12BA6	2.4 meg	0 Ω	.1 Ω	0 Ω	†250 Ω	†15K	●100 Ω	0 Ω	22K
V2	6U8A	†15K	2.2 meg	†15K	0 Ω	.1 Ω	†270 Ω	0 Ω	0 Ω	22K
V3	12BA6	2.4 meg	0 Ω	.1 Ω	0 Ω	†270 Ω	†15K	●310 Ω	0 Ω	
V4	12AL5	0 Ω	100K	.1 Ω	0 Ω	2.2 meg	0 Ω	240K	0 Ω	
V5	ECC83 12AX7	†220K	470K	1500 Ω	.1 Ω	0 Ω	†470K	1.4 meg	200 Ω	0 Ω
V6	12AU6	●10 meg	45K	.1 Ω	0 Ω	†330K	†40K	45K	0 Ω	
V7	12AQ5	470K	370 Ω	.1 Ω	0 Ω	†545 Ω	†250 Ω	470K	0 Ω	
V8	6AQ5A	250 Ω	370 Ω	.1 Ω	.1 Ω	†690 Ω	†250 Ω	NC	0 Ω	
V9	ECC82 12AU7	†82K	10K	0 Ω	.1 Ω	0 Ω	†250 Ω	47K	0 Ω	NC
V10	12AQ5	23K	0 Ω	.1 Ω	0 Ω	†470 Ω	†22K	NC	0 Ω	
V11	5Y3GT	NC	†100K	NC	97 Ω	NC	95 Ω	NC	†100K	

ALL MEASUREMENTS MADE IN "RECEIVE" POSITION WITH MICROPHONE DISCONNECTED UNLESS OTHERWISE DESIGNATED.

- THIS READING WILL VARY. CONTROL SET FOR NORMAL OPERATION.
- † THIS READING WILL VARY DEPENDING UPON THE CONDITION OF THE ELECTROLYTIC IN THE CIRCUIT.
- MEASURED IN "TRANSMIT" POSITION WITH MICROPHONE DISCONNECTED.
- ▲ MEASURED FROM PIN 7 OF V6.
- † MEASURED FROM PIN 2 OF V11.
- NC NO CONNECTION



- DC voltage measurements taken with vacuum tube voltmeter; AC voltages measured with 1000 ohm per volt voltmeter.
- Socket connections are shown as bottom views.
- Measured values are from socket pin to common ground.
- Line voltage maintained at 117 volts for voltage readings.
- Nominal tolerance of component values makes possible a variation of ±15% in voltage and resistance readings.
- All controls at minimum, proper output load connected.

NUMBERS ASSIGNED TO COILS, SWITCHES, PLUGS, SOCKETS, AND TRANSFORMERS ARE TO FACILITATE CIRCUIT TRACING OR COMPONENT REPLACEMENT AND MAY NOT NECESSARILY BE FOUND ON THE UNIT.

MORROW MODELS CB-1, -2, -3, 5W1-6, -12, -117, 5W3-6, -12, -117