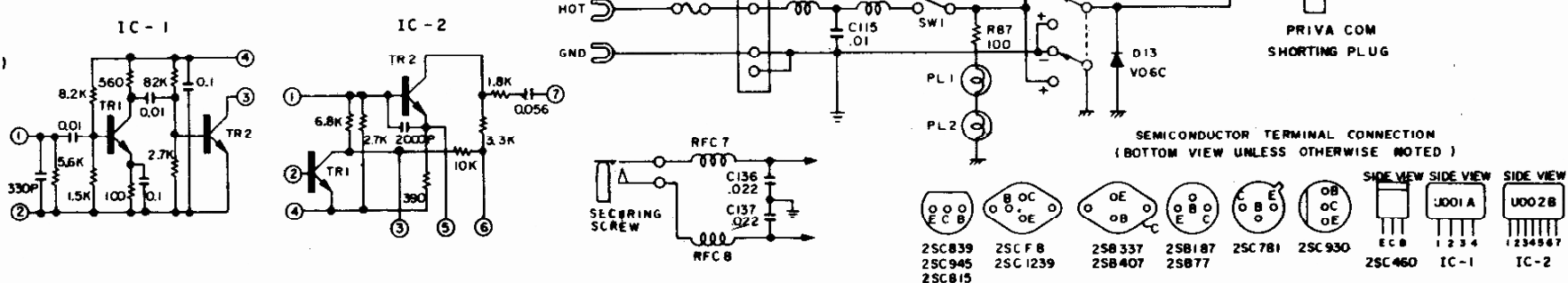


- * All measurements are D.C. and obtained with NO SIGNAL INPUT and volume controls at extreme minimum position.
- * All measurements obtained using Tester (Impedance: Higher than 20,000 ohms)
- * All measurements are relative to chassis ground.
- * All unmarked polarity measurements are positive to chassis ground.
- * If measurements obtained are in excess of plus/minus 20 percent of values shown then reason for difference should be corrected.
- * Δ VOLTAGE DURING TRANSMIT * VARIABLE
- * This schematic applicable to units bearing serial NO.085-505-1501 on higher.



Scan by Luciano Sturaro - PY2BBS - sturaro@mailbr.com.br

LAFAYETTE - HB-625 A

E: EMITTER
C: COLLECTOR
B: BASE