

This Manual is provided by
CBTricks.com

Someone who wanted to help you repair your equipment
scanned this manual.

If you would like to help us put more manuals online support us.

Supporters of CBTricks.com paid for the hosting so you would have this file.

CBTricks.com is a non-commercial personal website was created to help promote the exchange of service, modification, technically oriented information, and historical information aimed at the Citizens Band, GMRS (CB "A" Band), MURS, Amateur Radios and RF Amps.

CBTricks.com is not sponsored by or connected to any Retailer, Radio, Antenna Manufacturer or Amp Manufacturer, or affiliated with any site links shown in the links database. The use of product or company names on my web site is not endorsement of that product or company.

If your company would like to provide technical information to be featured on this site I will put up on the site as long as I can do it in a non-commercial way.

The site is supported with donation from users, friends and selling of the Galaxy Service Manual CD to cover some of the costs of having this website on the Internet instead of relying on banner ads, pop-up ads, commercial links, etc. to pay my costs. Thus I do not accept advertising banners or pop-up/pop-under advertising or other marketing/sales links or gimmicks on my website.

ALL the money from donations is used for CBTricks.com I didn't do all the work to make money (I have a day job). I all didn't do all this work for someone else to make money also, for example the ebay CD sellers.

All Trademarks, Logos, and Brand Names are the property of their respective owners.
This information is not provided by, or affiliated in any way with any radio or antenna Manufacturers.
Thank you for any support you can give.

*hy-range IV*
by *hy-gain*

MODEL 673B
CITIZENS TWO-WAY RADIO
base station

Manufactured and Distributed by
Hy-Gain de Puerto Rico, Inc.
P.O. Box 68 State Hwy 31, Km. 4.0
Naguabo, Puerto Rico 00718

EO-0673-A-004



Table of Contents

	page
CHAPTER 1 — GENERAL INFORMATION	1
Introduction	1
Warranty Service Department	1
How to Ship Returns	1
Purchase of Parts	2
Specifications	2
CHAPTER 2 — THEORY OF OPERATION	3
General	3
Crystal Matrix Frequency Synthesizer	3
Receiver	3
Transceiver	5
Power Supply	5
CHAPTER 3 — ALIGNMENT	7
General	7
Notes on Methods	7
Tools and Equipment	7
To Rewire the Power Transformer for 240 VAC	8
Setting the Power Supply Output Voltage	9
Receiver Alignment Procedures	9
Sensitivity Adjustment	9
Tight Squelch Adjustment	10
S Meter Adjustment	10
Transmitter Alignment Procedure	13
Setting the Frequency of the 23 MHz Oscillator	13
Output Frequency Check and Adjustments	13
RF Output Adjustment	15
Modulation Adjustment	16
Spurious Frequency Check	17
Meter Adjustment, Power Scale	17
Main P.C. Board	19
Power Supply P.C. Board	31
Crystal P.C. Board	39
Chassis-Mounted Components, Mechanical Parts, and Accessory Parts	45

LIST OF ILLUSTRATIONS

Figure		page
2-1	Block Diagram	foldout
3-1	Rewiring Power Transformer for 240 VAC	8
3-2	Power Supply Adjustment	9
3-3	Components to be Adjusted for Complete Receiver Alignment	11
3-4	Components to be Adjusted for Complete Transmitter Alignment.....	12
3-5	Main P.C. Board, Component Outline	21
3-6	Main P.C. Board, Voltage Callouts	23
3-7	Power Supply P.C. Board, Component Outline	33
3-8	Power Supply P.C. Board, Voltage Callouts	35
3-9	Crystal P.C. Board, Component Outline	41
3-10	Schematic Diagram	foldout

CHAPTER 1 — GENERAL INFORMATION

Introduction

This service manual contains all the information needed to service and repair the Hy-Gain, Hy-Range IV (Model 673B) transceiver. It does not cover models 673 and 673A; they are covered in a separate manual. This manual includes an explanation of the theory of operation and alignment procedures. Revision, addendum, and errata sheets will be published as needed. Insert them as required in the manual.

The Hy-Range IV is a full 23-channel transceiver designed and type accepted for Class D Citizens Radio Service, as designated by the Federal Communications Commission (FCC).

It is a completely solid-state base station, highly reliable with low power consumption. Its crystal matrix frequency synthesizer provides immediate operating on all 23 channels. Its features includes a fine tune control, a switchable automatic noise limiter (ANL), an rf gain control, and an output jack for the optional telephone-style handset. Use the unit with standard household power (either 120 VAC, or 240 VAC with minor wiring).

Warranty Service Department

For help with technical problems, for parts information, and information on local and factory repair facilities, contact the National Service Manager. When you write, please include all pertinent information that may be helpful in solving your problem. Address your letter to:

Hy-Gain Warranty Service Department
4900 Superior Avenue
Lincoln, Nebraska 68504
attn: National Service Manager

The Warranty Service Department can repair any unit. But before you ship a unit to us, contact the National Service Manager first. Often a problem is field solvable with just a little extra help. This can save you lost time and shipping costs. Factory returns should be limited to the difficult problems.

To return a unit, get a return authorization first. This is important. You will only delay the handling of your unit if you ship without it. If you must ship immediately, telephone or telex the National Service Manager to have him expedite the matter.

When you request return authorization, you may also request notification of completion of repairs. The notification will include a copy of the bill. If you pay the bill before we return your unit, you can save yourself the cost of a COD fee.

Units with unauthorized field modifications cannot be accepted for repair.

How to Ship Returns

For warranty repair, prepare a letter in duplicate containing the following information (for out-of-warranty repair, delete items 2 and 3):

1. your name and address
2. purchaser's name and address
3. proof of purchase
4. serial number
5. a complete description of the problem
6. the return authorization

Then check the unit to see that all parts and screws are in place, and attach an envelope containing a copy of your letter directly to it so that we do not overlook this important

information. Wrap the unit and envelope in heavy paper or put them in a plastic bag. If the original carton is not available, place the unit in a strong carton that is at least six inches larger in all three dimensions than the unit. Fill the carton equally around the unit with resilient packing material (shredded paper, excelsior, bubble pack, etc.). Seal it with gummed paper tape, tie it with a strong cord, and ship it by prepaid express, United Parcel Service, or insured parcel post to the address given previously. Mail the original of the letter in a second envelope to that same address.

It is very important that the shipment be well-packed and fully insured. Damage claims must be settled between you and the carrier and this can delay repair and return of the unit to you.

All shipments to us must be sent PREPAID. We **do not accept** collect shipments. After the unit has been repaired, we will send the repaired unit back to you COD unless you have prepaid the bill. Unclaimed or refused COD shipments will not be reshipped until payment in full is received. Otherwise, these items become the property of Hy-Gain 60 days after refusal or return and will be sold for payment of charges due.

Purchase of Parts

If you need a part not stocked at your Hy-Gain Service Center, it can be purchased from the Warranty Service Department. When ordering, please supply the following information:

1. model number of the unit
2. serial number of the unit
3. description of the part
4. part number

Specifications

General

Channels	all 23 channels in the Citizens Band (26.965 MHz - 27.255 MHz)
Antenna impedance	50 ohms, nominal
Dimensions (HWD)	4-7/16" x 12 1/4" x 10 5/8"
Net weight	10 lbs. 0 oz.
Shipping weight	11 lbs. 14 oz.
Power requirement	120 VAC, 50/60 Hz, or 240 VAC, 50/60 Hz with modification
Compliance	Type Accepted under FCC Rules, Part 95 Type Approved, under DOC RSS-136 (Canada)

Receiver section

Circuitry	dual conversion superheterodyne with rf amplifier stage and 455 kHz ceramic filter
Sensitivity	0.7 μ V for 10 dB (S + N)/N ratio
Intermediate frequencies	1st IF — 11.275 MHz 2nd IF — 455 kHz
Audio output	3 watts, maximum
Current drain, receive	about 14 VA (no signal)

Transmitter section

RF power output	4 watts
Emission	AM, type 8A3
Spurious response rejection	all harmonic and spurious suppression better than FCC and DOC requirements
Modulation	AM, 90% typical
Current drain, transmit	less than 45 watts

CHAPTER 2 — THEORY OF OPERATION

General

The theory of operation of the Hy-Range IV is divided into four sections: the Crystal Matrix Frequency Synthesizer, the Receiver, the Transmitter, and the Power Supply. The material presented here covers the functioning of the transceiver with a minimum of technical involvement. Although it is intended to be informative, we have not attempted to explain the engineering techniques and approaches that arrived at these circuit designs.

Crystal Matrix Frequency Synthesizer

The Crystal Matrix Frequency Synthesizer is an heterodyne oscillator that generates synthesizer frequencies for use in both the transmitter and receiver sections. Its output determines the channel on which the transceiver is operating.

The output of the synthesizer is determined by the particular pair of crystals from the crystal matrix that are selected by the channel selector switch, S2. This switch is set-up so that S2b switches to the next crystal each step, while S2a switches to the next crystal every fourth step. There are twenty-four pairs possible from this. However, the twenty-fourth position of the switch, located between channels 22 and 23 is blank.

The outputs of the 23 MHz Oscillator, Q1, and of the 14 MHz Oscillator, Q3, are applied to the Synthesizer Mixer, Q2, to produce the 23 required synthesizer frequencies. Mathematically, this is expressed in the following formula:

$$f_s = f_{s01} + f_{s02}$$

where: f_s = synthesizer frequency, in MHz
 f_{s01} = first synthesizer oscillator frequency, in MHz
 f_{s02} = second synthesizer oscillator frequency, in MHz

example:

given that — $f_{s01} = 23.290 \text{ MHz (X1)}$
 $f_{s02} = 14.950 \text{ MHz (X7)}$

$$f_s = 23.290 + 14.950$$

$$f_s = 38.240 \text{ MHz}$$

This is the channel frequency for Channel 1.

The synthesizer frequency from the Synthesizer Mixer is applied to both the Transmit Mixer and the First Receive Mixer.

Receiver

The receiver is a dual-conversion superheterodyne, receiving AM signals from 26.965 MHz to 27.255 MHz. The operating channel is determined by the crystal matrix frequency synthesizer, which provides the first local oscillator frequency. A variable squelch circuit is included to quiet the receiver between transmissions.

In the receive mode, 13.8 VDC is supplied to IC1, Q12, Q13, Q14, Q15, and to Q10 (the AVR). The AVR supplies regulated voltage to the synthesizer stages, Q1, Q2, and Q3, and to the Second Local Oscillator, Q16. A bias voltage is also applied to the base of the Transmit Switch, Q11. This bias holds the Transmit Switch open, so that the transceiver circuits remain in receive.

AM signals are received by the antenna and enter the radio at the antenna jack. The π -filter formed by L8, L9, C33, and C1 of the rear panel acts to match the antenna

impedance to the RF Amplifier, Q12. Signals in the 26.965 MHz - 27.255 MHz range are filtered out and amplified by the RF Amplifier and the tank circuit of C37/L10 that precedes it.

The output of the RF Amplifier and of the synthesizer frequency, which in this case could be called the "first local oscillator," from the Synthesizer Mixer are applied to the First Receive Mixer, Q13.

This first set of two signals is mixed in the First Receive Mixer for an output of 11.275 MHz, which is the first i-f. Mathematically, this is expressed in the following formula:

$$f_{IF1} = f_S - f_R$$

where: f_{IF1} = first i-f, (11.275 MHz)
 f_R = receive frequency, in MHz
 f_S = synthesizer frequency, in MHz

The first i-f passes through the i-f tuned circuit of L12 and L13. This circuit helps obtain the desired selectivity. The first i-f is then applied to the Second Receive Mixer, D11, along with the output of the Second Local Oscillator, Q16 with X12. The second local oscillator frequency is 11.730 MHz.

These two signals are mixed in the Second Receive Mixer for an output of 455 kHz, which is the second i-f. Mathematically, this is expressed in the following formula:

$$f_{IF2} = f_{LO2} - f_{IF1}$$

where: f_{IF2} = second i-f, (455 kHz)
 f_{LO2} = second local oscillator frequency, in MHz
 f_{IF1} = first i-f, (11.275 MHz)

or

$$\begin{aligned} f_{IF2} &= 11.730 - 11.275 \\ &= .455 \text{ MHz} \\ &= 455 \text{ kHz} \end{aligned}$$

The second i-f is fed to the Ceramic Filter, CF. It is then amplified by Q14 and Q15. They are the Second IF, First Stage and Second Stage Amplifiers, respectively. The amplified signal is then fed to the Detector, D8. (D5 is a signal overload protector.) The Detector recovers the audio from the modulation signal to yield an af output. The output is applied to the Automatic Noise Limiter (ANL), D6, and the Squelch Switch, Q19.

The squelch functions in the following manner. In the receive mode, a bias voltage from Q10 is applied to the base of Q19, as determined by VR2. In the absence of a signal, the base of Q19 is positive biased and it turns on. This biases the squelch transistor inside IC1, which turns off the Audio Amplifier and results in squelching of the receiver.

The output of the ANL goes through the volume control, VR1, and is RC-coupled to pin 6 of the Audio Amplifier, IC1. The amplified af output from pin 10 goes through the audio transformer, T1, to be applied to the speaker jacks and the speaker.

Transmitter

The operating channel is determined by the crystal matrix frequency synthesizer. The synthesizer frequency is heterodyned with the offset oscillator frequency to yield the transmit frequency. The frequency is then amplified by a three-stage power amplifier.

In the transmit mode, the base of the Transmit Switch, Q11, is grounded via the PTT switch. Q11 is then not biased, and therefore closed. Regulated voltage from the Automatic Voltage Regulator (AVR), Q10, is then supplied through Q11 to Q4, Q5, Q6, and Q7. Although 13.8 VDC is applied to the RF Power Amplifier at all times, the amplifier is a class C amplifier; and therefore, it will conduct only when rf is applied to the bases of Q8 and Q9. Thus, under these conditions, all transceiver circuits are in transmit.

The synthesizer frequency is applied to the Transmit Mixer, Q5, along with the 11.275MHz output of the Offset Oscillator, Q4 with X11. The synthesizer frequency is determined by the channel selector switch, S2, as explained in the synthesizer section of the discussion. These two frequencies are mixed to yield the transmit frequency. Mathematically, this is expressed in the following formula:

$$f_T = f_s - f_o$$

where: f_T = transmit frequency, in MHz
 f_s = synthesizer frequency, in MHz
 f_o = offset oscillator frequency, in MHz

The transmit frequency from this mixer passes through the filter circuit of L4 and L5 and is then applied to the Pre-drivers, Q6 and Q7. The filter circuit removes part of the undesirable spurious signals from the transmit frequency.

The Pre-drivers of Q6 and Q7 and the Driver, Q8, form two stages of voltage amplification leading to the final stage. The filter circuit of L6 follows Q6, and L7 follows Q7. These two circuits filter out the rest of the undesirable spurious signals to be removed from the transmit frequency.

From the Driver, the signal is applied to the third stage of amplification, the RF Power Amplifier, Q9. This is a current amplifier that raises the transmit signal to an output of four watts. Its output is applied to the π -filter of L8, L9, C1 of the rear panel, and C3, and then to the antenna jack. The π -filter constitutes an antenna impedance-matching circuit.

The transmit signal is modulated in the following manner. Microphone output is applied to pin 6 of the Audio Amplifier. The resulting af is applied to the collectors of Q8 and Q9 through the secondary coil of the audio output transformer, T1.

Control voltages for the Transmit Audio ALC, Q17, and the Range Boost, Q18, are obtained from detector diode D10. The Transmit Audio ALC boosts, or lowers, the amplifier gain in response to line voltage fluctuations. This insures full modulation of the carrier despite any changes in line voltage. The Range Boost rolls off af peaks so that a higher average af level is supplied to the Audio Amplifier. This achieves the high average modulation desired at the output of Q9 without an attendant overmodulation of the peaks.

Power Supply

This is a series-regulated power supply circuit employing a Darlington-connected pair of transistors as the pass element. The bridge rectifier of D1 - D4 supplies 22.1 VDC to the high-gain pass element of Q1 and Q3. Zener diode ZD2 provides a voltage reference for Q2. Q2 is in turn a current regulator for the pass element. Q2's base is biased by the output of Q3. This feedback loop enables the output voltage of Q3 to be held at a constant 13.8 VDC, when RV1 is set correctly.

CHAPTER 3 — ALIGNMENT

General

The following procedures must be followed in order to properly align the Hy-Range IV transceiver. Alignment should not be undertaken unless the technician has adequate test equipment and a full understanding of the circuitry of the transceiver.

IMPORTANT: Tuning adjustment of this transceiver "shall be made by or under the immediate supervision and responsibility of a person holding a first- or second-class commercial radio operator license," as stipulated in Part 95.97(b) of the FCC Rules and Regulations.

The procedures are divided into two main sections: Receiver Alignment, and Transmitter Alignment. Beginning each procedure is a list of equipment needed for that procedure. See *Tools and Equipment* below for a complete list of recommended equipment.

The test procedures assume that voltages are present at all points of the unit. If not, troubleshoot it before continuing.

Notes on Methods

The ferrite cores in the tuning coils are rather easily chipped or broken. Therefore, always use care when inserting an alignment tool in the tuning coil; insert it straight into the core.

If the unit being aligned has been converted for 240 VAC service, set your power supply for 240 VAC rather than the 120 VAC setting indicated at the beginning of each procedure.

It is a good practice to check, and re-adjust if necessary, the transceiver's internal power supply before beginning any of the rest of the procedures. This is outlined in "Setting the Power Supply Output Voltage" below.

WARNING

Circuits and components that carry high voltage with potentials sufficient to kill are exposed when the covers of this unit are removed. Use extreme care to avoid coming in contact with them when performing the following procedures.

Tools and Equipment

The following tools and equipment (or their equivalents or better) are recommended for use in aligning the Hy-Range IV (all instruments must be correctly calibrated):

- GC 8728-A — alignment tool
- GC 9304 — alignment tool
- GC 9440 — alignment tool
- Heathkit IP-5220 power supply
- Simpson 260 VOM
- Heathkit IM-28 VTVM with PK-3 RF probe
- Heathkit IB-1101 frequency counter
- Tektronix 465 oscilloscope
- Waters 334-A dummy load wattmeter
- Zodiac U-2 signal generator

To Rewire the Power Transformer for 240 VAC

The power transformer has dual primary windings to allow it to be converted for 240 VAC use. To make the change, the primary windings must be wired in series instead of parallel. The steps below are illustrated in Figure 3-1.

1. Turn the transceiver off and unplug the power cord. Remove the bottom cover.
2. Either remove and replace the power cord (per the "A" steps below), or remove and replace the power plug (per the "B" step below). It is preferable to replace the entire power cord.
 - A-1. Unsolder the two leads of the power cord from the terminal strip. Remove the strain bushing from the power cord and pull the old cord out of the chassis.
 - A-2. Feed an appropriate 240 VAC power cord through the rear panel and connect the two leads to the terminal strip. Do not resolder it yet. Install a new strain bushing on the power cord where it goes through the rear panel.
- or B. Cut the plug off the power cord and install an appropriate 240 VAC plug in its place.
3. Unsolder the blue wire from the rear terminal of the fuse holder and disconnect it. Leave the red wire soldered there.
4. Unsolder the white wire (of the orange and white pair of wires from the power transformer) from the terminal strip and disconnect it. Leave the other wires and the capacitor/resistor module lead soldered there.
5. Twist the ends of the blue and white wires together and solder them. Wrap the connection with electrician's tape.
6. Solder the connections at the terminals of the terminal strip (two wires at the first terminal and two wires plus the capacitor/resistor module lead at the other terminal). If step B was followed, be sure the solder connections of the terminal strip are good.
7. Replace the bottom cover.

EO-0673-A-006

EO-0673-A-007

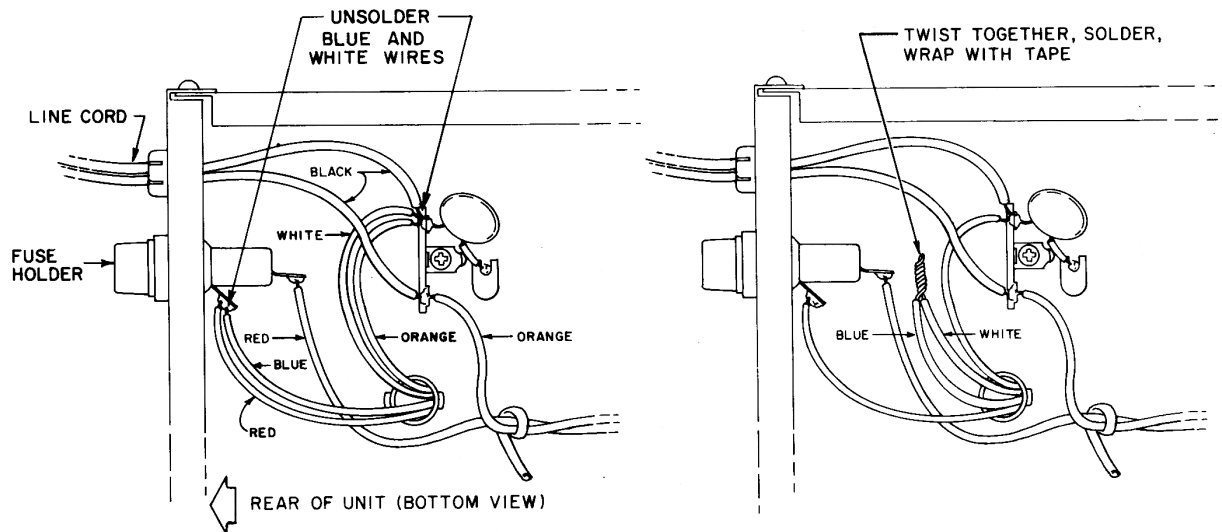
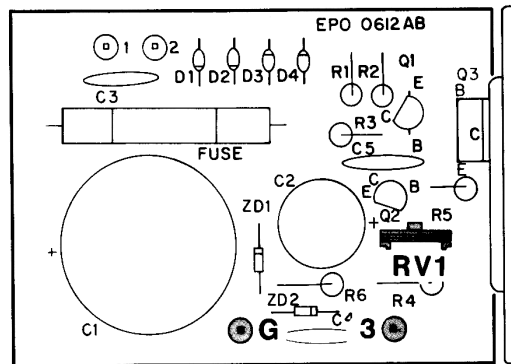


Figure 3-1. Rewiring Power Transformer for 240 VAC

Setting the Power Supply Output Voltage

test equipment needed:
Heathkit IP-5220 power supply
Simpson 260 VOM

1. Turn the transceiver off.
2. Adjust the output of the outside power supply for 120 VAC. Then plug the transceiver power cord into the power supply.
3. Turn the transceiver on.
4. Touch the probes of the VOM to pins 3 and G of the internal power supply board. Adjust RV1 of the board for a reading of 13.8 VDC. See below.
5. Turn the transceiver off and disconnect the test equipment.



EO-0673-A-008

Figure 3-2. Power Supply Adjustment

Receiver Alignment Procedures

Refer to Figure 3-3 for the location of receiver alignment procedure adjustment components.

Sensitivity Adjustment

test equipment needed:
Heathkit IP-5220 power supply
Zodiac U-2 signal generator

1. Turn the transceiver off.
2. Adjust the power supply output for 120 VAC. Then plug the transceiver power cord into it. Unplug the microphone from the transceiver.
3. Set the signal generator frequency for 27.115 MHz with 1 kHz, 30% modulation and the attenuator set at minimum. Then connect the generator to the transceiver antenna jack.
4. Turn the transceiver on. Set the channel selector on channel 13 (27.115 MHz).
5. Raise the signal generator attenuator output to at least 10 μ V (or as much as 100 μ V, if needed).

6. Adjust coils L10, L11, L12, L13, L14, L15, and L16 for maximum reading on the transceiver meter.

CAUTION

Reduce the output level of the signal generator as the receiver cans are peaked, if you begin adjustment with more than 10 μ V input, to prevent readings from exceeding full scale.

7. Repeat step 6 until no further improvement is obtained.
8. Turn the transceiver off, and disconnect the test equipment.

Tight Squelch Adjustment

test equipment needed:

Heathkit IP-5220 power supply
Zodiac U-2 signal generator

1. Turn the transceiver off.
2. Adjust the power supply output for 120 VAC. Then plug the transceiver power cord into it. Unplug the microphone from the transceiver.
3. Set the signal generator frequency for 27.115 MHz with 1 kHz, 30% modulation and the attenuator set at minimum. Then connect the generator to the antenna jack.
4. Turn the transceiver on. Set the channel selector on channel 13 (27.115 MHz). Set the squelch control on tight (fully clockwise).
5. Raise the signal generator attenuator output to 100 μ V.
6. Adjust RV1 so that tight squelch just breaks with the 100 μ V input.
7. Turn the transceiver off and disconnect the test equipment.

S Meter Adjustment

test equipment needed:

Heathkit IP-5220 power supply
Zodiac U-2 signal generator

1. Turn the receiver off.
2. Adjust the power supply output for 120 VAC. Then plug the transceiver power cord into it. Unplug the microphone from the transceiver.
3. Set the signal generator frequency for 27.115 MHz with 1 kHz, 30% modulation and the attenuator set at minimum. Then connect the generator to the antenna jack.
4. Turn the transceiver on. Set the channel selector on channel 13 (27.115 MHz).
5. Raise the signal generator attenuator output to 100 μ V.
6. Adjust RV3 for a meter reading of 9 on the upper scale.
7. Turn the transceiver off and disconnect the test equipment. This completes the receiver alignment.

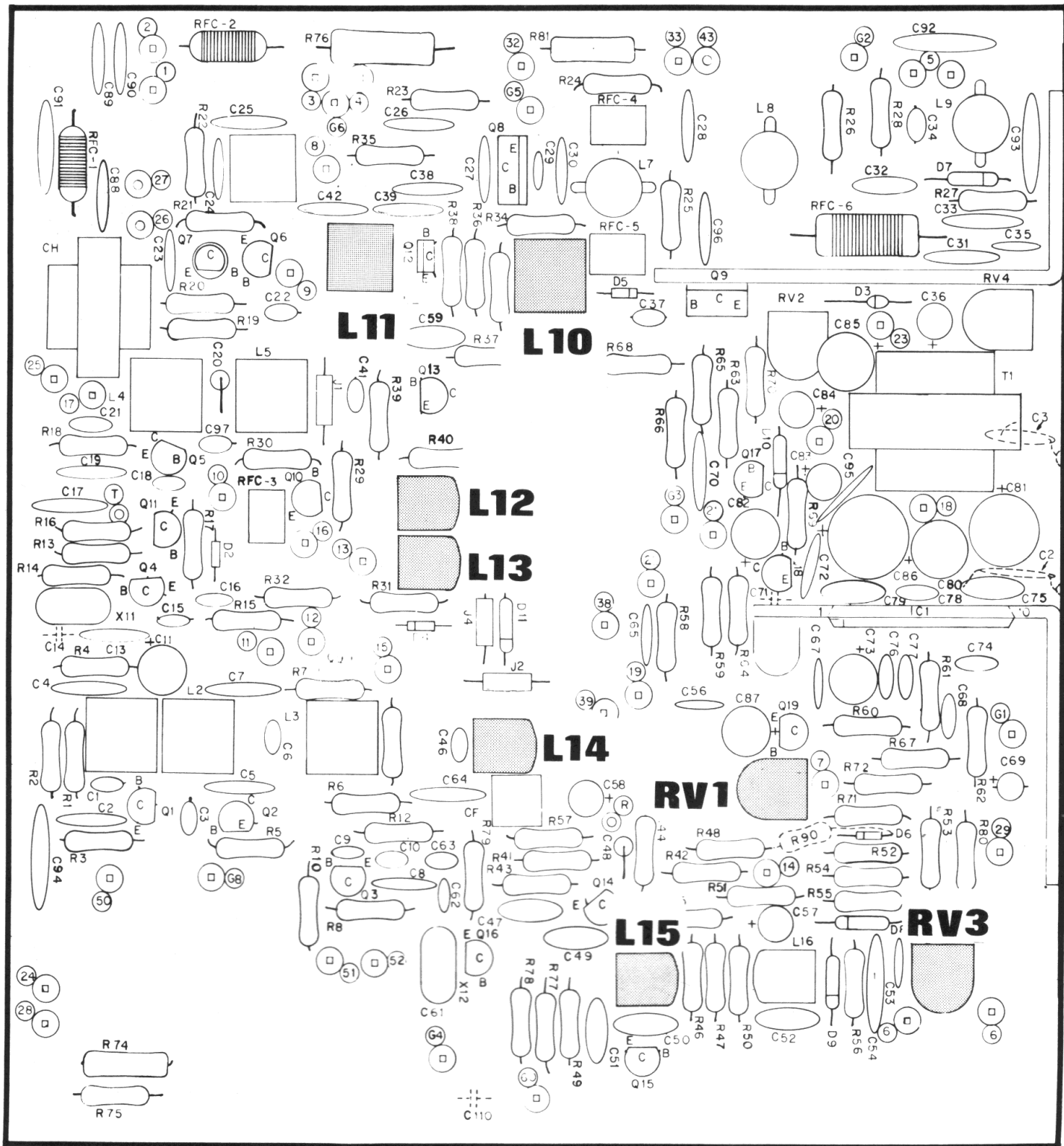


Figure 3-3. Components to be Adjusted for Complete Receiver Alignment

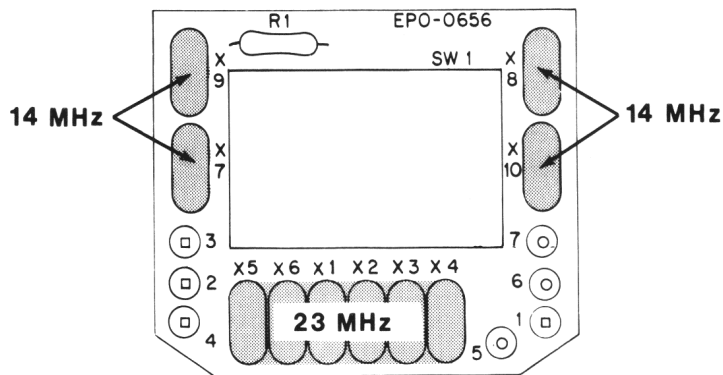
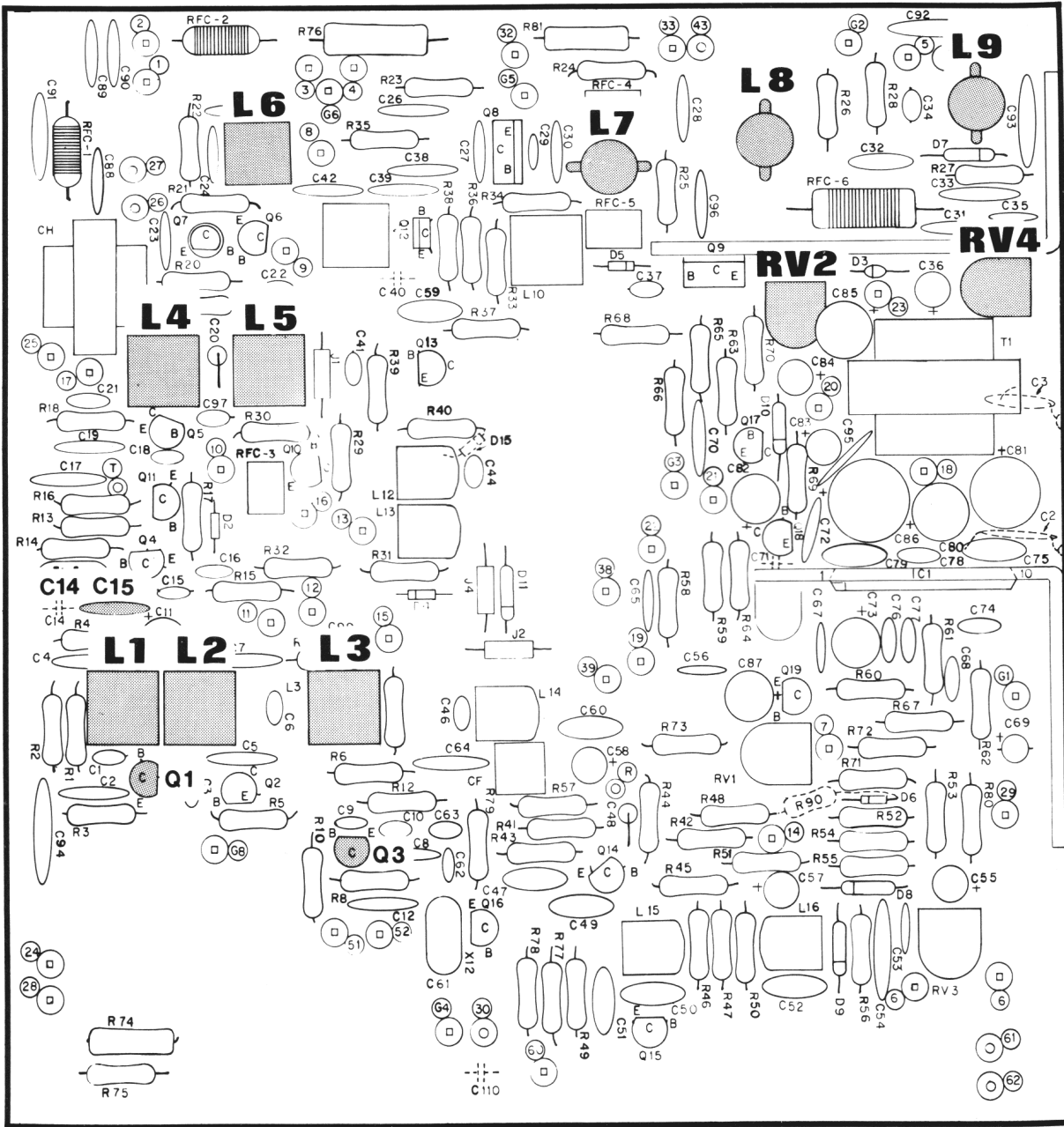


Figure 3-4. Components to be Adjusted for Complete Transmitter Alignment

Transmitter Alignment Procedure

Refer to Figure 3-4 for the location of transmitter procedures alignment components.

NOTE: Be sure to perform any indicated prerequisite procedures first, before continuing with the desired procedure.

Adjusting the Drive Level of the 23 MHz Oscillator and Checking the 14 MHz Oscillator

test equipment needed:

Heathkit IP-5220 power supply
Waters 334-A dummy load wattmeter
Simpson 260 VOM
Heathkit IB-1101 frequency counter

1. Turn the transceiver off.
2. Connect the dummy load to the antenna jack.
3. Adjust the power supply output for 120 VAC. Then plug the transceiver power cord into it.
4. Turn the transceiver on. Set the channel selector on channel 13.
5. Key the transmitter with the microphone PTT button.
6. Adjust L1 so that its core is flush with the top of the can.
7. Touch the VOM probe to the emitter of Q1. Turn the core of L1 clockwise until a jump in emitter voltage is observed. This is the oscillation starting point. Turn the core of L1 one-half turn further clockwise beyond that point.

NOTE: To insure accurate readings, be sure to connect the VOM ground lead to a p.c. board ground, not the chassis frame; because the unit has a floating ground.

8. If desired, the frequency may be checked to touching the frequency counter probe to the emitter of Q1. There should be a reading of 23.440 MHz \pm 300 Hz.
9. The 14 MHz Oscillator may also be checked at this time, if desired. Touch the frequency counter probe to the collector of Q3. There should be a reading of 14.950 MHz \pm 300 Hz.

NOTE: Use a low capacity probe when measuring these frequencies. A high capacity probe can cause the oscillators to go off-frequency.

10. Unkey the transmitter, turn the transceiver off, and disconnect the test equipment.

Output Frequency Check and Adjustments

test equipment needed:

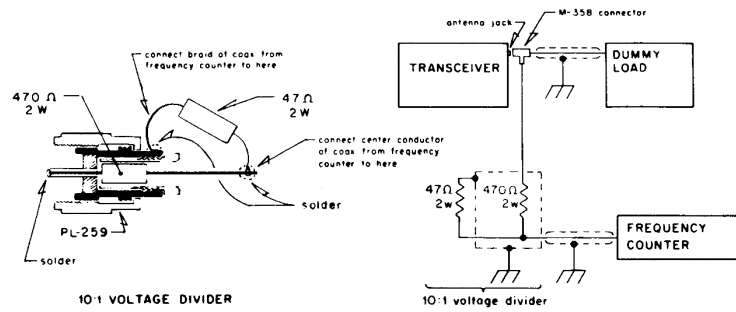
Heathkit IP-5220 power supply
Waters 334-A dummy load wattmeter
Heathkit IB-1101 frequency counter

All transmit channel frequencies should be \pm 800 Hz at the antenna jack per FCC requirements. There are two ways to correct deviations in excess of this. If all the frequencies are off in the same direction — all high or low — they can be corrected by

adjustments made to the Offset Oscillator. If a multiple of four channels or of six channels is off, the Crystal Matrix has one or more crystals that must be replaced.

A. Frequency Check

1. Turn the transceiver off.
2. Connect the dummy load and frequency counter to the antenna jack as shown below:



EO-0670-A-015

3. Adjust the power supply output for 120 VAC. Then plug the transceiver power cord into it.
4. Turn the transceiver on.
5. Key the transmitter with the microphone PTT button.
6. Check the frequency of each channel per the chart below:

CHANNEL FREQUENCY

Channel	MHz	Channel	MHz
1	26.965	13	27.115
2	26.975	14	27.125
3	26.985	15	27.135
4	27.005	16	27.155
5	27.015	17	27.165
6	27.025	18	27.175
7	27.035	19	27.185
8	27.055	20	27.205
9	27.065	21	27.215
10	27.075	22	27.225
11	27.085	23	27.255
12	27.105		

7. If all the frequencies tend to be off in the same direction, follow B below. If a multiple of four or six channels are off, follow C below.

B. Adjusting the Offset Oscillator

1. To *raise* all the channel frequencies — first check for a jumper installed at C13 or C14, either above or below the p.c. board. If present, remove it, install a 270 pF capacitor at C13, and recheck all channel frequencies. If they still need to go higher, replace C13 with a lower value capacitor and then check all frequencies again.
2. To *lower* all the channel frequencies — first check for a jumper installed at C14, either above or below the p.c. board. If present, the frequency cannot be lowered because it

is already as low as it can go. In this case, replace X11 and then go back to Part A, Step 6. If there is no jumper, replace C13 with a higher value capacitor and recheck all channel frequencies. If the frequencies are not low enough, install a additional capacitor at C14 and recheck all frequencies. If the frequencies are still not low enough, replace C13 and C14 with a jumper and recheck frequencies again.

3. Unkey the transmitter, turn the transceiver off, and disconnect all test equipment.

C. Correcting Crystal Matrix Frequencies

1. Determine which channels are off frequency and replace the appropriate crystal with a good crystal as indicated in the chart below:

Off-frequency or Defective	Replace Crystal
CH 1 - 4	X1 — 23.290 MHz
CH 5 - 8	X2 — 23.340 MHz
CH 9 - 12	X3 — 23.390 MHz
CH 13 - 16	X4 — 23.440 MHz
CH 17 - 20	X5 — 23.490 MHz
CH 21 - 23	X6 — 23.540 MHz
CH 1, 5, 9, 13, 17, 21	X7 — 14.950 MHz
CH 2, 6, 10, 14, 18, 22	X8 — 14.960 MHz
CH 3, 7, 11, 15, 19	X9 — 14.970 MHz
CH 4, 8, 12, 16, 20	X10 — 14.990 MHz

2. Recheck all channel frequencies.
3. Unkey the transmitter, turn the transceiver off, and disconnect all test equipment.

RF Output Adjustment

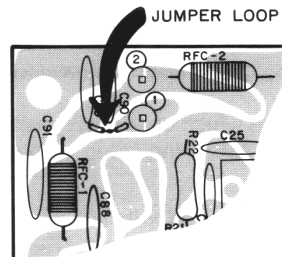
test equipment needed:

- Heathkit IP-5220 power supply
- Waters 334-A dummy load wattmeter
- Simpson 260 VOM

1. Turn the transceiver off. Connect the dummy load wattmeter to the antenna jack.
2. Adjust the power supply output for 120 VAC. Then plug the transceiver power cord into it.
3. Turn the transceiver on. Set the channel selector on channel 13.
4. Key the transmitter with the PTT button.
5. Reduce the power supply voltage for a wattmeter reading of exactly 0.5 watt. This unsaturates the cans to get the sharp peaks needed to adjust them.
6. Adjust L2, L3, L4, L5, L6, and L7 for maximum readings on the wattmeter.
7. Repeat step 6 until no further improvement is observed.
8. Change the channel selector to channel 23 and raise the power supply voltage to 120 VAC.
9. Adjust L8 and L9 for maximum readings on the wattmeter.
10. Repeat step 9 until no further improvement is observed.

11. Cut open the jumper loop (left, rear of the main p.c. board) as shown below. Set the VOM for the 10A scale. Connect the meter positive lead to the pin 1 side of the severed jumper loop; connect the negative lead to the other side of the loop.

EO-0673-A-018



12. Back off L9 (counterclockwise) for a reading of 4.0 watts. Maximum total current at this setting must not exceed 950 mA. Readjust L8 also if necessary to meet this specification.
13. Unkey the transmitter, turn the transceiver off, and disconnect the test equipment.
14. Resolder the jumper loop back together.

Modulation Adjustment

test equipment needed:

- Heathkit IP-5220 power supply
- Waters 334-A dummy load wattmeter
- Tektronix 465 oscilloscope

prerequisite procedure:

RF Output Adjustment

1. Turn the transceiver off.
2. Connect the dummy load to the antenna jack.
3. Adjust the power supply output for 120 VAC. Then plug the transceiver power cord into it.
4. Turn the transceiver on. Set the channel selector on channel 13.
5. Connect the oscilloscope probe to the center lead of the backside of the antenna jack. Connect the ground lead to the chassis wrap-around.
6. Key the transmitter with the PTT switch and whistle into the microphone. Note the oscilloscope display and adjust RV2 for 90% modulation (valleys are 90% of peaks). Unkey the transmitter.
7. Turn the transceiver off, and disconnect the test equipment.

Spurious Frequency Check

test equipment needed:

Heathkit IP-5220 power supply
Waters 334-A dummy load wattmeter
Tektronix 465 oscilloscope

prerequisite procedures:

RF Output Adjustment
Modulation Adjustment

1. Turn the transceiver off.
2. Connect the dummy load to the antenna jack.
3. Adjust the power supply output for 120 VAC. Then plug the transceiver power cord into it.
4. Turn the transceiver on. Set the channel selector on channel 13. Connect the oscilloscope probe to the center lead of the backside of the antenna jack. Connect the ground lead to the chassis wrap-around.
5. Key the transmitter with the PTT switch and whistle into the microphone. Note the oscilloscope display. There should be no irregularities on any portion of the wave pattern.
6. Re-do the RF Output Adjustment procedure if any irregularities are noted. The output signal should be a clean, smooth pattern.
7. Unkey the transmitter, turn the transceiver off, and disconnect the test equipment.

Meter Adjustment, Power Scale

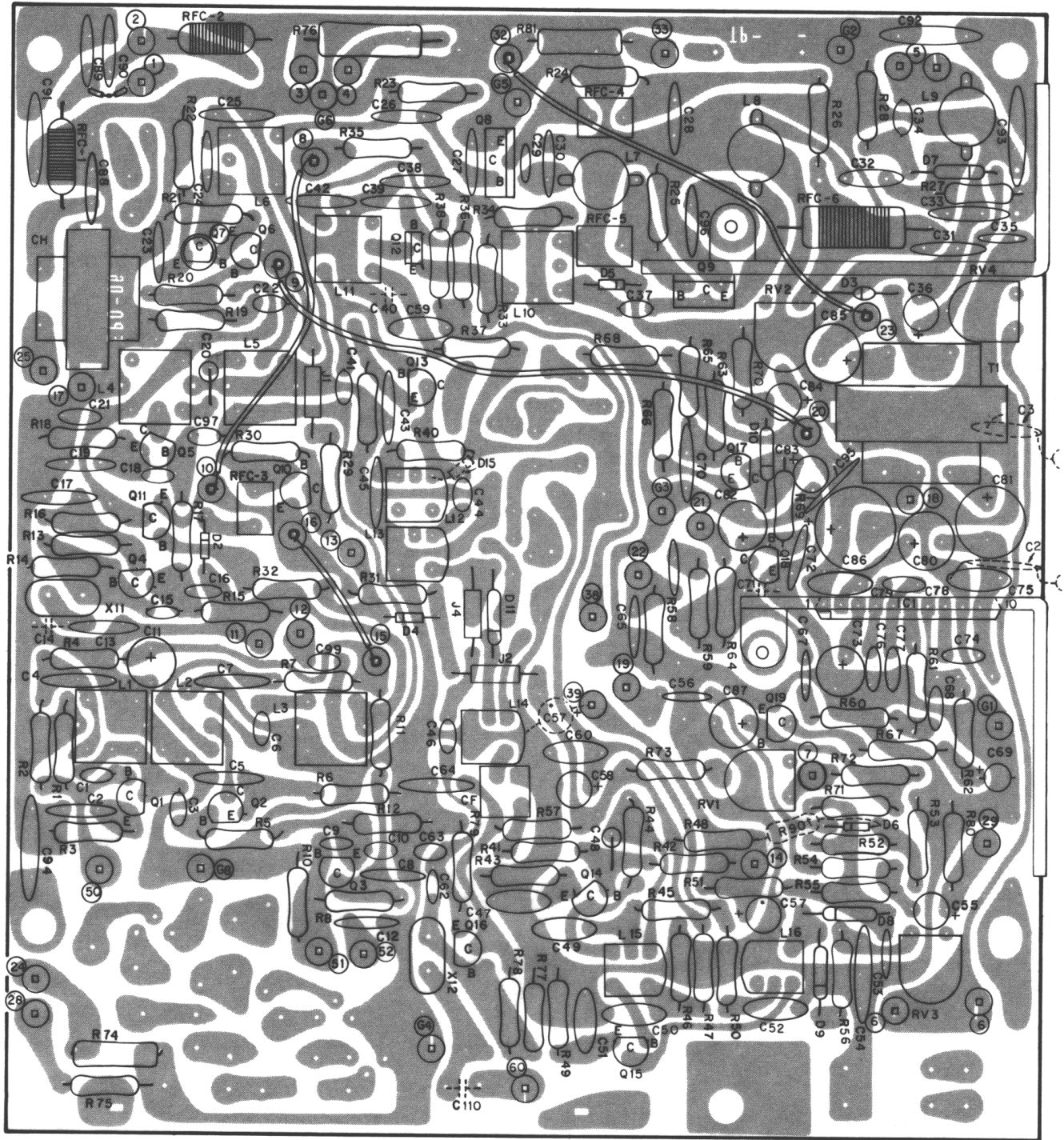
test equipment needed:

Heathkit IP-5220 power supply
Waters 334-A dummy load wattmeter

prerequisite procedure:

RF Output Adjustment

1. Turn the transceiver off.
2. Connect the dummy load to the antenna jack.
3. Adjust the power supply output for 120 VAC. Then plug the transceiver power cord into it.
4. Turn the transceiver on. Set the channel selector on channel 13.
5. Key the transmitter with the PTT switch. Adjust RV4 for the same reading on the transceiver meter power scale as is shown on the wattmeter (calibrated instrument).
6. Unkey the transmitter, turn the transceiver off, and disconnect the test equipment. This completes the transmitter alignment.

**NOTES:**

1. P.C. board shown as viewed from component side.
2. Dashed outline component - mounted on foil side.
Dashed schematic symbol - selectable component and/or value.
3. †R90 was not used on early units.
4. *C57 may be mounted either above or below the p.c. board.

Figure 3-5. Main P.C. Board, Component Outline