

This Manual is provided by
CBTricks.com

Someone who wanted to help you repair your equipment
scanned this manual.

If you would like to help us put more manuals online support us.

Supporters of CBTricks.com paid for the hosting so you would have this file.

CBTricks.com is a non-commercial personal website was created to help promote the exchange of service, modification, technically oriented information, and historical information aimed at the Citizens Band, GMRS (CB "A" Band), MURS, Amateur Radios and RF Amps.

CBTricks.com is not sponsored by or connected to any Retailer, Radio, Antenna Manufacturer or Amp Manufacturer, or affiliated with any site links shown in the links database. The use of product or company names on my web site is not endorsement of that product or company.

If your company would like to provide technical information to be featured on this site I will put up on the site as long as I can do it in a non-commercial way.

The site is supported with donation from users, friends and selling of the Galaxy Service Manual CD to cover some of the costs of having this website on the Internet instead of relying on banner ads, pop-up ads, commercial links, etc. to pay my costs. Thus I do not accept advertising banners or pop-up/pop-under advertising or other marketing/sales links or gimmicks on my website.

ALL the money from donations is used for CBTricks.com I didn't do all the work to make money (I have a day job). I didn't do all this work for someone else to make money also, for example the ebay CD sellers.

All Trademarks, Logos, and Brand Names are the property of their respective owners.
This information is not provided by, or affiliated in any way with any radio or antenna Manufacturers.
Thank you for any support you can give.



MODEL G-12(3316)

**GONSET MODEL
G-12 (3316) (3329)**

NOTICE
ONLY THOSE PERSONS PROPERLY LICENSED BY FCC ARE PERMITTED TO MAKE CRYSTAL SUBSTITUTION OR EFFECT REPAIRS ON THE TRANSMITTER PORTION OF THIS UNIT.

TRADE NAME	Gonset Models G-12 (3316), G-12 (3329)
MANUFACTURER	Gonset Div., Young Spring & Wire Corp., 801 S. Main Street, Burbank, Calif.
TYPE SET	AC (or) Battery Operated Crystal Controlled 8 Tube Citizens Band Transmitter-Receiver
POWER SUPPLY	3316: 110-120 Volts AC, 60 Cycles (or) 12 Volt Storage Battery 3329: 110-120 Volts AC, 60 Cycles (or) 6 Volt Storage Battery
RATING	AC: 50 Watts, .5 Amp. @117 Volts AC 12VDC: 3.8 Amp. @12.6 Volts DC 6VDC: 7.6 Amp. @6.3 Volts DC
FREQUENCY RANGE	Any 4 of Citizens Band Channels 1 thru 22

ALIGNMENT INSTRUCTIONS

ALIGNMENT INSTRUCTIONS—READ CAREFULLY BEFORE ATTEMPTING ALIGNMENT

Suggested Alignment Tools:	A1 thru A7, A9 ... GENERAL CEMENT #9296, 9297 WALSCO #2546, 2547
	A8, A10 ... GENERAL CEMENT #5000, 5003, 5066, 8276, 8290, 9087, 9089 WALSCO #2512, 2525, 2528
	All ... GENERAL CEMENT #5004, 5009, 8195, 8274, 8275, 8607, 8728, 8987, 8988, 8989, 9291 WALSCO #2515, 2520, 2522, 2523, 2531, 2532, 2534, 2537, 2538

RECEIVER ALIGNMENT

	SIGNAL GENERATOR COUPLING	SIGNAL GENERATOR FREQUENCY	RADIO DIAL SETTING	CONNECT VTVM	ADJUST	REMARKS
1.	High side thru .001mfd to pin 2 (grid) of Mixer. Low side to chassis.	1650KC		DC probe to point A. Common to chassis.	A1, A2, A3, A4, A5, A6	Adjust for maximum deflection on first peak as slug enters coil. (Attenuate generator for -3V max.)
2.	Adjust A7 for maximum receiver background noise.					

TRANSMITTER ALIGNMENT

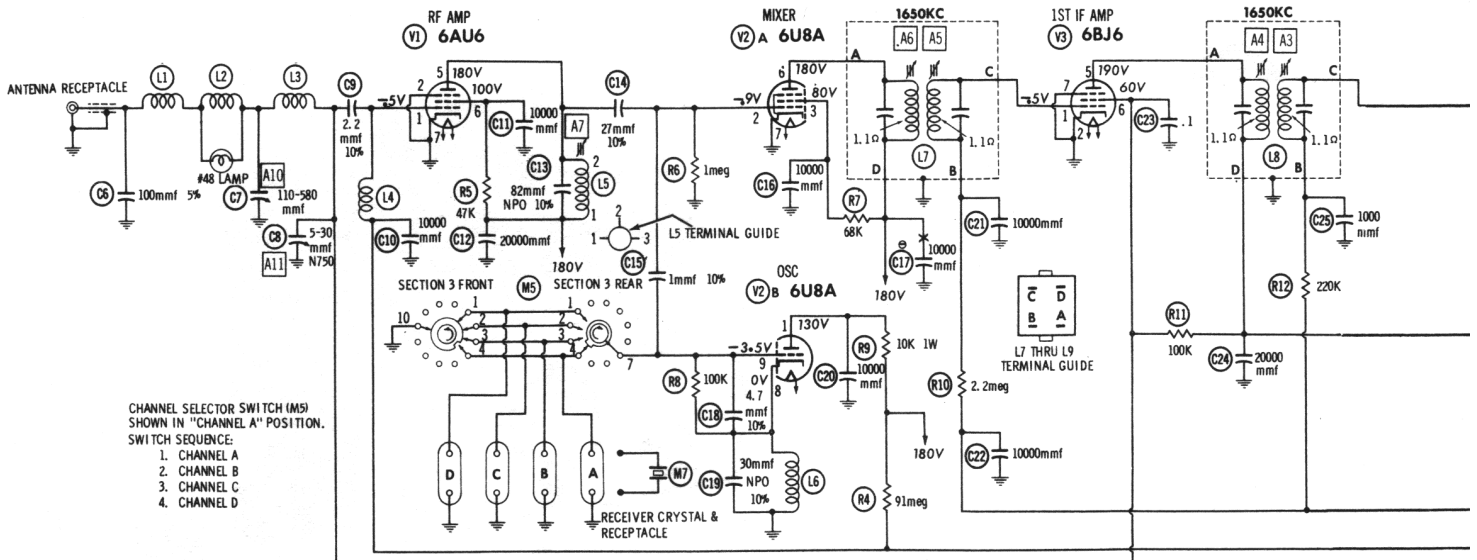
- Connect a 52Ω dummy load to the antenna jack.
- Using a frequency measuring instrument, adjust A8 to frequency indicated on crystal (within 100v).
- Adjust A9 for maximum voltage at point B (pin 7 of V8).
- Adjust A10 and A11 for maximum indicator lamp brightness. Start with A10 at maximum capacity.

HOWARD W. SAMS & CO., INC. Indianapolis 6, Indiana

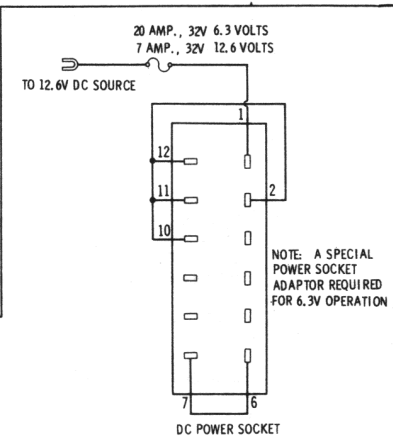
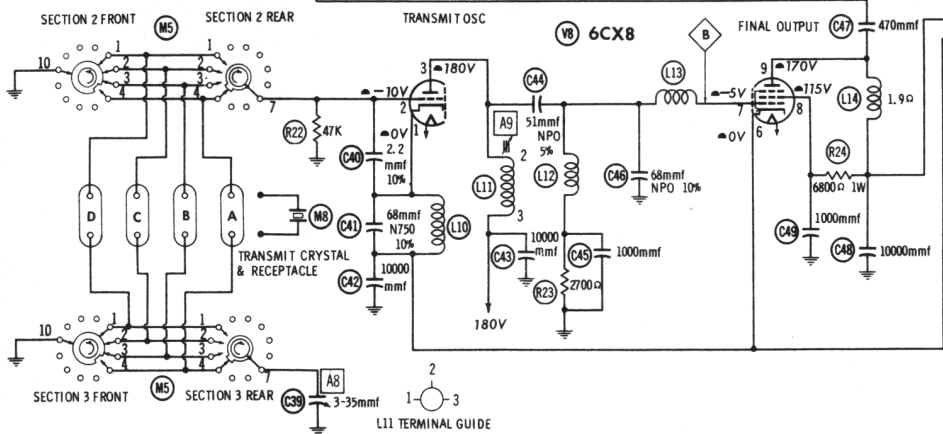


The listing of any available replacement part herein does not constitute in any case a recommendation, warranty or guaranty by Howard W. Sams & Co., Inc., as to the quality and suitability of such replacement part. The numbers of these parts have been compiled from information furnished to Howard W. Sams & Co., Inc., by the manufacturers of KZ429

the particular type of replacement part listed. Reproduction or use, without express permission, of editorial or pictorial content, in any manner, is prohibited. No patent liability is assumed with respect to the use of the information contained herein. © 1961 Howard W. Sams & Co., Inc., Indianapolis 6, Indiana. Printed in U.S. of America



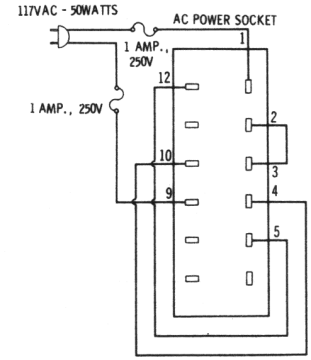
CHANNEL SELECTOR SWITCH (M5) SHOWN IN "CHANNEL A" POSITION.
 SWITCH SEQUENCE:
 1. CHANNEL A
 2. CHANNEL B
 3. CHANNEL C
 4. CHANNEL D

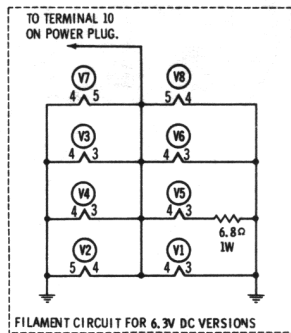
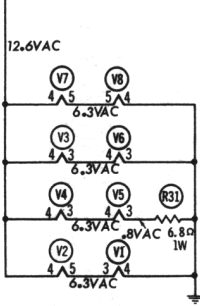
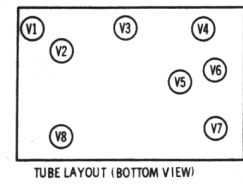
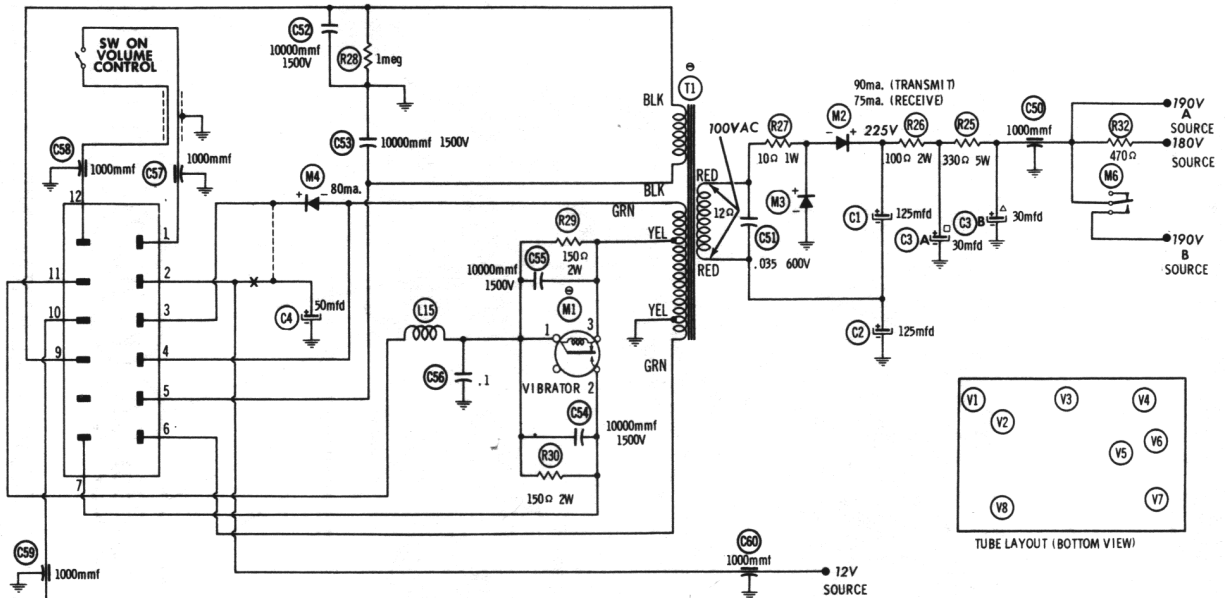
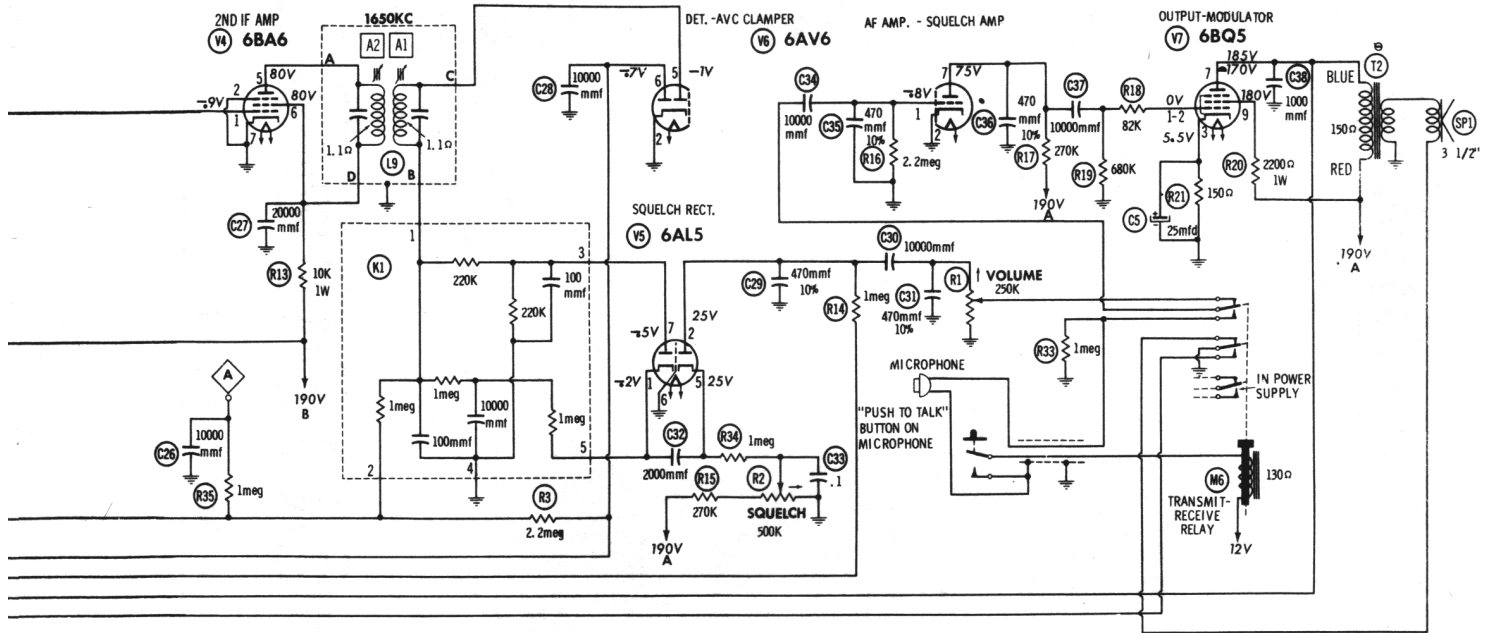


RESISTANCE READINGS

ITEM	TUBE	Pin 1	Pin 2	Pin 3	Pin 4	Pin 5	Pin 6	Pin 7	Pin 8	Pin 9
V1	6AU6	3.6meg	0Ω	.2Ω	0Ω	†900Ω	†48K	0Ω		
V2	6U8A	†11K	1meg	†68K	.5Ω	.2Ω	†900Ω	0Ω	0Ω	100K
V3	6BJ6	3.6meg	0Ω	.2Ω	.5Ω	†430Ω	†100K	0Ω		
V4	6BA6	1.6meg	0Ω	.2Ω	.5Ω	†10K	†10K	0Ω		
V5	6AL5	2.4meg	†1.1meg	3Ω	.2Ω	1.1meg	0Ω	220K		
V6	6AV6	2.2meg	0Ω	0Ω	.2Ω	440K	3.6meg	†270K		
V7	6BQ5	NC	760K	150Ω	.5Ω	.2Ω	NC	†580Ω	NC	†2600Ω
V8	6CX8	†.5Ω	47K	†900Ω	0Ω	.2Ω	40Ω	2700Ω	†7300Ω	†600Ω

ALL MEASUREMENTS MADE IN "RECEIVE" POSITION UNLESS OTHERWISE DESIGNATED.
 † MEASURED IN "TRANSMIT" POSITION.
 † MEASURED FROM OUTPUT OF M1. NC NO CONNECTION





SEE PARTS LIST FOR ALTERNATE VALUE OR APPLICATION

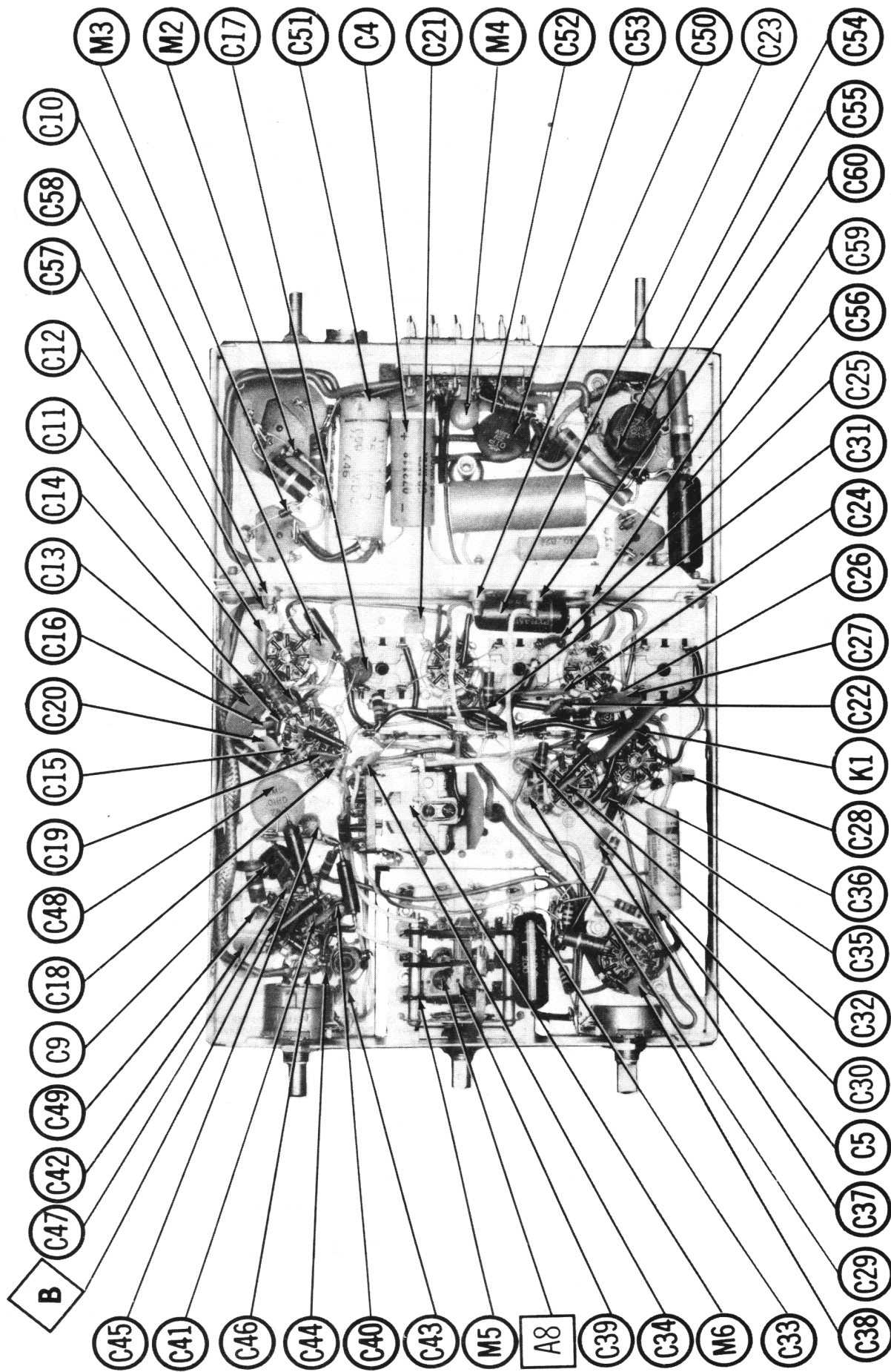
DC COIL RESISTANCE VALUES UNDER ONE OHM NOT SHOWN ON SCHEMATIC DIAGRAM

ARROWS ON CONTROLS INDICATE CLOCKWISE ROTATION (CONTROL VIEWED FROM SHAFT END)

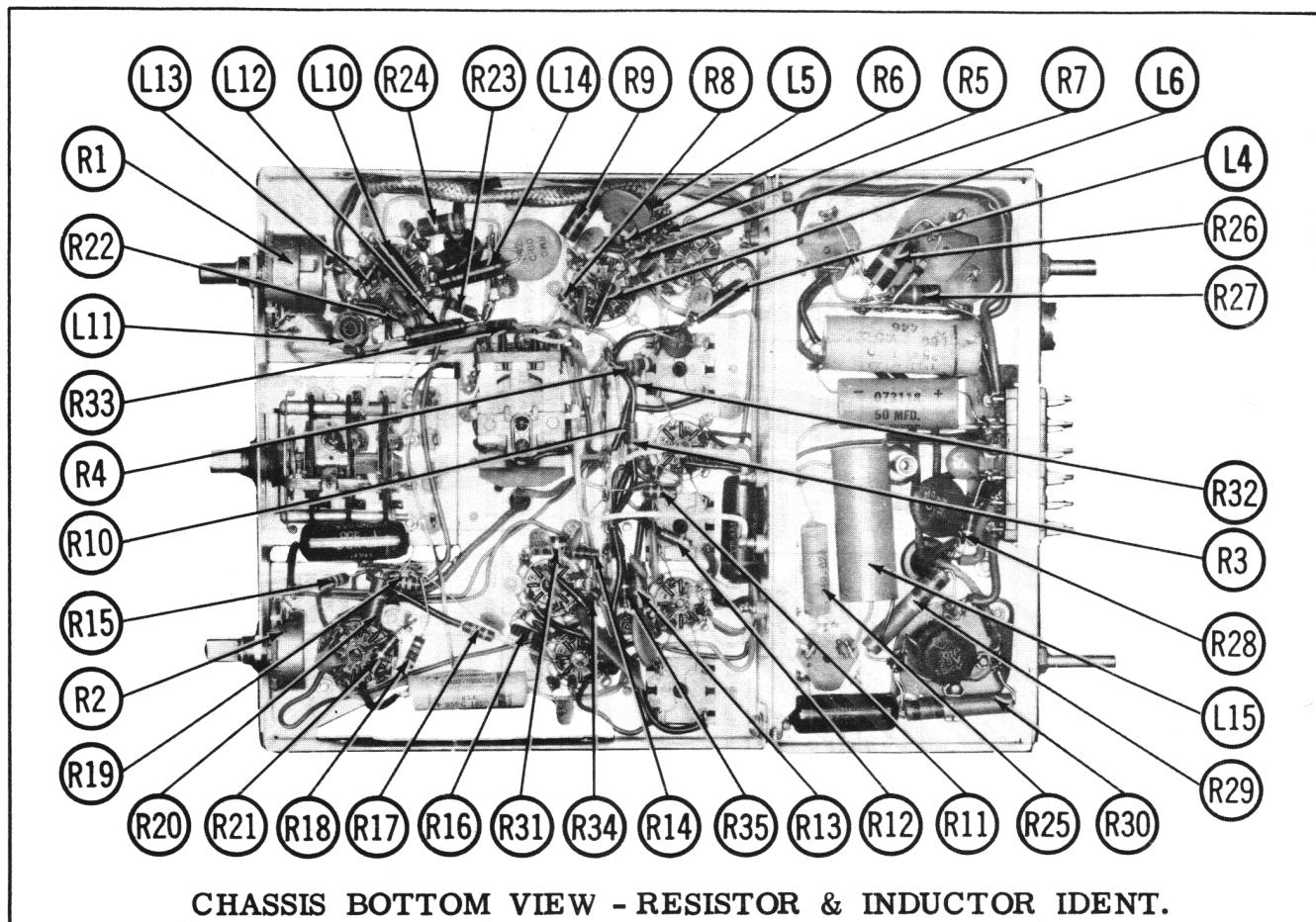
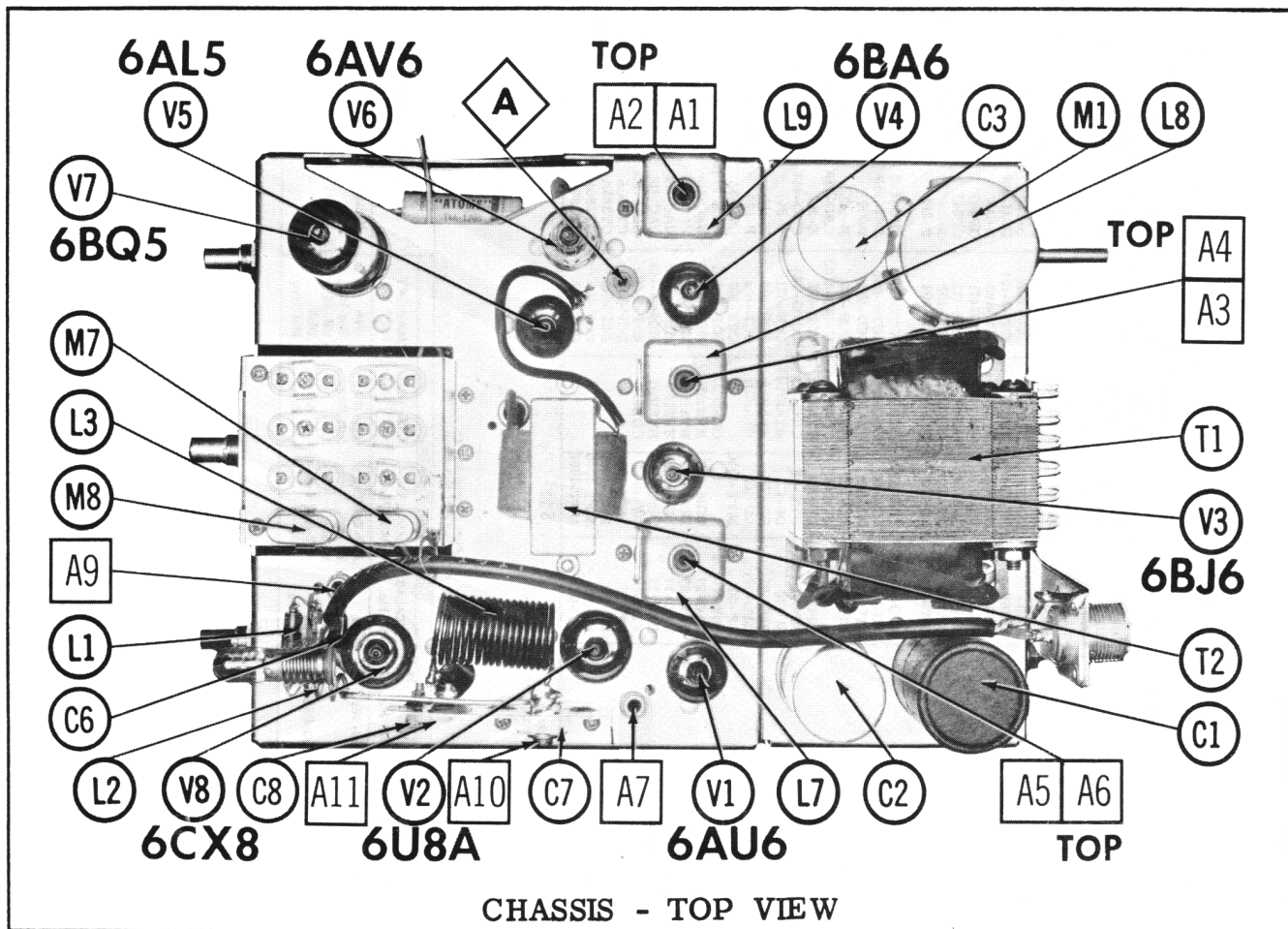
NUMBERS ASSIGNED TO COILS, SWITCHES, PLUGS, SOCKETS, AND TRANSFORMERS ARE TO FACILITATE CIRCUIT TRACING OR COMPONENT REPLACEMENT AND MAY NOT NECESSARILY BE FOUND ON THE UNIT.

1. DC voltage measurements taken with vacuum tube voltmeter; AC voltages measured with 1000 ohm per volt voltmeter.
2. Socket connections are shown as bottom views.
3. Measured values are from socket pin to common ground.
4. Line voltage maintained at 117 volts for voltage readings.
5. Nominal tolerance of component values makes possible a variation of +15% in voltage and resistance readings.
6. All controls at minimum, proper output load connected.

GONSET MODEL G-12 (3316) (3329)



CHASSIS BOTTOM VIEW - ALIGNMENT, CAPACITOR & MISC. IDENT.



PARTS LIST AND DESCRIPTIONS (Continued)

RESISTORS

All wattages 1/2 watt, or less, unless otherwise listed.

ITEM No.	RATING	REPLACEMENT DATA		ITEM No.	RATING	REPLACEMENT DATA	
		IRC PART No.	WORKMAN TV PART No.			REMARKS	REMARKS
R3	2.2meg			R20	22000 1W		
R4	91meg			R21	1500		
R5	47K			R22	47K		
R6	1meg			R23	27000		
R7	68K			R24	68000 1W		
R8	100K			R25	3300 5W		
R9	10K 1W			R26	1000 2W		5W-SQ-330
R10	2.2meg			R27	100 1W		
R11	100K			R28	1meg		
R12	220K			R29	1500 2W		
R13	10K 1W			R30	1500 2W		
R14	1meg			R31	6.8K 1W		
R15	270K			R32	4700		
R16	2.2meg			R33	1meg		
R17	270K			R34	1meg		
R18	82K			R35	1meg		
R19	680K						

COMPONENT COMBINATIONS

ITEM No.	USE	DESCRIPTION	GONSET PART No.	REPLACEMENT DATA
K1	Noise Clipper Network	(2) 100mmf, 10000mmf, (3) 220K, (3) 1 meg	089-003	

COILS (RF-IF)

ITEM No.	USE	REPLACEMENT DATA			NOTES
		GONSET PART No.	Miller PART No.	Stancor PART No.	
L1	RF Choke (5.6uh)	027-077	4588	RTC-8513	
L2	Output Indicator	011-118			
L3	RF Choke (5.6uh)	027 028		RTC-8519	
L4	RF Choke (5.6uh)	012-414	6171-A	RTC-8609	
L5	RF Choke (5.4uh)	027-004	4809	RTC-8519	
L7	1st IF	014-030			
L8	2nd IF	014-030			
L9	3rd IF	027-028		RTC-8519	
L10	RF Choke (5.6uh)	012-415	4809	RTC-8609	
L11	RF Choke (5.6uh)	027-028	4388	RTC-8519	
L12	RF Choke (5.6uh)	027-073	4824	RTC-8524	
L13	RF Choke (5.4uh)	027-032	5219	RTC-9181	
L14	RF Choke (5.4uh)	027-032			
L15	Hash Choke (4uh)	027-010			

TRANSFORMER (POWER)

ITEM No.	RATING	REPLACEMENT DATA			NOTES
		GONSET PART No.	Merit PART No.	Thordarson PART No.	
T1	117V @ 100V @ .5A (AC Only) 12.6V @ 2A *	271-088①			① Part #271-071 used in 6-volt DC versions. * AC operation filament supply. Part of primary when used for DC operation.

TRANSFORMER (AUDIO OUTPUT)

ITEM No.	IMPEDANCE	REPLACEMENT DATA			NOTES
		GONSET PART No.	Merit PART No.	Thordarson PART No.	
T2	27000	272-004 ①			① Alternate Part #272-054.

SPEAKER

ITEM No.	TYPE	REPLACEMENT DATA		NOTES
		GONSET PART No.	QUAM PART No.	
SP1	3 1/2" PM	152-016	3A070T	

VIBRATOR

ITEM No.	TYPE	INPUT VOLTS/SEQUENCY	REPLACEMENT DATA		NOTES
			GONSET PART No.	MALORY PART No.	
M1	Interrupter	12V 115°	6301	6301	12 Volt Versions
	Interrupter	6V 115°	5301	5301	6 Volt Versions

POWER RECTIFIERS

ITEM No.	RATING	CURRENT (Measured)	REPLACEMENT DATA			NOTES
			GONSET PART No.	RCA PART No.	SYLVANIA PART No.	
M2	.090A	474-012	INI763 *	SR500 *		
M3	.090A	474-012	INI763 *	SR500 *	* Silicon Type	
M4	.070A	474-004	INI763 *	SR500 *		

MISCELLANEOUS

ITEM No.	PART NAME	GONSET PART No.	NOTES
M5	Switch	171-098	Channel Selector (Rotary Wafer Type)
M6	Relay	111-091	AC-12VDC Versions
	Relay	111-090	AC-6VDC Versions
M7	Microphone	113-015A	Receive Transmitt
M8	Crystal		

FUSES

ITEM No.	TYPE	RATING	REPLACEMENT DATA		
			GONSET PART No.	LITTELFUSE PART No.	BUSS PART No.
	3AG	LA ①	312001	312001	AGC 1
		250V		(LA 250V)	
	3AG	LA ①	312001	312001	AGC 1
		250V		(LA 250V)	
		7A	307007		SFE 7
		32V ②		(7A 32V)	
		30A	3110202		SFE 30
		32V ③		(30A 32V)	

① 117 VAC Operation. ② 12VDC Operation. ③ 6VDC Operation.

CABINETS & CABINET PARTS

(When Ordering Cabinets & Cabinet Parts, Specify Model, Chassis & Color)

NAME	PART NO.	DESCRIPTION
Knob	211-017	Channel Selector
Knob	211-016	Volume, Squeech
Cabinet	465-066	

WIRING DATA

General-use Unshielded Hook-up Wire Use BELDEN No. 8590 (Solid) Available in Ten Colors
8524 (Stranded) Available in Ten Colors
Power Cord Use BELDEN No. 1765-B (6 Ft. Length)
1765-K (7 1/2 Ft. Length)