

NUMBERS ASSIGNED TO COILS, SWITCHES, PLUGS, SOCKETS, AND TRANSFORMERS ARE TO FACILITATE CIRCUIT TRACING OR COMPONENT REPLACEMENT AND MAY NOT NECESSARILY BE FOUND ON THE UNIT.

SEE PARTS LIST FOR ALTERNATE VALUE OR APPLICATION

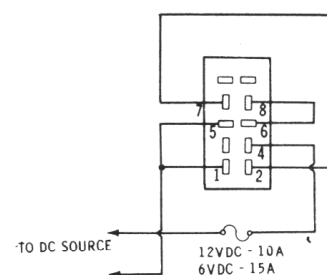
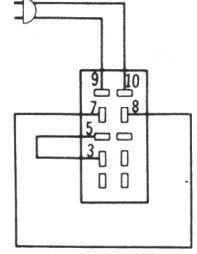
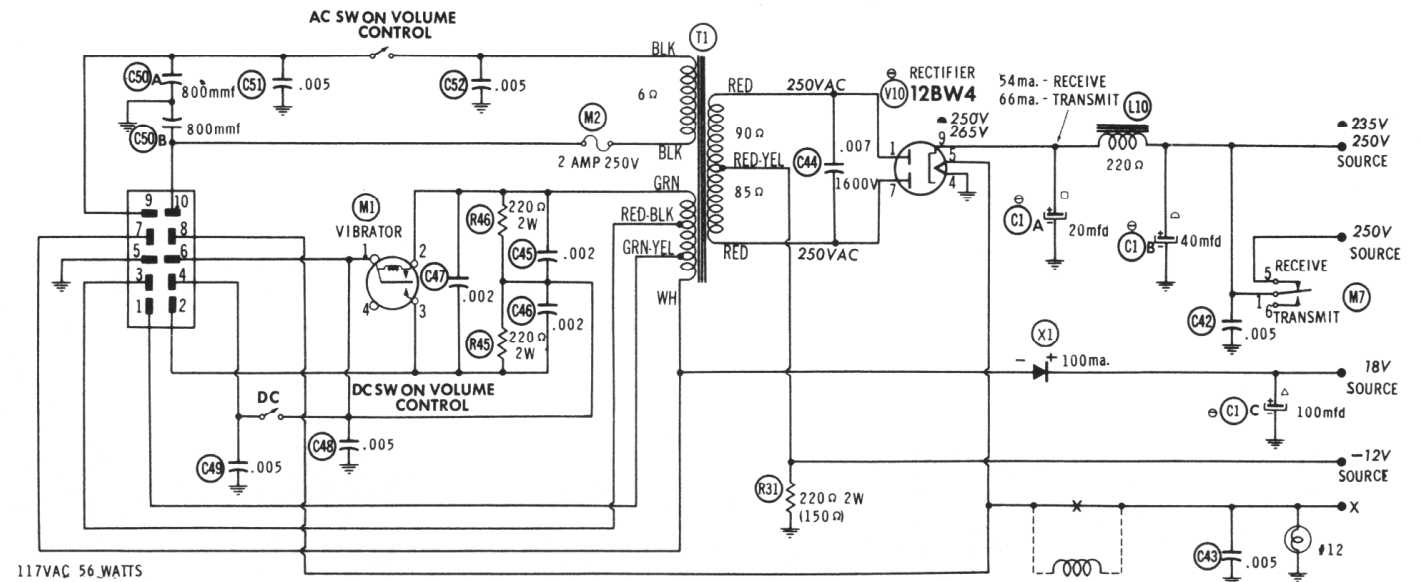
- DC voltage measurements taken with vacuum tube voltmeter; AC voltages measured with 1000 ohm per volt voltmeter.
- Socket connections are shown as bottom views.
- Measured values are from socket pin to common ground.
- Line voltage maintained at 117 volts for voltage readings.
- Nominal tolerance of component values makes possible a variation of ±15% in voltage and resistance readings.
- All controls at minimum, proper output load connected.

A PHOTOFAC STANDARD NOTATION SCHEMATIC
© Howard W. Sams & Co., Inc. 1962

RESISTANCE READINGS

ITEM	TUBE	Pin 1	Pin 2	Pin 3	Pin 4	Pin 5	Pin 6	Pin 7	Pin 8	Pin 9
V1	12BA6	3meg	0Ω	FIL	FIL	†1700Ω	†47K	0Ω		
V2	6U8	†68K	1meg	†80K	FIL	FIL	†1200Ω	6800Ω	0Ω	47K
V3	12BA6	2meg	0Ω	FIL	FIL	†240Ω	†220K	0Ω		
V4	12BA6	1.9meg	0Ω	FIL	FIL	†240Ω	†47K	0Ω		
V5	6BJ8	450K	2.5meg	6800Ω	FIL	FIL	900K	74K	2meg	9K
V6	12AZ7	†255K	540K	30K	FIL	FIL	†520K	2.2meg	≈2200Ω	FIL
V7	12AQ5	500K	220Ω	FIL	FIL	†850Ω	†47K	500K		
V8	6C4	4900Ω	NC	FIL	FIL	NC	10K			
V9	12AQ5	22K	≈0Ω	FIL	FIL	†1.8K	†8600Ω	22K		
V10	12BW4	310Ω	NC	NC	FIL	FIL	NC	305Ω		†

ALL MEASUREMENTS MADE IN "RECEIVE" POSITION WITH SQUELCH CONTROL SET AT NORMAL OPERATING POSITION UNLESS OTHERWISE DESIGNATED.
† MEASURED FROM PIN 9 OF V10. NC NO CONNECTION
† THIS READING WILL VARY DEPENDING UPON THE CONDITION OF THE ELECTROLYTIC IN THE CIRCUIT.
- MEASURED IN "TRANSMIT" POSITION.



GLOBE MODELS
CB-100, A