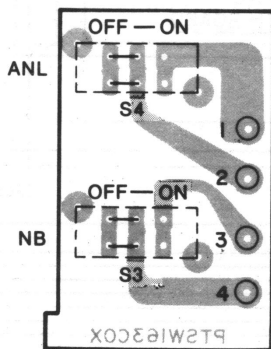
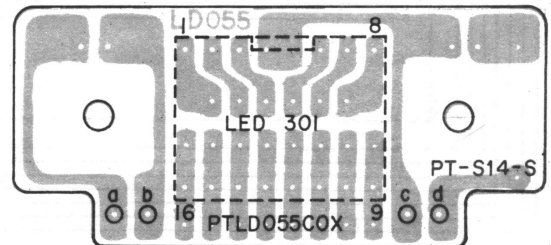


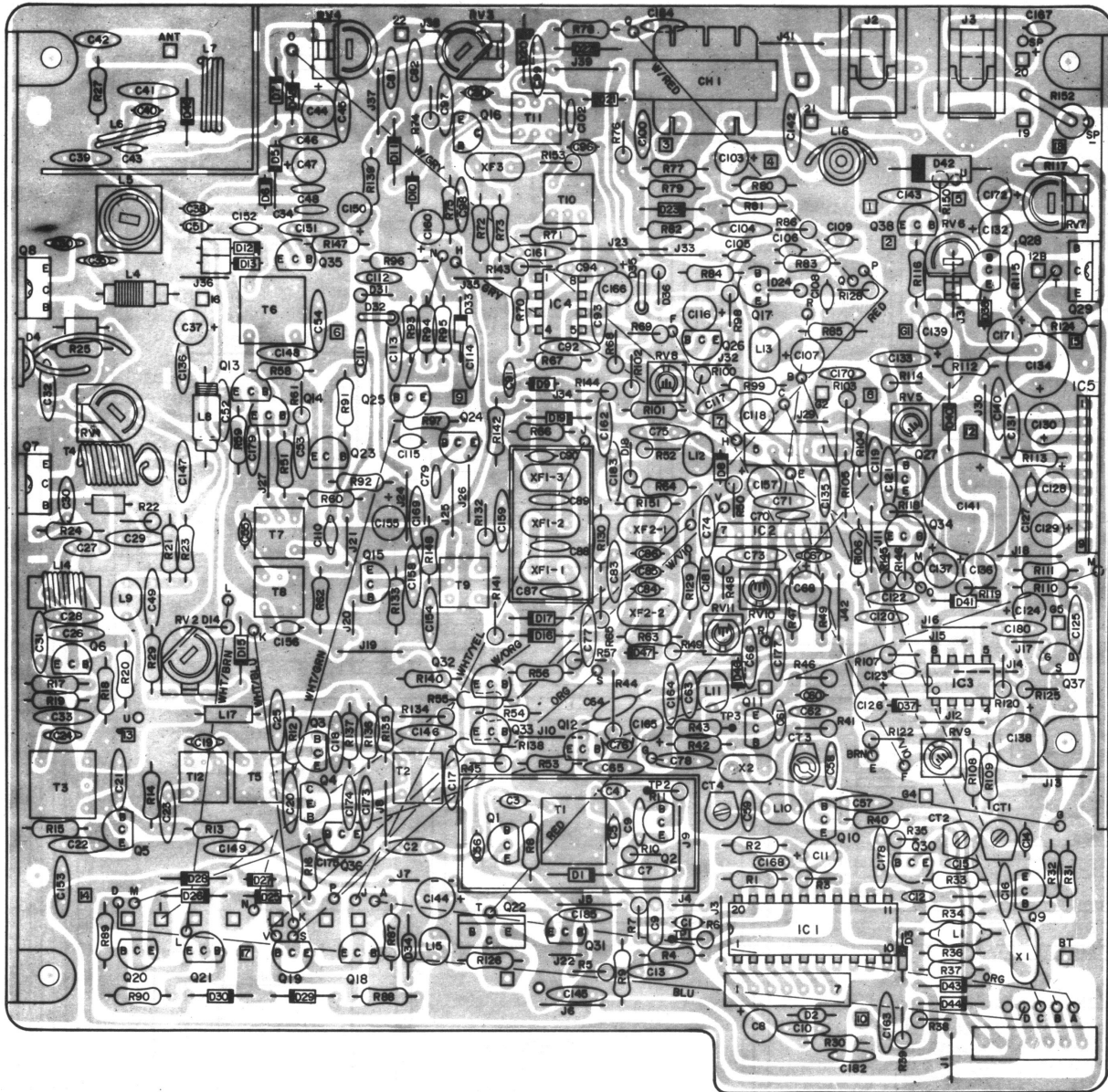
WIRING DIAGRAM MAIN BOARD-BOTTOM VIEW 3-5826A



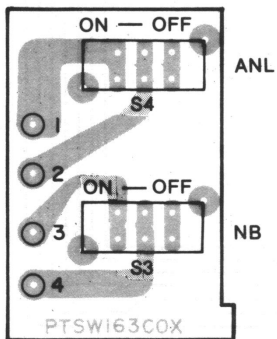
WIRING DIAGRAM NB AND ANL  
SWITCH BOARD-BOTTOM VIEW  
3-5826A



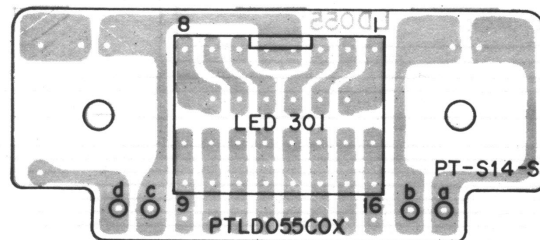
LED DISPLAY-BOTTOM VIEW 3-5826A



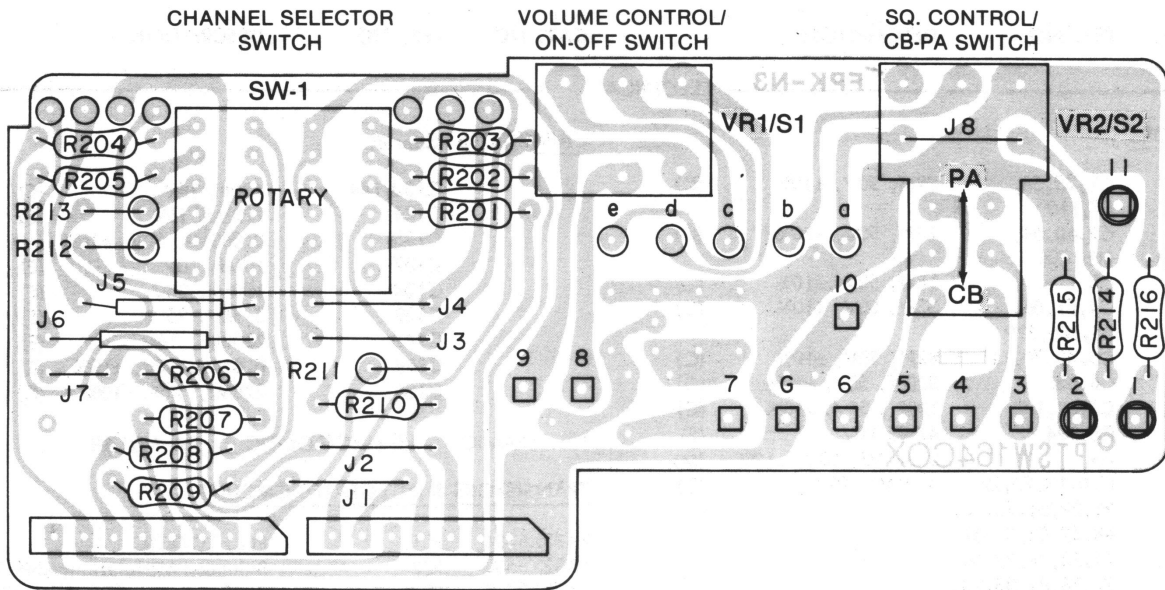
COMPONENT LAYOUT MAIN BOARD-TOP VIEW 3-5826A



COMPONENT LAYOUT NB AND ANL SWITCH BOARD-TOP VIEW 3-5826A



LED DISPLAY-TOP VIEW 3-5826A



COMPONENT LAYOUT CONTROL BOARD-TOP VIEW 3-5826A

