

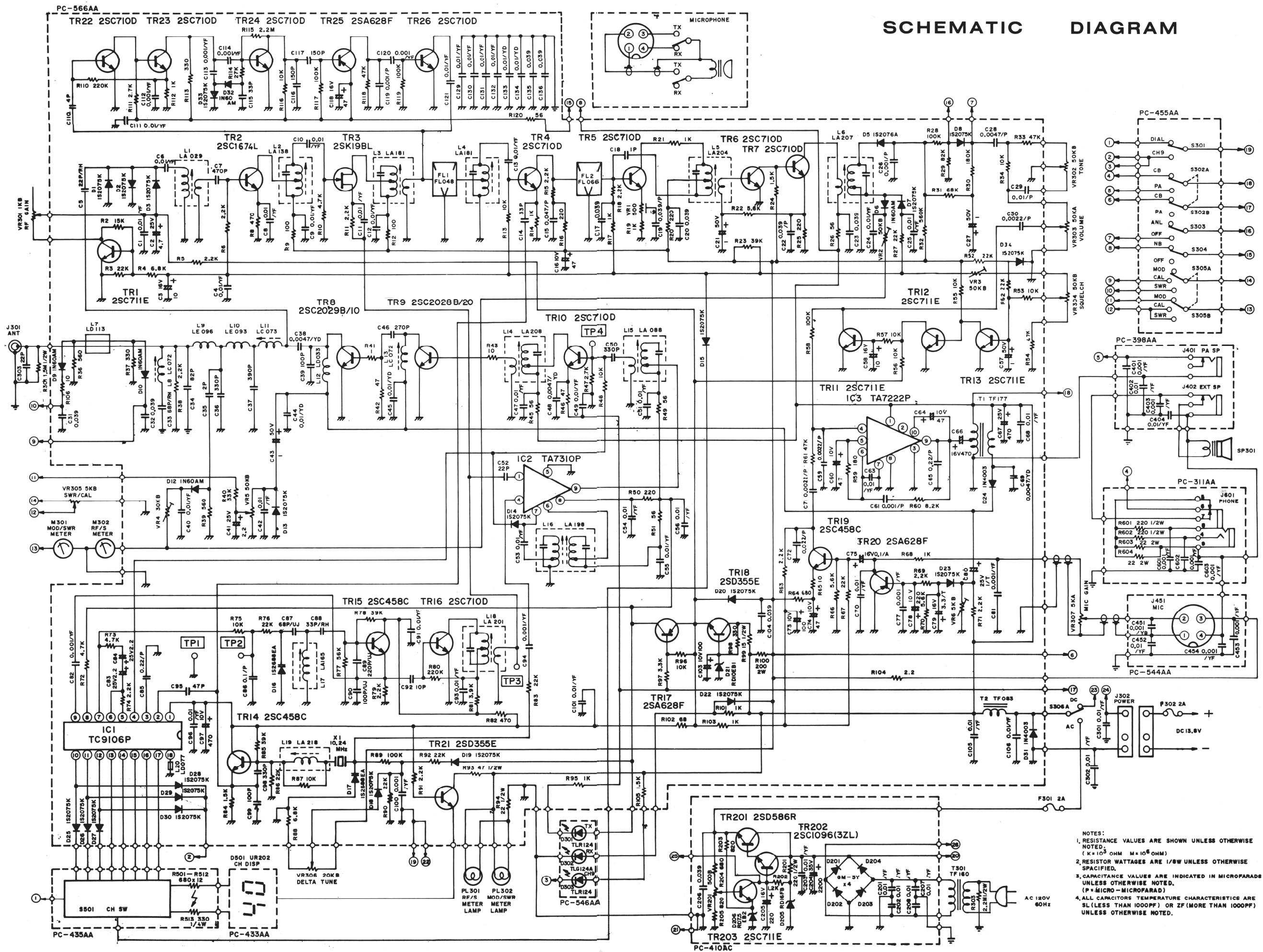
SCHEMATIC DIAGRAM

I.C. VOLTAGE CHART

IC1 (RX)	(TX)
1	0
2	3.45
3	0
4	0
5	3.78
6	3.78
7	0
8	.06
9	3.43
10	.47
11	.47
12	.47
13	7.43
14	7.43
15	7.43
16	7.43
17	7.43
18	0

IC2 (RX)	(TX)
1	.06
2	0
3	0
4	0
5	0
6	.06
7	.06
8	.06
9	.06

IC3 (RX)	(TX)
1	13.13
2	6.78
3	0
4	1.84
5	1.83
6	0
7	0
8	2.90
9	13.78



NOTES:
 1. RESISTANCE VALUES ARE SHOWN UNLESS OTHERWISE NOTED.
 (* K = 10³ OHM M = 10⁶ OHM)
 2. RESISTOR WATTAGES ARE 1/8W UNLESS OTHERWISE SPECIFIED.
 3. CAPACITANCE VALUES ARE INDICATED IN MICROFARADE UNLESS OTHERWISE NOTED.
 (P = MICRO-MICROFARAD)
 4. ALL CAPACITORS TEMPERATURE CHARACTERISTICS ARE 5L (LESS THAN 1000PF) OR 2F (MORE THAN 1000PF) UNLESS OTHERWISE NOTED.