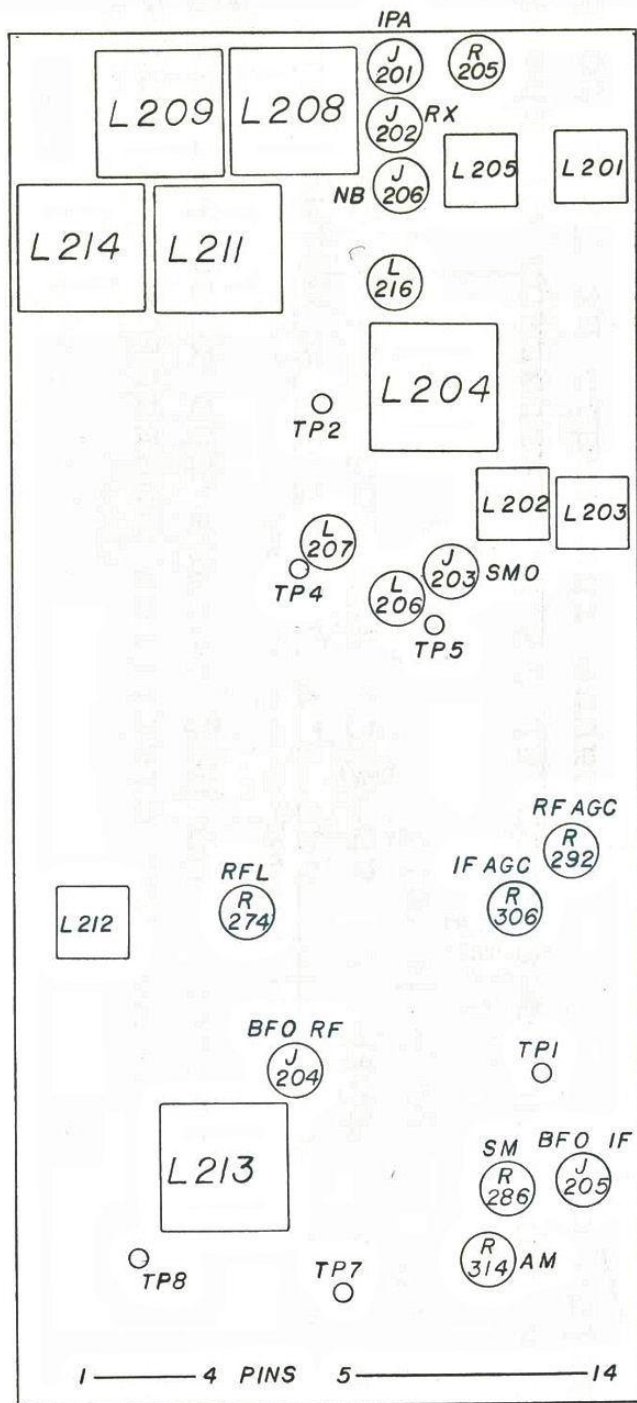
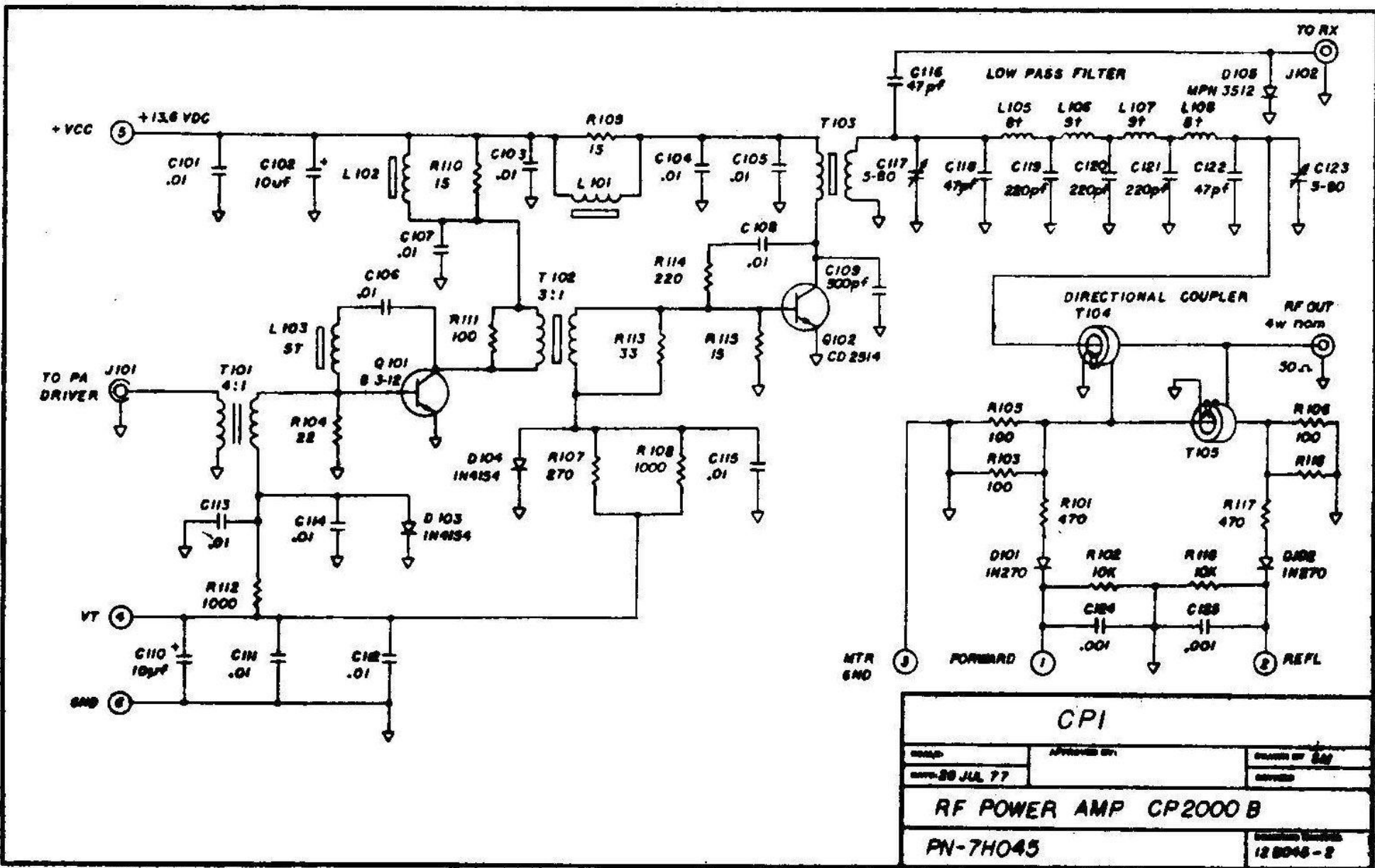
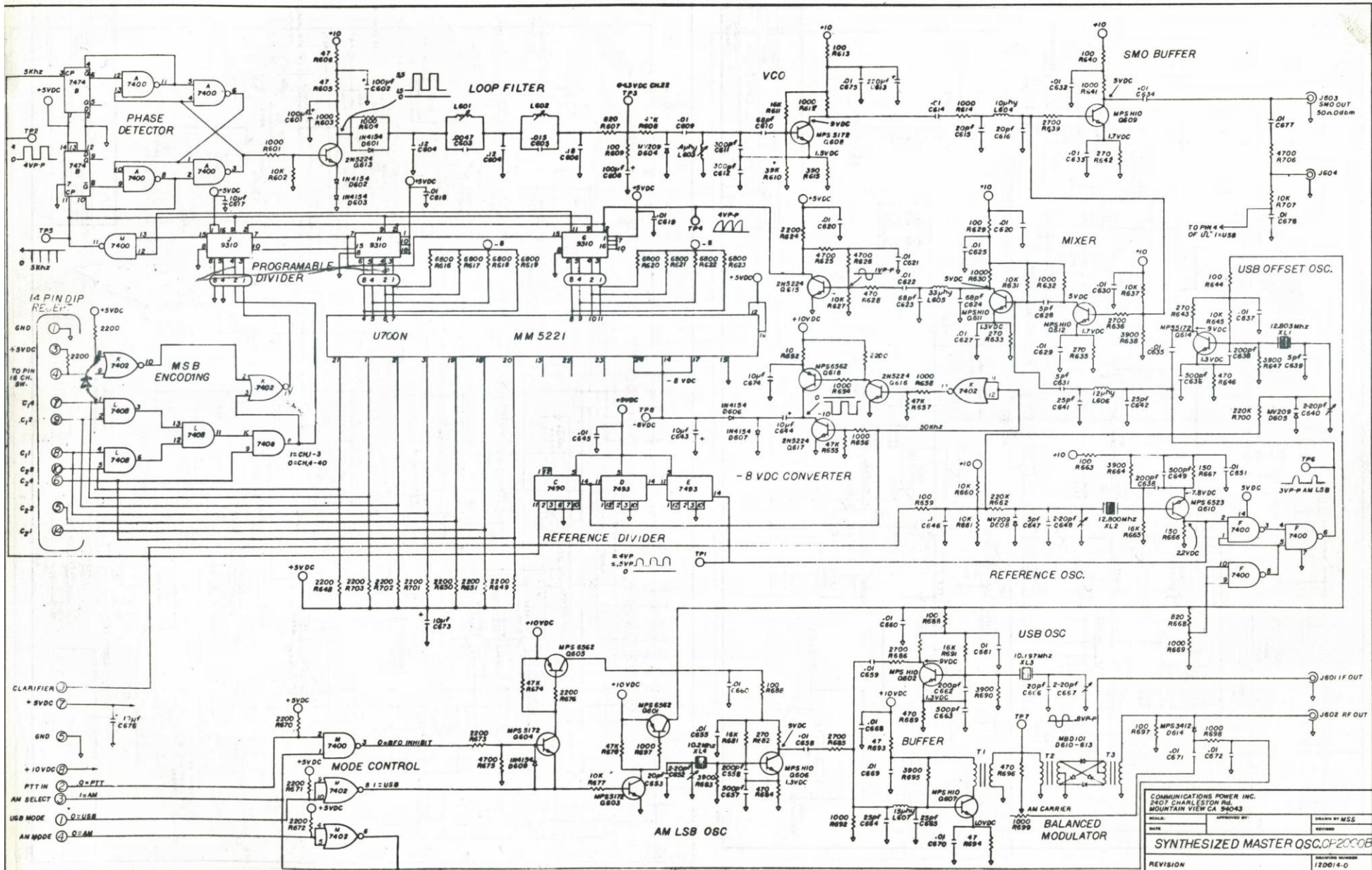


CPI		
SCALE:	APPROVED BY:	DRAWN BY B.S.
DATE: 16 AUG 77		REVISED
BLOCK DIAGRAM CP2Q00B		
		DRAWING NUMBER
		26C002

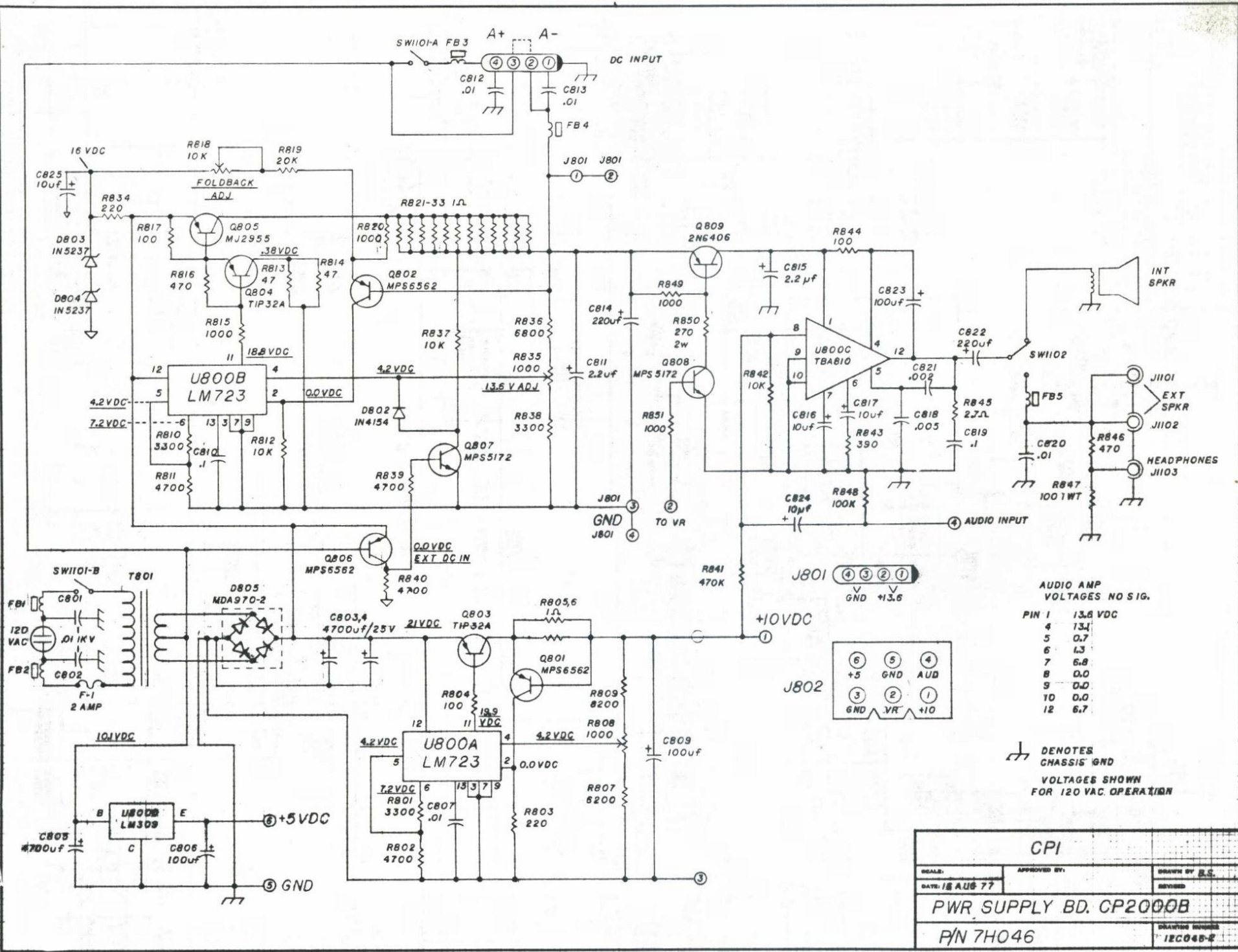
R/T 7HO16 BRD-COMPONENT SIDE







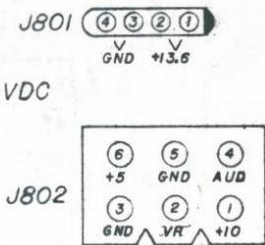
COMMUNICATIONS POWER INC.			
2407 CHARLESTON RD.			
MOUNTAIN VIEW CA 94043			
DATE	APPROVED BY	DRAWN BY MSS	
		REVISED	
SYNTHESIZED MASTER OSC. OF 20008			
REVISION		DRAWING NUMBER 120014-0	



AUDIO AMP VOLTAGES NO SIG.

PIN 1	13.6 VDC
4	13.4
5	0.7
6	1.3
7	6.8
8	0.0
9	0.0
10	0.0
12	6.7

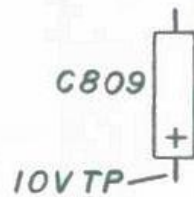
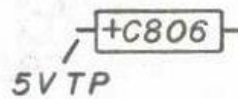
⏏ DENOTES CHASSIS GND
VOLTAGES SHOWN FOR 120 VAC OPERATION



CPI		
SCALE:	APPROVED BY:	DRAWN BY: B.S.
DATE: 18 AUG 77		REVISED
PWR SUPPLY BD. CP2000B		
P/N 7H046		
DRAWING NUMBER		12C085-2

PWR SUPPLY 7H046 BRD - COMPONENT SIDE

○ 13.6V TP



CURRENT
FOLDBACK

ADJ



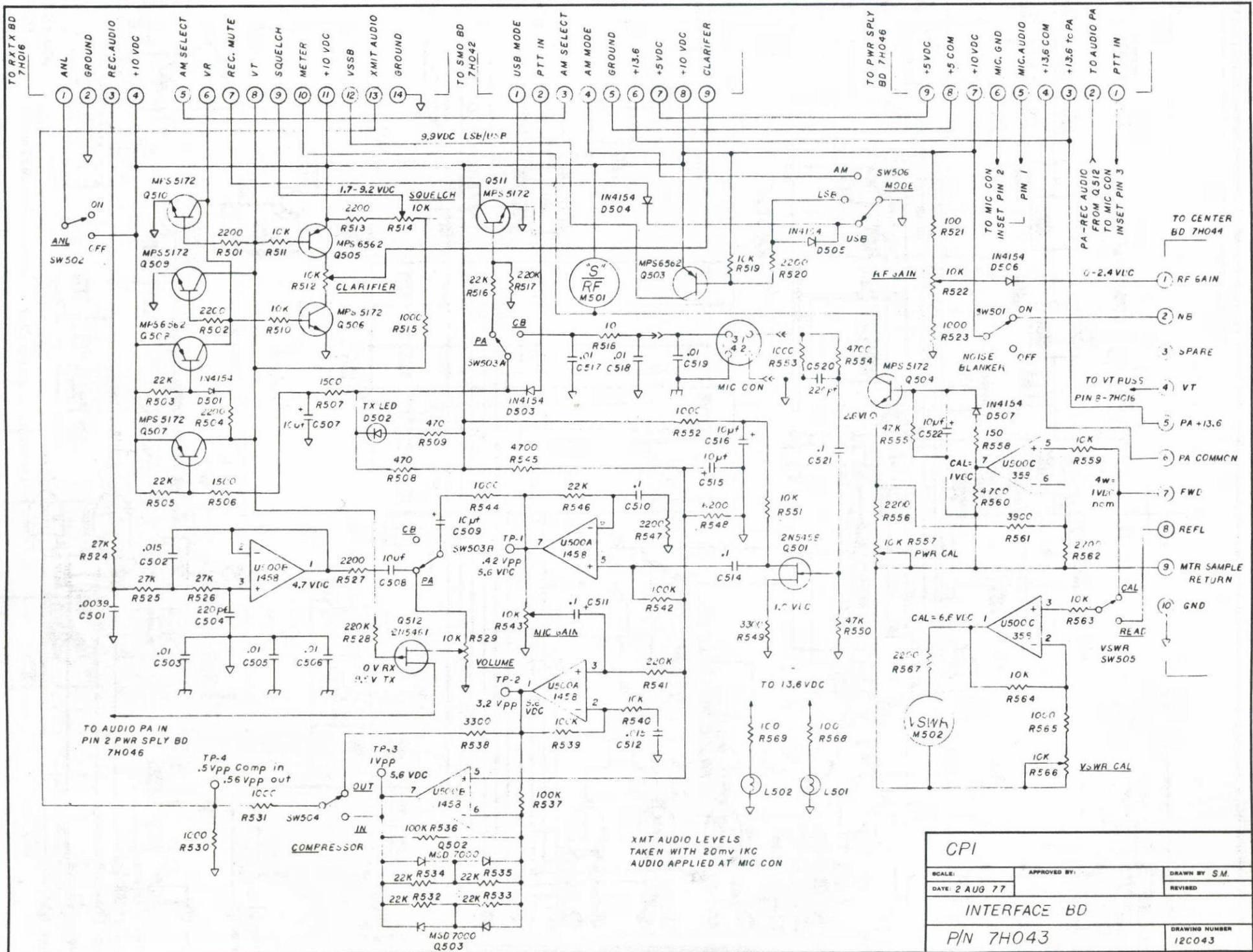
13.6V TP



+13.6V
ADJ



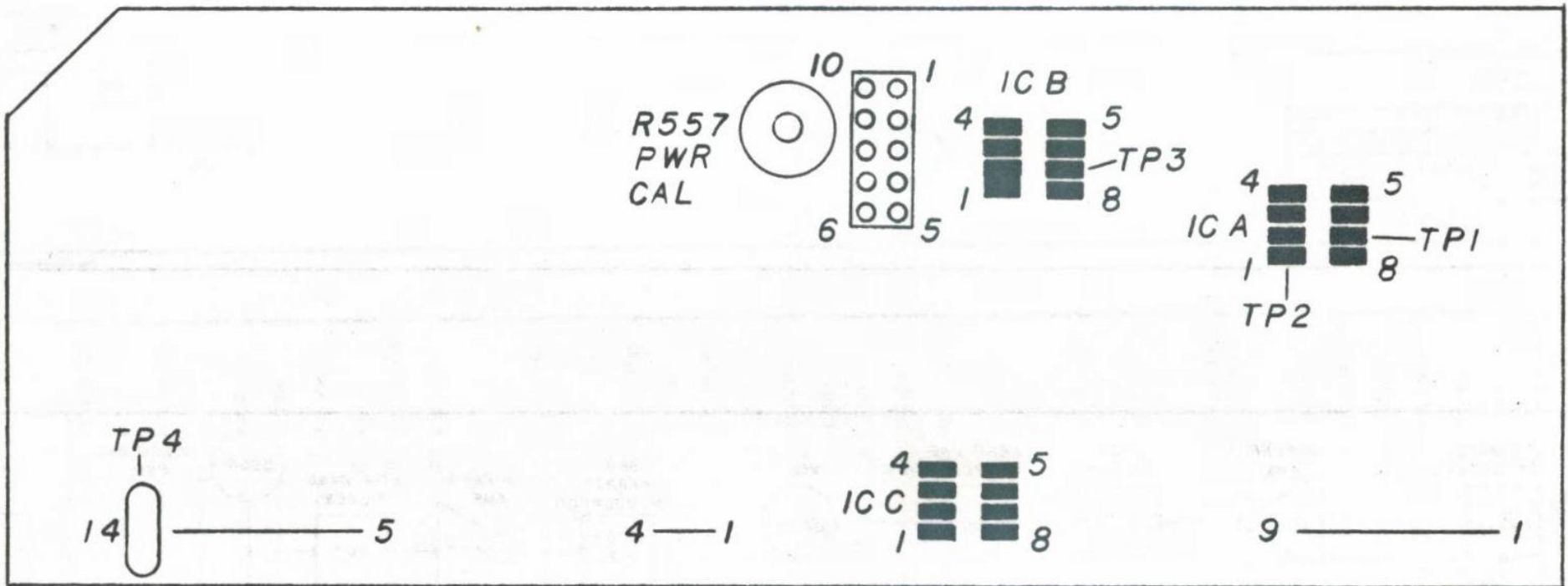
+10V
ADJ

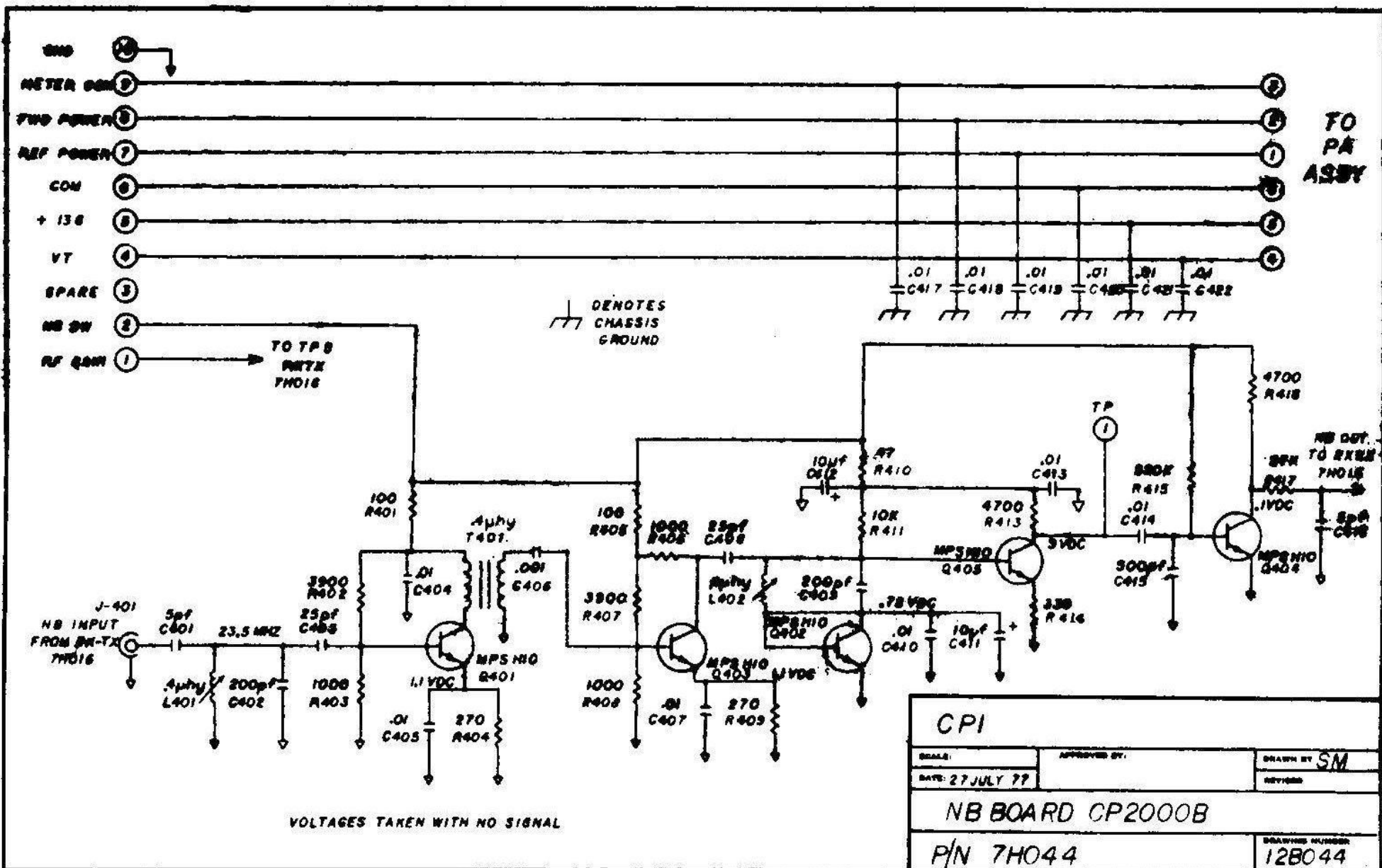


XMT AUDIO LEVELS
 TAKEN WITH 20mv 1K
 AUDIO APPLIED AT MIC CON

CPI		
SCALE:	APPROVED BY:	DRAWN BY S.M.
DATE: 2 AUG 77		REVISED
INTERFACE BD		
P/N 7H043		DRAWING NUMBER 12C043

INTERFACE 7H043 BRD REAR VIEW





NOISE BLANKER 7H044 BRD-COMPONENT SIDE

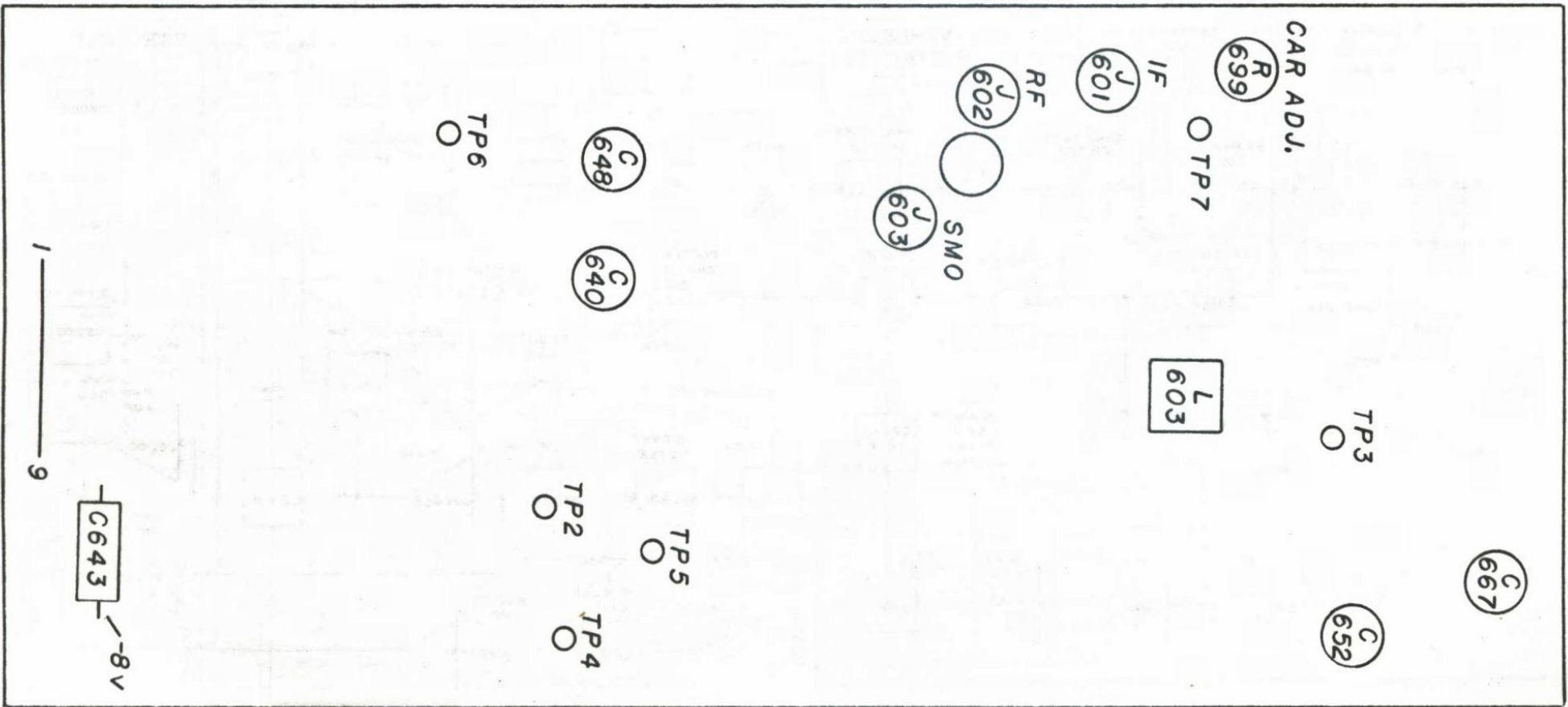
L
401

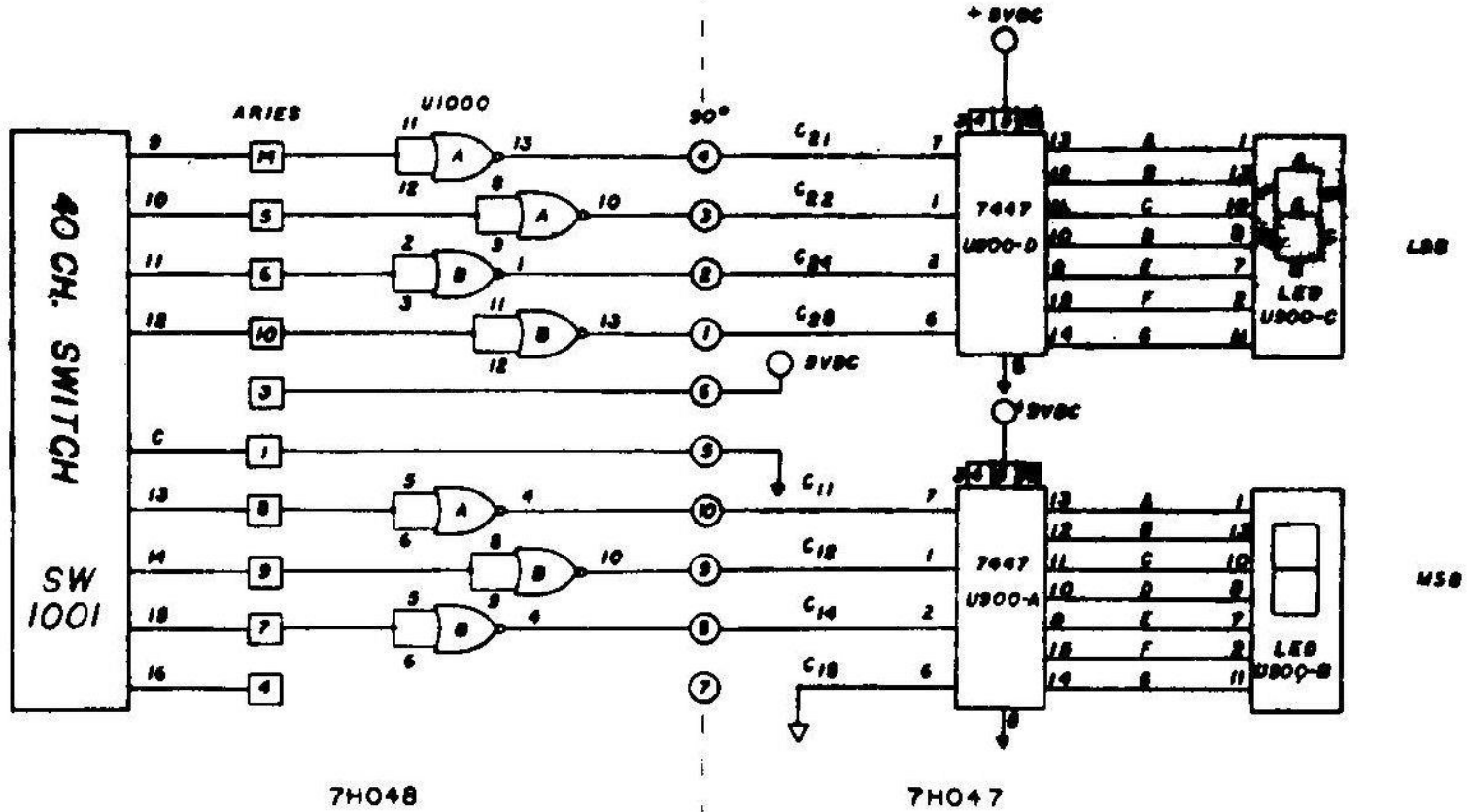
J
401

L
402

○
TPI

SMO 7H042 BRD - COMPONENT SIDE





CPI		
DATE	APPROVED BY:	DRAWN BY SM
DATE: 21 JUNE 77		REVISED
SWITCH / DISPLAY CP 2000B		
7H047 / 7H048		ORIGINAL NUMBER 12B047-0