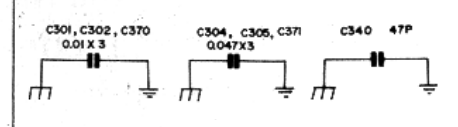
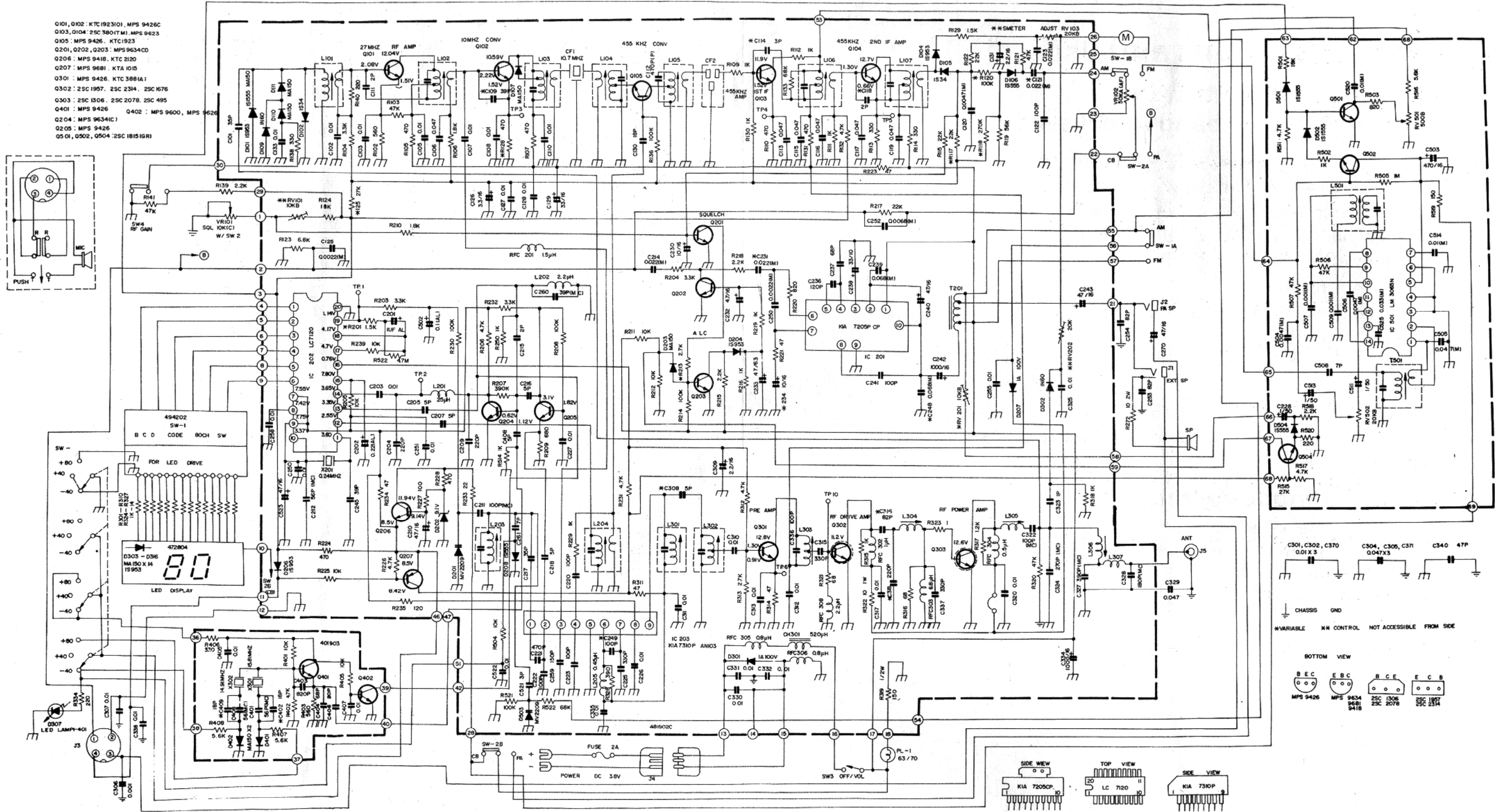
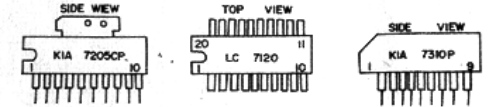
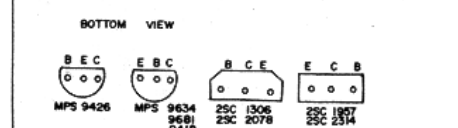


- Q101, Q102 : KTC1923(01), MPS 9426C
- Q103, Q104 : 2SC3801(T.M), MPS 9623
- Q105 : MPS 9426C, KTC1923
- Q201, Q202, Q203 : MPS 9634CD
- Q206 : MPS 9418, KTC 2120
- Q207 : MPS 9681, KTA 1015
- Q301 : MPS 9426C, KTC 388(A1)
- Q302 : 2SC1957, 2SC 2314, 2SC1676
- Q303 : 2SC1506, 2SC 2078, 2SC 495
- Q401 : MPS 9426C
- Q402 : MPS 9600, MPS 9626C
- Q204 : MPS 9634(C1)
- Q205 : MPS 9426C
- Q501, Q502, Q504 : 2SC1815(GR)



CHASSIS GND  
 \*VARIABLE    \*M CONTROL    NOT ACCESSIBLE FROM SIDE



# SCHEMATIC DIAGRAM