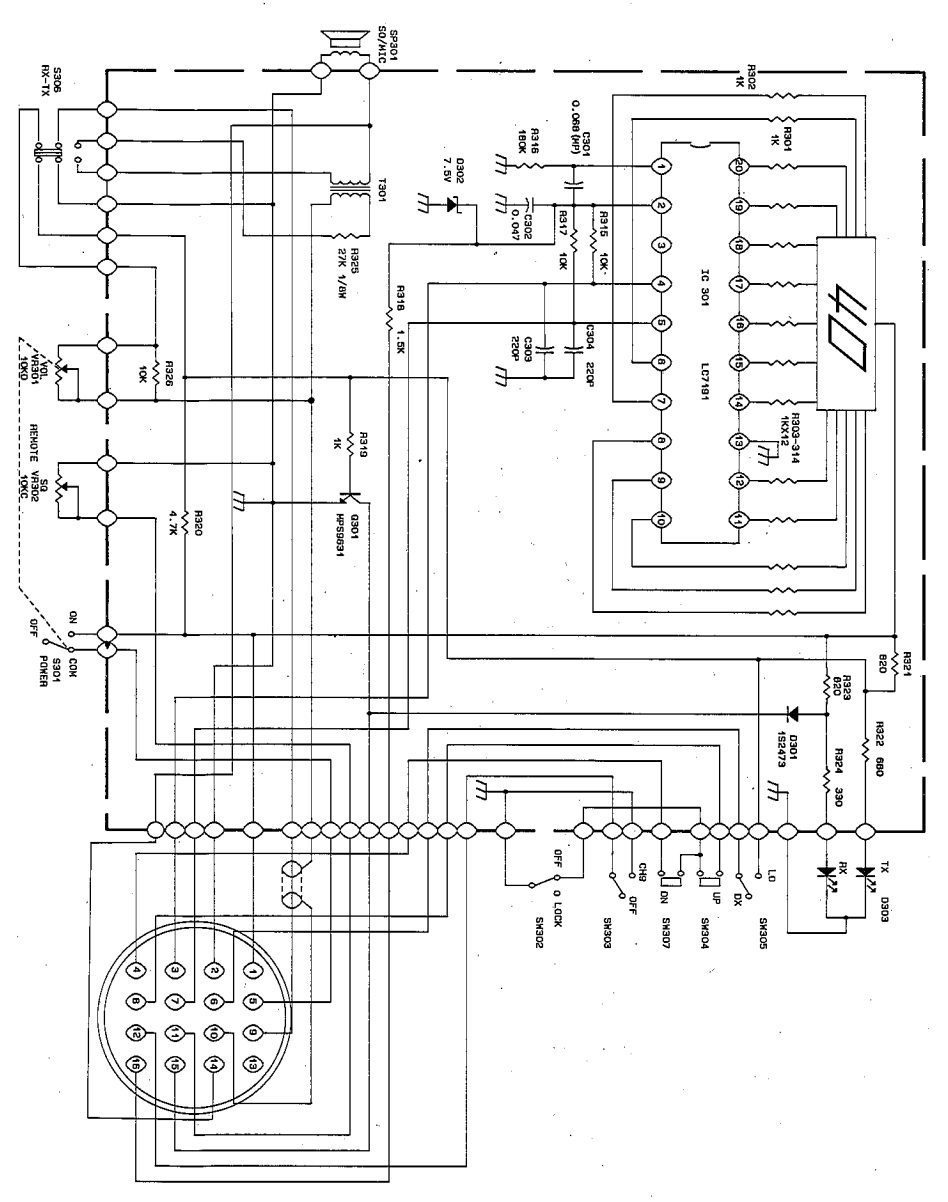
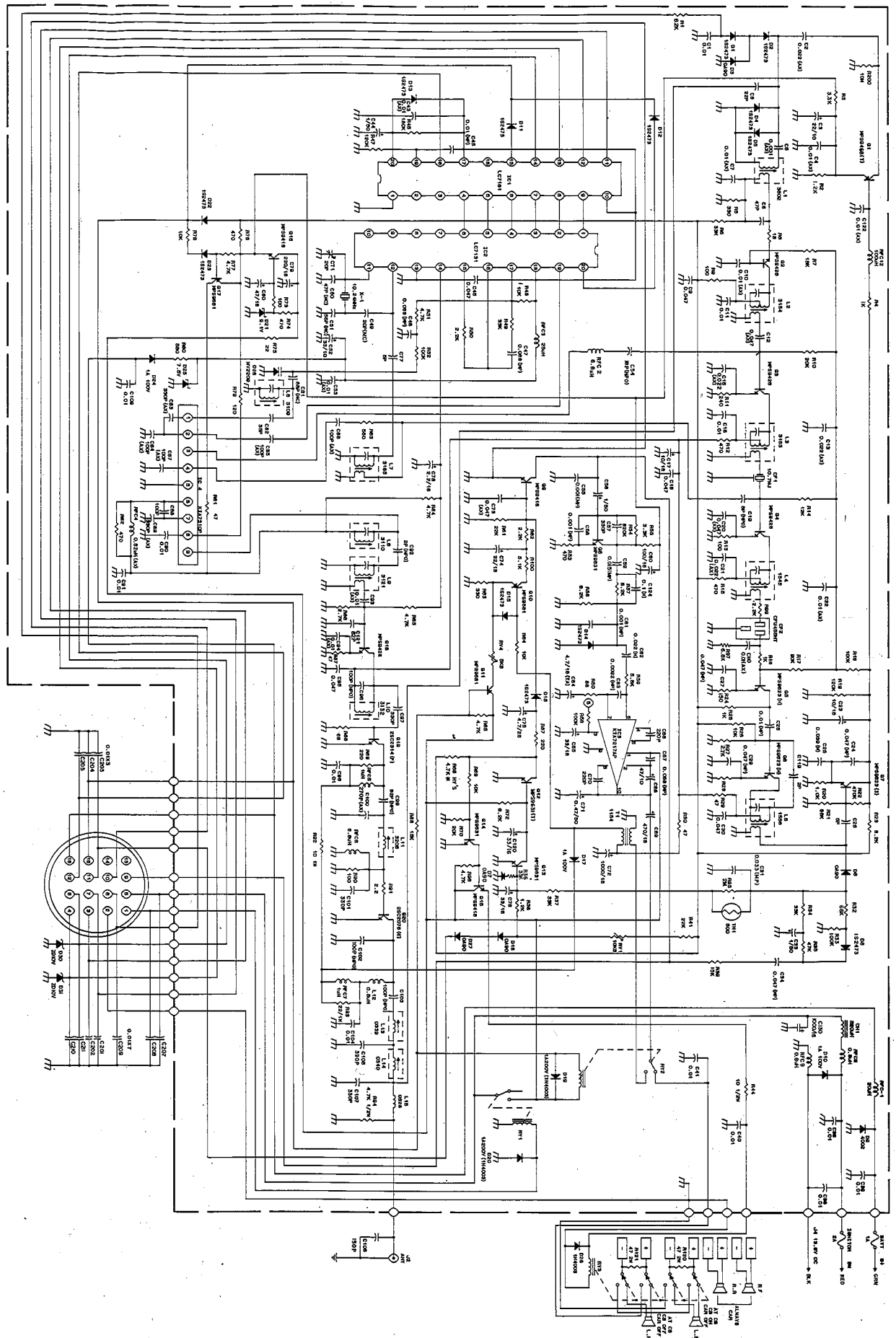


SCHEMATIC DIAGRAM



943136A
Printed in Korea

BILL OF MATERIAL FOR 71LTD

REFERENCE	PART NAME & DESCRIPTION	DYNASCAN P/N	REFERENCE	PART NAME & DESCRIPTION	DYNASCAN P/N	REFERENCE	PART NAME & DESCRIPTION	DYNASCAN P/N
MIC BKT MTG	Packing Ass'y		TH1	Thermistor 500 ohm				
SET BKT MTG	(+) Tapping Screw (B.H) 3x8-25 Zn-Plate		C71	Capacitor Elect 0.47F 50V SM(M):5x11				
MIC BKT MTG	(+) Tapping Screw (T.H) 4x12-2S BLK		C33,44,56,120	Capacitor Elect 1uF 50V SM(M):5x11		Main PCB MTG:4	Molex Connector 5273-04A (Large)	
SET BKT MTG	Washer (Lock "B" Type) M3 Zn-Plate		C17,23	Capacitor Elect 10uF 18V SMS(M):5x11		SUB PCB MTG:2	Bushing (For T.R 2SC2314)	
	Washer (Lock "B" Type) M4 Zn-Plate		C60	Capacitor Elect 100uF 18V SMS(M):5x11.5			(+) Tapping Screw (B.H) 3x6-2S Zn-Plate	
	Bracket (MIC) SPC 58x41x1 Cr-Plate		C37,72,123,130	Capacitor Elect 1000uF 16V SMS(M):10x20			Wire BS Cover Ass'y	
	Hanger (SET MTG) PE BLK		C78	Capacitor Elect 2.2uF 50V SM(M):5x11		JP3-JP3 0.5:0.5	Wire 1007 AWG 26(7/0.16) BLK	
	Wire Clamp (Cord) Nylon		C3,74	Capacitor Elect 22uF 16V SM(M):5x11		JP2-JP2 0.5:0.5	Wire 1007 AWG 26(7/0.16) RED	
	Box Inner SW1 326(W)x250(D)x75(H)		C79	Capacitor Elect 220uF 16V SMS(M):8x11.5		JP1-JP1 0.5:0.5	Wire 1007 AWG 26(7/0.16) ORG	
	Box Out DW1 517(W)x335(D)x415(H)		C52,65,76	Capacitor Elect 33uF 16V SM(M):5x11		JP8-JP8 0.5:0.5	Wire 1007 AWG 26(7/0.16) BLU	
	Box Snow Styrofoam 326(W)x250(D)x75(H)		C75	Capacitor Elect 4.7uF 50V SM(M):5x11		JP10-JP10 0.5:0.5	Wire 1007 AWG 26(7/0.16) GRN	
	PAO Styrofoam 228x304x113		C68	Capacitor Elect 47uF 10V SM(M):5x11			Wire Base Main PCB Ass'y	
Accessory	Polybag P.P 100x150x0.05		C80	Capacitor Elect 47uF 16V SM(M):6.3x11		J6-J6 2:2	Wire 1007 AWG 24(1/0.51) BLK	
Remote	Polybag P.P 150x200x0.05		C89	Capacitor Elect 470uF 18V SMS(M):10x12.5		J1-J4 2:2	Wire 1007 AWG 24(1/0.51) RED	
Remote Cord	Polybag P.P 200x200x0.05		C124	Capacitor Mylar 0.1uF 50WV ±10% Mini Size		J2-J7 2:2	Wire 1007 AWG 24(1/0.51) ORG	
Manual	Polybag P.P 200x250x0.05		C52	Capacitor Mylar 0.022uF 50WV ±5% Mini Size		J3-J9 2:2	Wire 1007 AWG 24(1/0.51) YEL	
Base	Manual Instruction		C42	Ceramic 0.001uF 50WVZ "F"		J5-J5 2:2	Wire 1007 AWG 24(1/0.51) GRN	
MIC Packing	Card Warning			Ceramic 0.01uF 50WV (H) (B):2 "F"			Remote Cover Ass'y	
	Card Registration		C1,11,16,36,38,39				Line Cord Ass'y 1500 1SH SW-1457	
	Card Board		40,41,90,91,98,104				(+) Machine Screw (R.H) 1.7x6 Zn-Plate	
	Schematic Diagram		109,203,204,205,207				(+) Machine Screw (B.H) 2x14 BLK	
	Card Installation Paper 120x80		208,209,210,211				(+) Tapping Screw (B.H) 2.6x8-1S Zn-Plate	
	Label Caution 2A Sticker 40x28x0.02		C5	Ceramic Axial 0.001uF:UPO50B102MK			(+) Wood Screw (R+F.H) 2.7x14 Ni-Plate	
	Label Caution 1A PE 40x28		C4,7,10,22,43,53	Ceramic Axial 0.01uF:EP050Y103MM			(+) Wood Screw (R+F.H) 2.7x16-1S Ni-Plate	
	Label Wire Battery Paper 60x12		93,94,122				Nut BSBM M2	
	Label Wire Ground Paper 60x12		C2,13,15,21	Ceramic Axial 0.022uF:RH050F23Z			Washer Fiber ø8xø3.2x0.4t	
	Label Wire to SW, ACC, Ter Paper 60x12		C9,19,30,46,95	Ceramic 0.047uF 50WV:M "X"			Washer (Flat) SPCC 2Dia x 8.5Dia x 0.8t Zn-Plate	
	Label Radio Sticker Polyester 60x12		110,111,112,113,114				Washer Spring M2 Zn-Plate	
	Label Speaker Sticker Polyester 60x12		115,116,117,118,119				Cover Upper ABS BLK Spray Silk	
	Base Main Body Ass'y		131,132,133,134				Cover Bottom ABS Black Spray Silk	
	Ceramic 0.047uF 50WV:M "X"		C12,20,73				Bracket (Cord) SPC 6x25x0.8 Cr-Plate	
	Ceramic 180pF 50WV:K "SL"		C88				Holder Aldc BLK	
	Transistor 2SC2078(E)		C96,102,103				Holder (Wire) PVC BLK	
	Transistor 2SC2314(F)		C84,85,86,87				Lever ABS BLK-Spray Silk	
	I.C KIA7217AP		C54				Grille Plate	
	Jack Earphone SHO8384-01-110		C119				Lens (Large) Vinyl t2 Smoke	
	Earphone Jack SHO8334-01-020		C92				Lens (Small) Vinyl 22x15x11 ORG	
	Connector Plug SW-1456 FM-16P-R		C6				Knob (Vol.) ABS 94HB BLK	
	Connector CH-239(A) SW-1229		C66				Sessaw Knob ABS Black	
	Mica (For T.R 2SC2078)		C70				Knob (SQ.) ABS 94HB BLK	
	Mica (For T.R 2SC2314)		C100				Shaft (Sessaw SW Knob) BSBM 2Dia x 21	
	Mica (For I.C KIA7217AP)		C57,97,101,107				Spring (SES SW Knob) SWRS 1N Dia	
	Bushing (For T.R 2SC2078)		C83,89				7.6Dia x 12 x 0.5 Dia	
	Bushing (For I.C KIA7217AP)		C82				Rubber Sponge ø20x13	
	Line Cord Ass'y 1500 1SH SW-1458		C105				Felt 7.5(2) x 16(2.5) x 0.3 Felt	
	(+) Machine Screw (B.H) 3x8 BLK		C8				Felt 50x58x0.5 Felt BLK	
	(+) Tapping Screw (B.H) 3.5x6-2S BLK		C26,77				Resistor Metallfilm 27k ohm 1/8W ±5% "F"	
	(+) Tapping Screw (B.H) 3x6-2S BLK		C19				LED Lamp SPR54MUW 3	
	(+) Tap Tit Screw (B.H) 3x6 BLK		C121				LED Display LTD-482LLC GRN	
	Nut SS41 M3-1S Zn-Plate		C99				Transformer Matching	
	Washer (Spring) M3 Zn-Plate		C64				P.C.B SW 28x17x1.6t	
	Rivet Blind ALB ø3.2		C49				Speaker C09A20-305G00 16 ohm	
	Body Front EGI t1 BLK Sandton		C60				Slide S.W SS122P-06P 2P-IC	
	Cover Bottom SPC Vinyl Sheet 0.8 BLK		C51				Push S.W SKD9791-01-130 2P-2C	
	Cover Upper SPC Vinyl Sheet 0.8 BLK		C81				Touch EVO-QJW-02K EVZ-Q7302K	
	Bracket SPC t1 BLK Sandton		CT1				Variable Resistor (VR) 121PN2-2 1.2C 10KC	
	Bracket (SET) SPC t1.6 BLK Sandton		C28,45				Variable Resistor (VR) VR121P-S2(B) D10K	
	Holder (ANT MTG) SPTE 29x35x0.3 Ni-Plate		C65,58,61				RT Main PCB No Common Ass'y	
	Heat Sink (IC MTG) ALP 30x18x12		C63				Resistor Metallfilm 1k ohm 1/8W ±5% "F"	
	Heat Sink ALP3 12		C31,59				Resistor Metallfilm 330 ohm 1/8W ±5% "S"	
	Name Plate ALP3 22x38x0.4		C25				Resistor Metallfilm 680 ohm 1/8W ±5% "S"	
	Base Main PCB Ass'y		C24,27,29,34				Resistor Metallfilm 820 ohm 1/8W ±5% "S"	
	Resistor Metallfilm 100 ohm 1/8W ±5% "S"		C47,48,67				Resistor Metallfilm 10k ohm 1/8W ±5% "S"	
	Resistor Metallfilm 1k ohm 1/8W ±5% "S"		Q2,3,4,18				Resistor Metallfilm 1.5k ohm 1/8W ±5% "S"	
	Resistor Metallfilm 10k ohm 1/8W 5% "S"		Q10,11,17				Resistor Metallfilm 180k ohm 1/8W ±5% "S"	
	Resistor Metallfilm 100k ohm 1/8W 5% "S"		Q9,15,16				Resistor Metallfilm 4.7k ohm 1/8W ±5% "S"	
	Resistor Metallfilm 10M ohm 1/8W 5% "S"		Q5,6				Resistor Metallfilm 1k ohm 1/2W ±5% "S"	
	Resistor Metallfilm 120 ohm 1/8W 5% "S"		Q7				Mini Size	
	Resistor Metallfilm 1.2k ohm 1/8W 5% "S"		Q8,12,13,14				Ceramic 0.047uF 50WV:M "X"	
	Resistor Metallfilm 12k ohm 1/8W 5% "S"		Q1				Ceramic 220pF 50WV:K "B"	
	Resistor Metallfilm 120k ohm 1/8W 5% "S"		IC4				M.P. Capacitor 0.068uF 50WV ±10%	
	Resistor Metallfilm 15k ohm 1/8W ±5% "S"		IC2				Transistor MPS9631(T)	
	Resistor Metallfilm 18 ohm 1/8W ±5% "S"		IC1				Diode Zener 7.5V	
	Resistor Metallfilm 180k ohm 1/8W ±5% "S"		D25				Diode Zener UZ9.1B	
	Resistor Metallfilm 180k ohm 1/8W ±5% "S"		D21				Diode Varicap MV2209	
	Resistor Metallfilm 20k ohm 1/8W ±5% "S"		D26				Diode SI 1S2473	
	Resistor Metallfilm 22 ohm 1/8W ±5% "S"		D4,5,6,11,12,13				Diode 1S2473 "F" Type	
	Resistor Metallfilm 220 ohm 1/8W ±5% "S"		14,15,16				Diode GE OA90	
	Resistor Metallfilm 2.2k ohm 1/8W ±5% "S"		D1,2,22,23				Diode SI 1N4002	
	Resistor Metallfilm 22k ohm 1/8W ±5% "S"		D3,6,7,16,27				Diode SI 1N4003 (1A 200V)	
	Resistor Metallfilm 2.2 ohm 1/8W ±5% "S"		D9,10,17,24,28,29				Crystal 10.240MHz HC-18/U	
	Resistor Metallfilm 240 ohm 1/8W ±5% "S"		D19,20				Ceramic Filter CFU 455HT	
	Resistor Metallfilm 2.7k ohm 1/8W ±5% "S"		X1				Ceramic Filter SFE 10.7MJ-M	
	Resistor Metallfilm 330 ohm 1/8W ±5% "S"		CF2				Transformer Choke	
	Resistor Metallfilm 3.3k ohm 1/8W ±5% "S"		CF1				Transformer OPT EI-24	
	Resistor Metallfilm 33k ohm 1/8W ±5% "S"		CH1				Coil Choke 1uH Bobbin	
	Resistor Metallfilm 390 ohm 1/8W ±5% "S"		RFC5				Coil RF Choke 20uH Core	
	Resistor Metallfilm 47 ohm 1/8W ±5% "S"		RFC7				Coil RF Choke 0.5uH Spring	
	Resistor Metallfilm 470 ohm 1/8W ±5% "S"		L12				Inductor 25uH Mold Type	
	Resistor Metallfilm 4.7k ohm 1/8W ±5% "S"		RFC8,9				Inductor 0.45uH Mold Type	
	Resistor Metallfilm 47k ohm 1/8W ±5% "S"		RFC3				Coil Choke 4uH Bobbin Type	
	Resistor Metallfilm 470k ohm 1/8W ±5% "S"		RFC4				Coil Axial LAL04TB101K:100uH	
	Resistor Metallfilm 5.1k ohm 1/8W ±5% "S"		RFC2				Coil Axial LAL03TB88K:6.8uH	
	Resistor Metallfilm 560 ohm 1/8W ±5% "S"		RFC12				Coil AM TX ANT 27MHz A	
	Resistor Metallfilm 5.6k ohm 1/8W ±5% "S"		RFC6				Coil AM IFT 27MHz TX ANT Tuning-C	
	Resistor Metallfilm 56k ohm 1/8W ±5% "S"		L15				Coil IFT 455KHz-A	
	Resistor Metallfilm 68 ohm 1/8W ±5% "S"		L13				Coil IFT 455KHz-B	
	Resistor Metallfilm 68k ohm 1/8W ±5% "S"		L14				IFT VCO OSC	
	Resistor Metallfilm 8.2k ohm 1/8W ±5% "S"		L16				IFT 27MHz RF AMP-A	
	Resistor Metallfilm 82k ohm 1/8W ±5% "S"		L17				IFT AM AMP 27MHz C	
	Resistor Metallfilm 82k ohm 1/8W ±5% "S"		L18				IFT 27MHz TX RF PRE AMP	
	Resistor Metallfilm 820k ohm 1/8W ±5% "S"		L9				27MHz RF AMP (RX)	
	Resistor Metallfilm 90k ohm 1/8W ±5% "S"		L10				Coil RF 10.6MHz 03202926ER(RX)	
	Resistor Metaloxide 10 ohm 1W ±5%		L2				27MHz RF-C (TX)	
	Resistor Metaloxide 22 ohm 2W ±5%		L3,7				27MHz RX ANT A	
	Resistor Metallfilm 10 ohm 1/2W ±5% "S"		L11				PCB Ass'y 197x98x1.6t	
	Resistor Metallfilm 4.7k ohm 1/2W ±5% "S"		L1				P.C.B SUB 98x46x1.6t	
	Resistor Metallfilm 4.7k ohm 1/2W ±5% "S"						P.C.B Main 150x98x1.6t	
	Resistor Solid RSI-1 22 ohm 1W ±5% "S"						Relay MZ-12HS	
	Resistor Semifixed 10K "H":RVM083H						Relay SF4T12A	
	Resistor Semifixed 5k ohm "H":RVM083H						Waffer 53014-0610 2MM Pitch	
							Waffer 53014-0910 2MM Pitch	