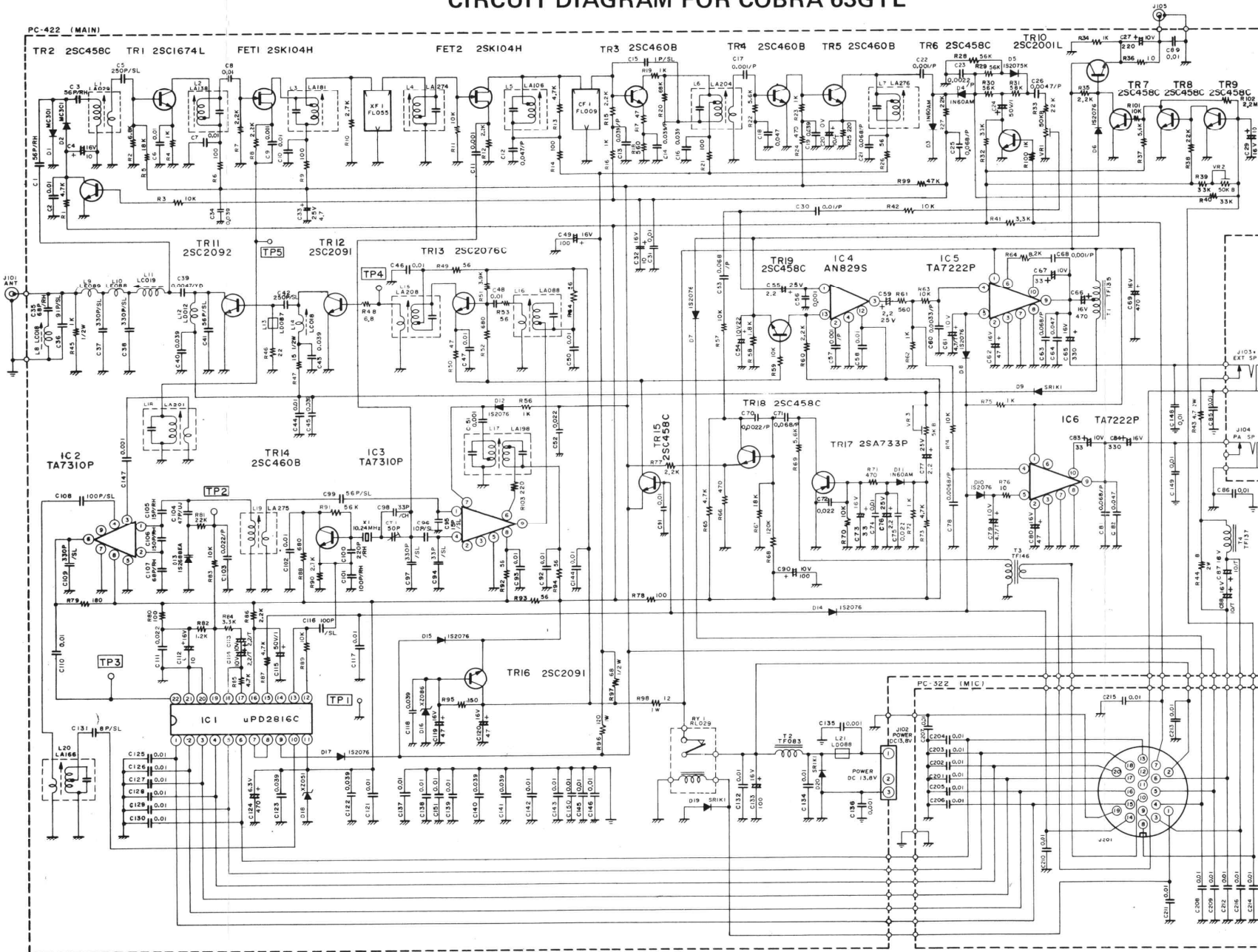


CIRCUIT DIAGRAM FOR COBRA 63GTL



- NOTES:
1. RESISTANCE VALUES ARE SHOWN IN OHMS UNLESS OTHERWISE NOTED. (K = 1,000 OHMS M = MEC OHMS)
 2. RESISTOR WATTAGES ARE 1/4 W UNLESS SPECIFIED.
 3. CAPACITANCE VALUES ARE INDICATED IN MICROFARADS UNLESS OTHERWISE SPECIFIED. (P = MICRO-MICROFARADS)
 4. ALL CAPACITORS TEMPERATURE CHARACTERISTICS ARE YF UNLESS OTHERWISE NOTED.