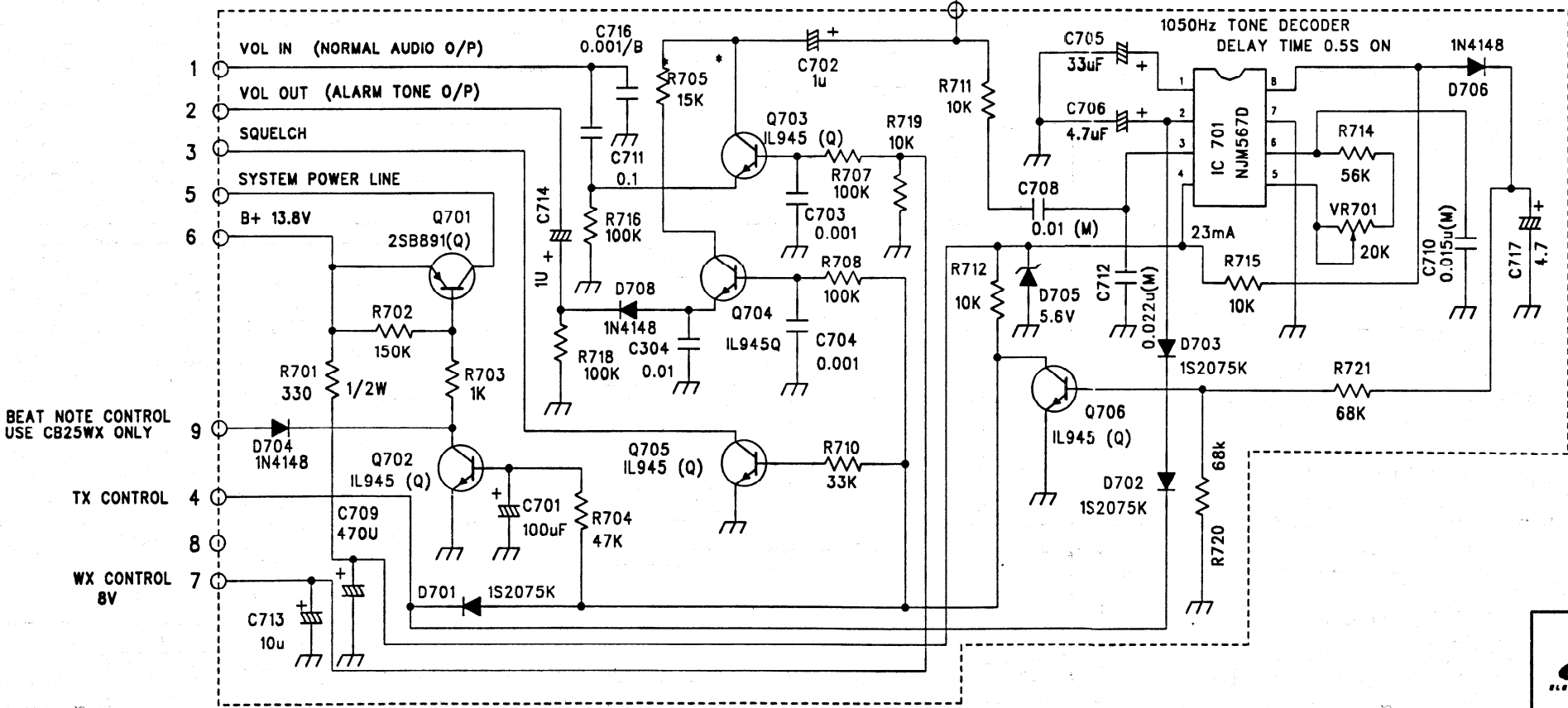


REVISION RECORD		
UPDATE TO ECN NO.	APPROVED:	DATE:
ECN-29WST-673		



- COMPANY:
- 1) ALL RESISTOR ARE 1/8W EXCEPT SPECIFIED
 - 2) C717 IS 4.7u DELAY TIME 0.8S
 - 3) C717 IS 3.3u DELAY TIME 0.5S

	TITLE: CIRCUIT DIAGRAM	DATE: 4/23/98	MDL: 20 WX ST
	PART NO./DRAWING NO.		PAGE 2 OF 2
6500 W. CORTLAND ST. CHICAGO, ILLINOIS 60707			