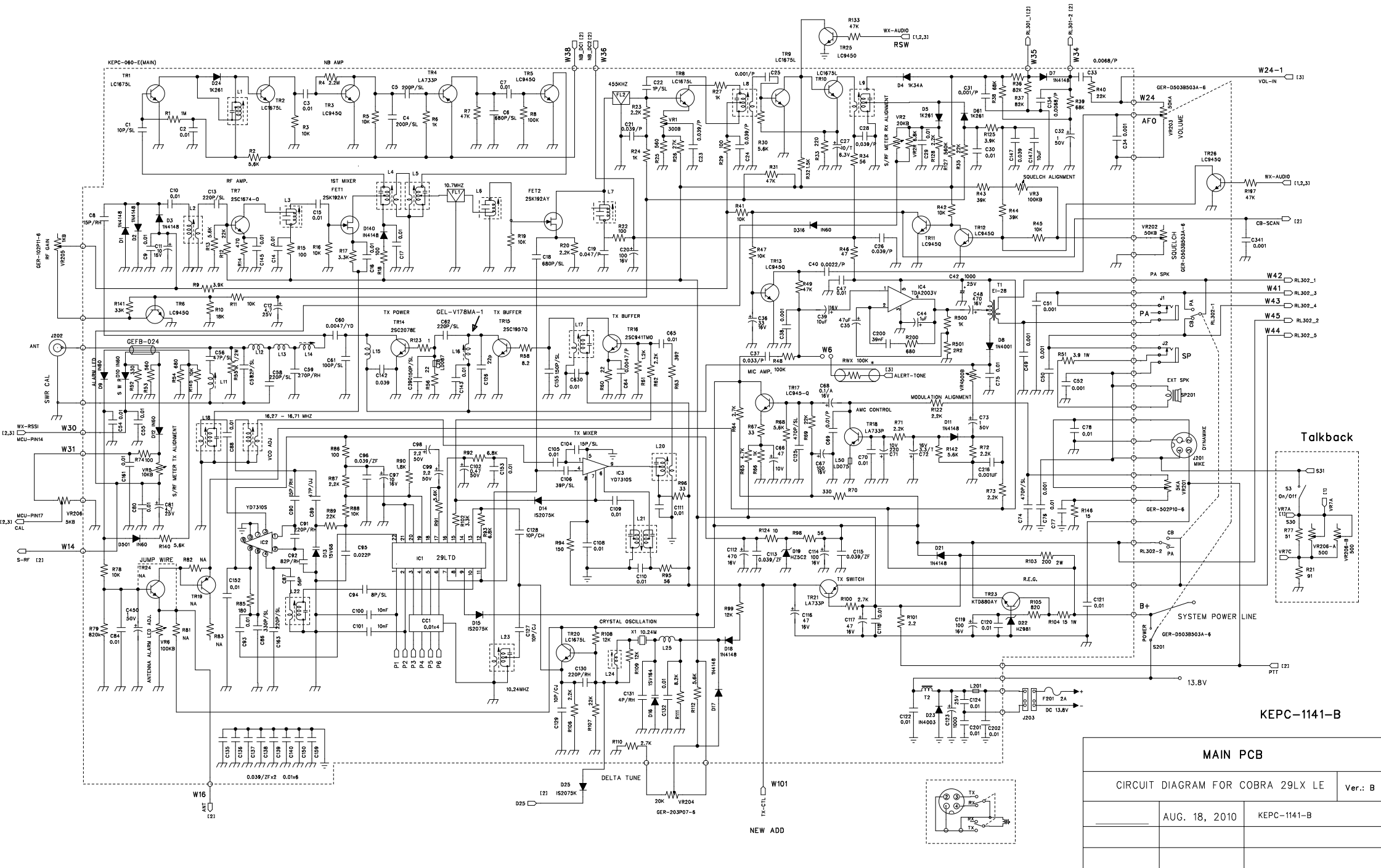


CIRCUIT DIAGRAM OF 29LX MAIN PCB (PAGE 1 OF 4)

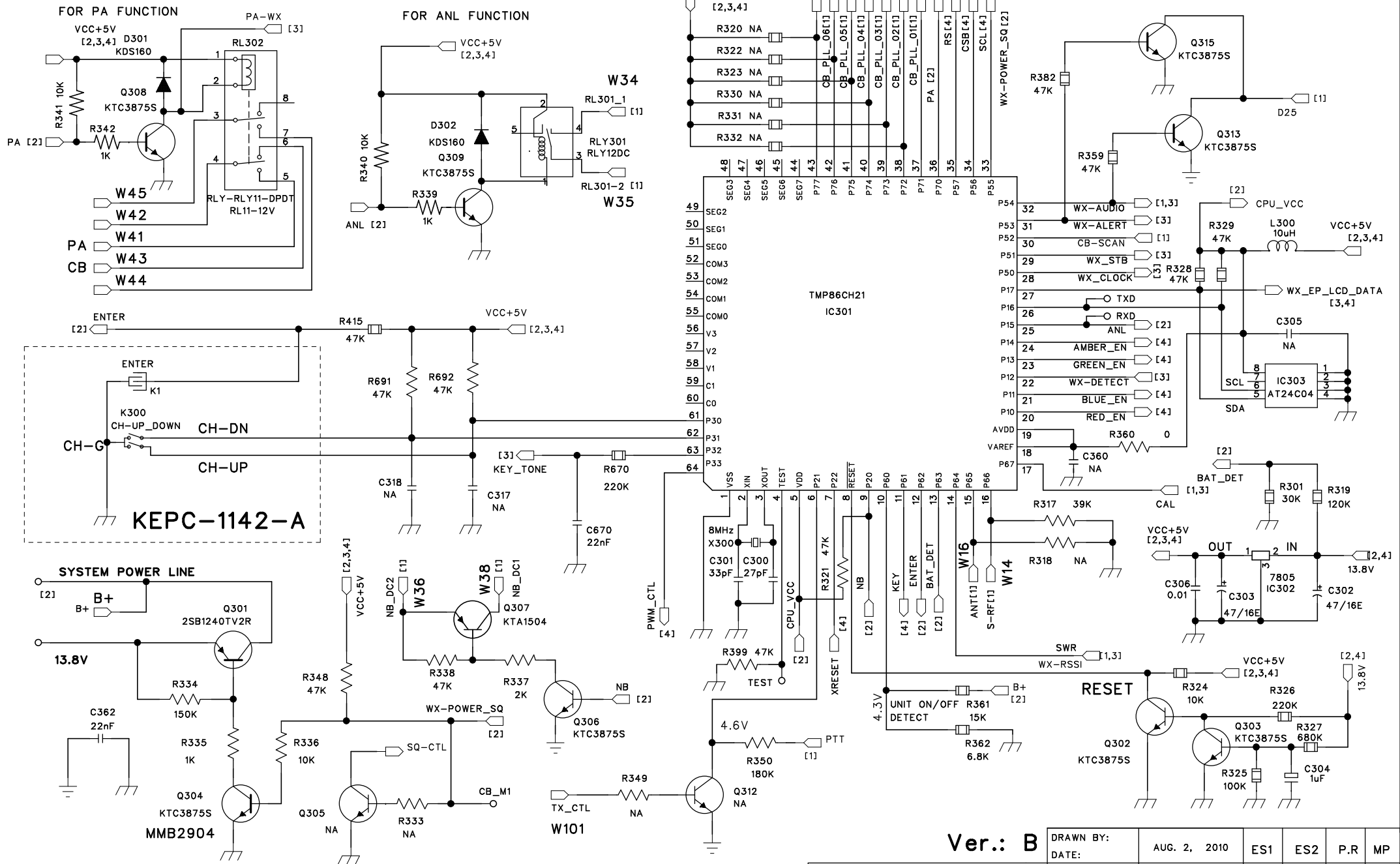


MAIN PCB	
CIRCUIT DIAGRAM FOR COBRA 29LX LE	
AUG. 18, 2010	KEPC-1141-B
Ver.: B	

NEW ADD

CIRCUIT DIAGRAM OF 29LX MCU PCB (PAGE 2 OF 4)

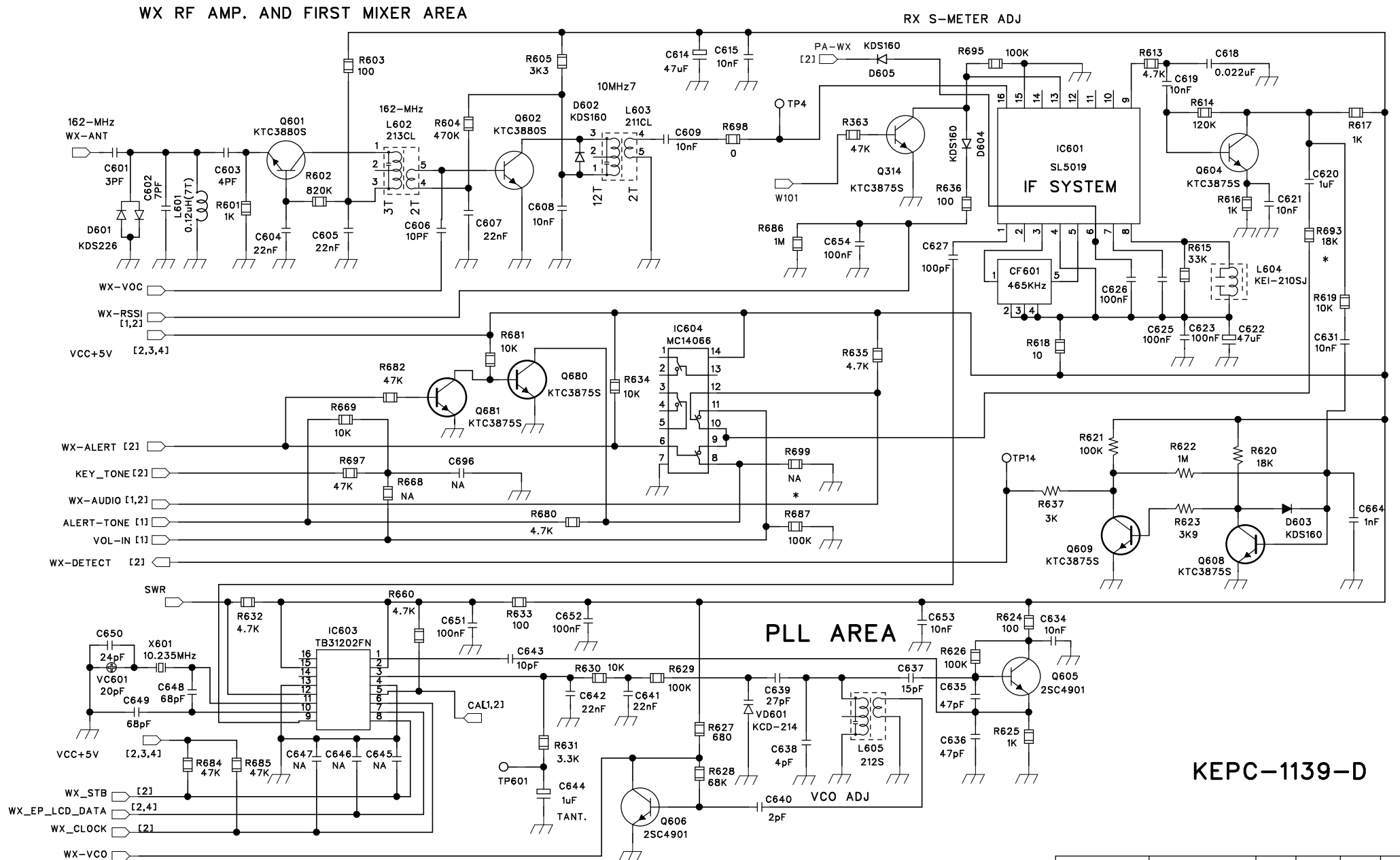
KEPC-1139-D



Ver.: B

DRAWN BY:	AUG. 2, 2010	ES1	ES2	P.R	MP
DATE:					
APPROVAL BY:					
DATE:					

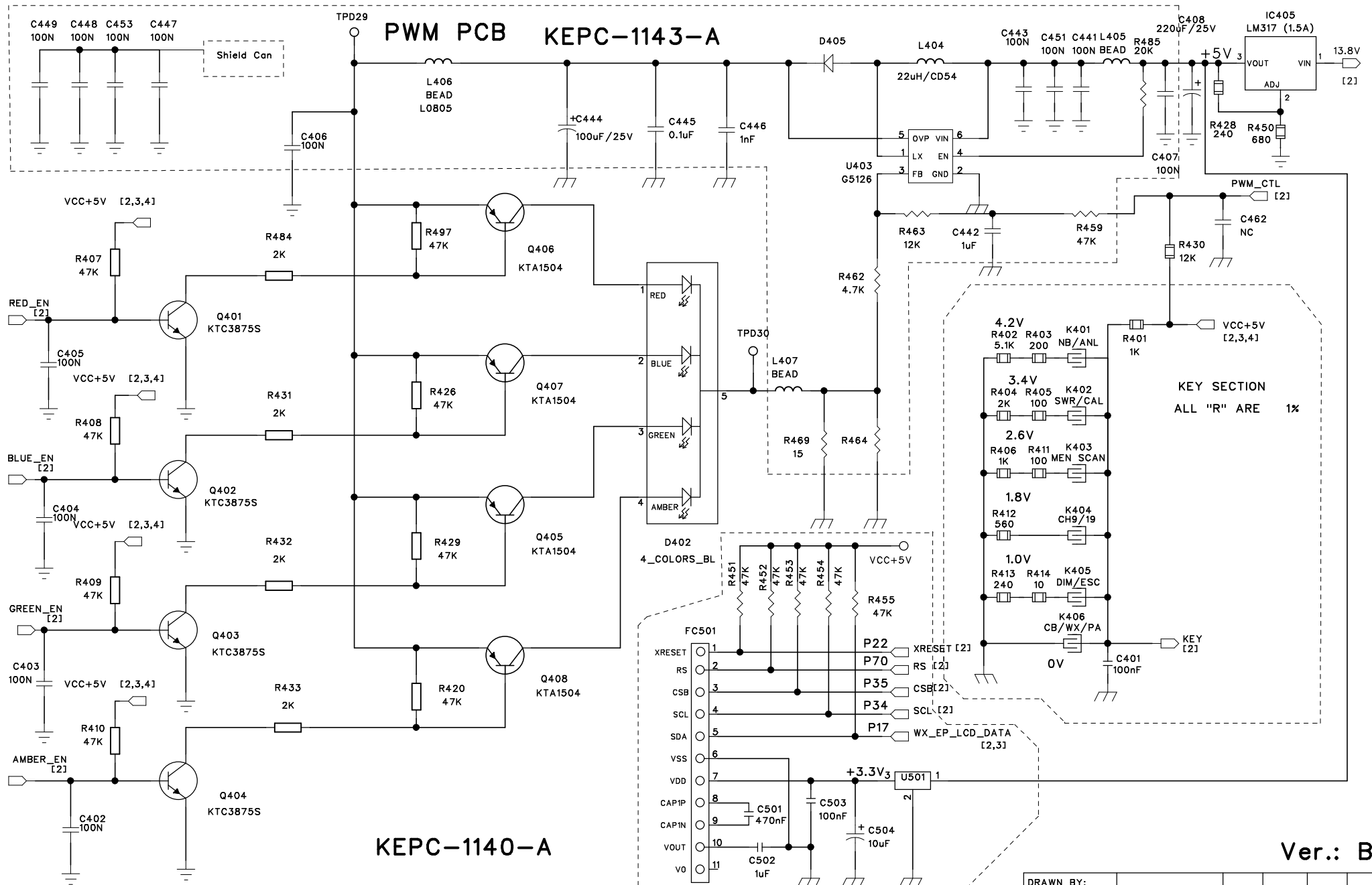
CIRCUIT DIAGRAM OF 29LX WX PCB (PAGE 3 OF 4)



Ver.: B

DRAWN BY:		ES1	ES2	P.R	MP
DATE:	AUG. 2, 2010				
APPROVAL BY:					✓
DATE:					

CIRCUIT DIAGRAM OF 29LX BACKLGHIT PCB (PAGE 4 OF 4)



Ver.: B

DRAWN BY:		ES1	ES2	P.R	MP
DATE:	AUG. 2, 2010				
APPROVAL BY:					
DATE:					