
Alignment of Noise Blanker Portion.**1: Equipment Required.**

- a: Pulse Generator (10nsec 50Hz & Output Impedance 50 ohm).
- b: Audio VTVM.
- c: Dummy Load (8 ohm 5 watts, resistive)
- d: DC Power Supply (13.8V, 2Amp.).

2: Procedure

Step	Generator Connection	Preset to	Audio VTVM	Adjustment	Remarks
1	To Ant connector J401 Channel 19	VOL:Max SQL:Min NB: ON ST: OFF	To EXT.SPK. Jack403	L19	Adjust for a min.Noise Output with Generator output level of 5VPP

Alignment of WX Portion:

1. Test Equipment Required.

- a. RF Signal Generator.
- b. Automatic Distortion Meter.
- c. Oscilloscope.
- d. Dummy Load (8 ohm 5 Watts, Resistive).
- e. Frequency Counter.
- f. Sinadder.
- g. DC Power Supply (13.8V, 2Amp.).

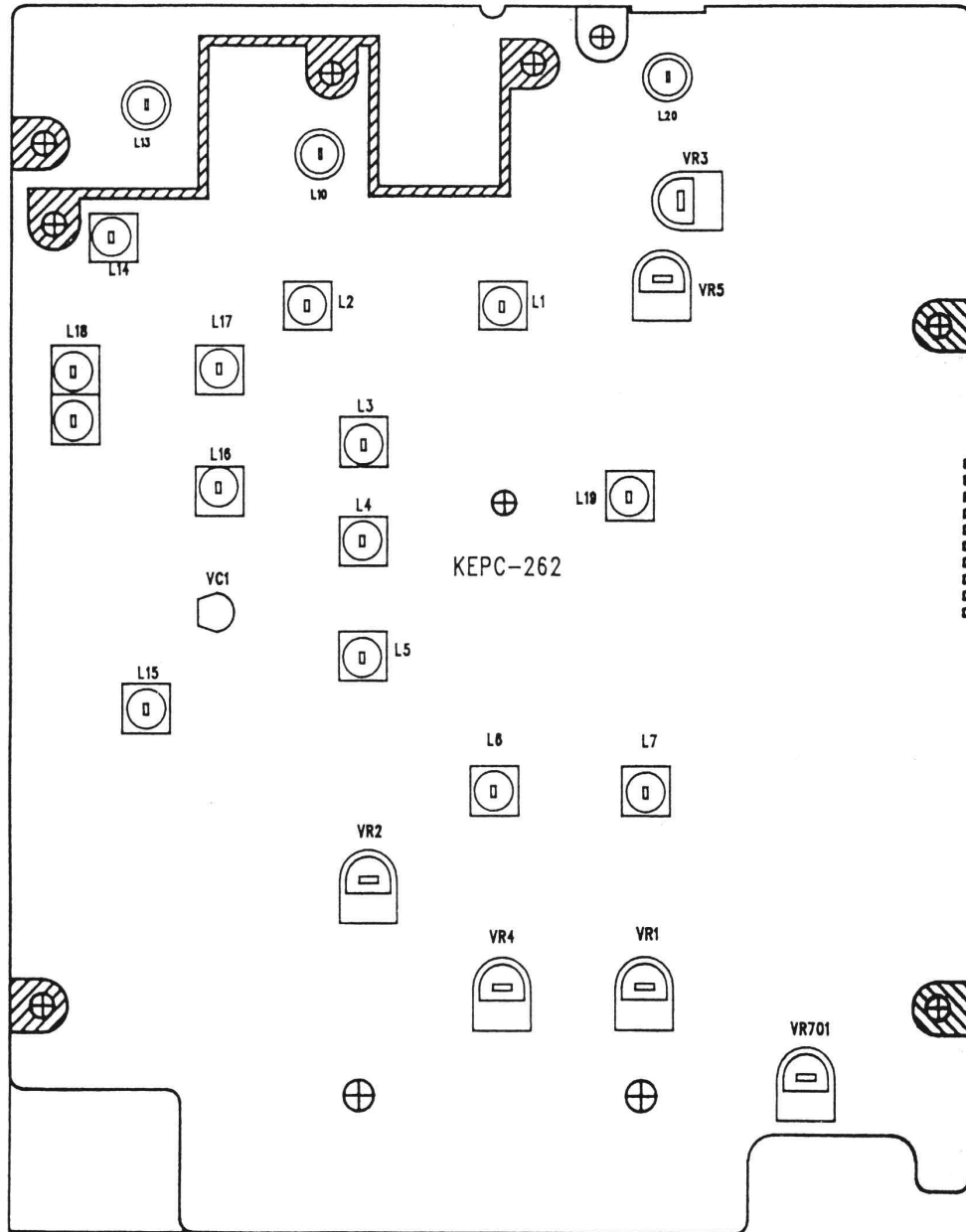
2. Alignment Procedure.

Step	Preset to	Adjustments	Procedure
1	CB-WX SW: WX Weather SW: 1 ST SW: on AF VR: Max. CW	L605	Set the RF Signal Generator on 162.400MHz with FM, INT 1KHz, 4KHz Dev. -47dBm Amplitude. Connect the Frequency Counter to the R612's lead side of R611, Adjust L605 for the 455KHz±300Hz.
2	Same as step 1.	L604	Adjust L604 to obtain Max. AF output (about 8V) on the Automatic Distortion Meter. Then turn the AF VR to 4.9V output, adjust L604 again to obtain min. distortion (less 4%).
3	Same as step 1.	CT601,602, 603,604, 605,606.	Set the Signal Generator on 162.425 MHz~162.550MHz corresponding to channel 2~7, separately, adjust trimmer of each channel to obtain min. distortion (less 4%).
4	Repeat step 1~3.		
5	Same as step 1.	L601,602	Set the Signal Generator on 162.475 MHz, Adjust L601, 602 to obtain max. SINAD on Sinadder, Repeat this step reducing the amplitude of signal generator.

25WST ALIGNMENT PROCEDURE

6	Same as step 1. Weather SW: 7. Power SW: off.	VR701	Set the Signal Generator on 162.550 MHz with FM, EXT 1050Hz, Dev. 4KHz, Amplitude -101dBm, Adjust VR701 until power on.
7	Same as step 1. Weather SW: 6.	L603	Set the Signal Generator on 97.7MHz with FM, INT 1KHz, Dev. 4KHz, Amplitude 13mV, Adjust L603 to obtain min. SINAD (less 12dB).

LOCATION OF COMPONENT TO BE TUNED TOP VIEW



25WX ST BOM

Item	Description	Qty	LOCATION
CA-73N	MIC UNIT (ALL)	1	
CA-73NC	MIC CASING (ALL)	1	
CA-73NCXXX	MIC CASING COMMON	1	
KEJ-163	MIC PLUG 4 PIN FOR COBRA	1	A:KEJ-033
KEJ-033	MIC PLUG 4 PIN M24	0	*
KEJW-SA26BK	STRAND WIRE UL1007 #26 BLACK	0.02	L=20mm
KEM-OT0702	SPONGY 38 OD x 26 ID x 5 THK	1	
KEM-OT7001	FELT DIA. 28	1	
KEM-OT9005	P.V.C. SLEEVE-CURL CORD	0.03	
KEM-P7001A	FRONT CABINET	1	E:548-G5128
KEM-P7001-01	FRONT CABINET W/O PRINTING	1	E:G5128
KEM-P7001A-Z	PRINTING FOR FRONT CABINET	1	E:G5128
KEM-P7002A	REAR CABINET	1	E:540
KEM-P7003A	MIC. BRACKET	1	E:540
KEM-P7103E	PTT SWITCH KNOB	1	E:572
KEM-P7107B	HANGING KNOB	1	E:566-G5189
KEM-TS2606B1N	TAPPING SCREW B/HD T2.6x6	1	
KEM-TS2608B1N	TAPPING SCREW B/HD T2.6x8	3	
KEM-TS3010P1B	TAPPING SCREW P/HD T3X10	1	
KEM-W11003903X	SELF LOCKING WASHER DIA.4	1	
KEM-WP0952805N	M2.8 PLAIN WASHER 103J-1	1	
KEOE-OT041	FIBRE SLEEVING DIA 1.5mm	0.01	
KEOE-OT042	FIBRE SLEEVING DIA 2MM	0.025	L=10mm,L=15mm
KESP-016	MIC DYNAMIC	1	
KESW-079	PUSH-BUTTON SWITCH 4P2T	1	
KETC-036-5	CURL CORD 4 CORES 3.05M	1	
25WNWB	MAIN UNIT (ALL)	1	
25WNWBC	MAIN CASING (ALL)	1	
25WNWBCXXX	MAIN CASING COMMON	1	
KEJ-032-1	MIC SOCKET 4PIN PLT-164-R	1	F501
KEJ-264	CONNECTOR FOR EL AMP 2PIN	1	
KEJW-SA24BK	STRAND WIRE UL1007 #24 BLACK	0.083	W105(L=3-75-5mm)
KEJW-SA24BL	STRAND WIRE UL1007 #24 BLUE	0.198	L=3-110-5MM - W14,W9 E:548
KEJW-SA24GR	STRAND WIRE UL1007 #24 GREEN	0.41	W20(L=3-230-5mm),W705(L=3-160-5mm)
KEJW-SA24RD	STRAND WIRE UL1007 #24 RED	0.528	W706(L=3+160+5mm),W5(L=3+250+5mm),JW202(L=3-90-5mm)
KEJW-SA24YW	STRAND WIRE UL1007 #24 YELLOW	0.15	JW806(L=5-140-5mm)
KEJW-TA24AE	TINNED WIRE UL1007 #24 ORANGE	0.2	W102(L=3-90-5mm),JW201(L=7-90-5mm)
KEJW-TA24BK	TINNED WIRE UL1007 #24 BLACK	0.905	W15-(L=3-60-5mm),W30(L=3-90-5mm) JP3B(L=3-160-5mm),W13(L=3-110-5mm),W6A(L=3-250-5mm) W32(L=3-90-5mm),MIC3 (L=5-60-5mm),L=18MM
KEJW-TA24BL	TINNED WIRE UL1007 #24 BLUE	0.484	JP3A(L=3-160-5mm) W22(L=3-300-5mm)
KEJW-TA24BN	TINNED WIRE UL1007 #24 BROWN	0.745	W26(L=3-270-5mm),W11(L=3-100-5mm),W19(L=3-350-5mm)
KEJW-TA24GR	TINNED WIRE UL1007 #24 GREEN	0.475	W21(L=3-280-5mm)
KEJW-TA24RD	TINNED WIRE UL1007 #24 RED	0.722	W104(L=3-80-5mm),W108(L=3-90-5mm) W27(L=3-170-5mm),W33(L=3-335-5mm),MIC1(L=5-60-5mm) W15(L=3-120-5mm)
KEJW-TA24WE	TINNED WIRE UL1007 #24 WHITE	0.21	MIC4(L=5-60-5mm),W12(L=5-130-5mm)
KEJW-TA24YW	TINNED WIRE UL1007 #24 YELLOW	0.48	MIC2(L=5-60-5mm),W23(L=5-300-5mm),JW501(L=5-90-5mm)
KEJW-XXXBJW-23	WIRE BARE TINNED	0.045	JP201(L=20mm),JP202(L=15mm),W201(L=10mm)
KEM-MS2005B2N	SCREW-MACHINE B/HD DIA M2.0x5MM	6	
KEM-MS2604P2N	M2.6x4 P/HD SCREW	2	
KEM-MS3006B2N	M3x6 B/HD SCREW	8	
KEM-MS3006C2N	SCREW-MACHINE F/H M3X6MM	4	
KEM-MS3008B2N	M3x8 B/HD SCREW	5	
KEM-MS3008P2N	SCREW-MACHINE P/H M3X8MM	2	E:521
KEM-M0610-01	INSERT-KNOB	1	
KEM-M0702	MOUNTING PLATE SCREW	2	
KEM-M8403	INSERT 1	2	
KEM-M8407A	LOCK SPRING	2.08	E:559,618
KEM-M8412	BRACKET FOR EL PCB	1	E:585
KEM-M8501	INSERT	1	
KEM-M8601B-01	BRACKET	1	
KEM-M8603	METER CLAMP	2	
KEM-M8604A	TOP COVER	1	
KEM-M8605A	BOTTOM COVER	1	
KEM-NF0553040Z	FLANGE NUT M3.0	4	
KEM-NH0553022G	HEX NUT M3.0x0.5x2.2T (3504-1)	3	E:521
KEM-OT0608	CLAMP CUSHION	2	
KEM-OT0704	RUBBER RING 15 OD x 7 ID x 2 THK	2	
KEM-OT0706	FELT STRIP 75X10MM	4	
KEM-OTS215	PVC TAPE	0.04	
KEM-OT8403	CUSHION FOR CONTACT PCB	2	E:582
KEM-OT8404	INSULATION SHEET 1	1	
KEM-OT8501	PC SUPPORT	2	
KEM-OT8502	INSULATION SHEET	0.5	
KEM-OT8601	INSULATION SHEET	2	

25WX ST BOM

Item	Description	Qty	LOCATION
KEM-P0708B	BAND SELECT KNOB	1	
KEM-P8405B	PUSH COVER	1	
KEM-P8406	OUTER KNOB	2	
KEM-P8407	INNER KNOB	2	
KEM-P8501D	WS KNOB	1	
KEM-P8601E-01	FRONT PANEL	1	E:584
KEM-P9003B	FILTER DISPLAY	1	
KEM-TS2306B2N	TAPPING SCREW B/HD T2.3X6	2	
KEM-TS26045B2N	TAPPING SCREW B/HD T2.6X4.5	3	E:604
KEM-TS2605B2N	TAPPING SCREW B/HD T2.6x5	1	E:604
KEM-TS2610B2N	TAPPING SCREW B/HD T2.6x10	1	
KEM-TS3006B5Z	TAPTITE SCREW B/H S M3x6	2	
KEM-WF0703308X	FIBRE WASHER 7.0ODX3.3IDX0.8TH (1103-	4	E:526
KEOE-OT123	METER ANALOG H-319-8828	1	M401
KEOE-OT182	CABLE TIE TSL-102M 2.5X102MM	7	E:548,626
KEOE-OT273	COAXIAL CABLE 1.5D-QEV. 200MM	1	
KEOE-OT417	HEAT SHRINKABLE TUBING @5.7X28	0.014	E:552,571,591
KEPC-397-A	PCB FOR 25EL CONNECTOR S.S 15X9X1.6MM	1	E:523
KER-D502A502B	VR DUAL SHAFT 5KAO/5KBI	1	VR404
KER-D503B503A-7	VR DUAL SHAFT 50KBO150KAI W/SW	1	VR402
KESP-056	SPEAKER 8 OHM 5W	1	SP401
KESW-027-2	SLIDE SW 2P3T SS2324BAT11	1	S404
KESW-028-2	SLIDE SW 2P2T SS2249BAT11	3	S401,402,403
25WNWB1	MAIN PCB (ALL)	1	
25WNWB1XXX	MAIN PCB COMMON	1	
KCD-HVU200A-1	DIODE VARIABLE CAP. SMD	1	D11 E:586
KED-1SV68	DIODE VARICAP 1SV68	0	*
KEC-E105ERMKA	CAP. ELECT. 16V M% 1UF	1	C714
KEC-E105HRMU	CAP. ELECT. 50V M% 1UF	5	C30,70,90,702,711
KEC-E106ERMU	CAP. ELECT. 16V M% 10UF	4	C94,123,155,713
KEC-E107ERMKA	CAP. ELECT. 16V M% 100uF	1	C701
KEC-E107ERMU	CAP. ELECT. 16V M% 100UF	1	C36
KEC-E108FRMU	CAP. ELECT. 25V M% 1000UF	2	C65,170
KEC-E224HRMU	CAP. ELECT. 50V M% 0.22UF	1	C103
KEC-E225HRMKA	CAP. ELECT. 50V M% 2.2UF	2	C101,102
KEC-E226ERMKA	CAP. ELECT. 16V M% 22uF	1	C705
KEC-E227DRMU	CAP. ELECT. 10V M% 220UF	1	C91
KEC-E475ERMKA	CAP. ELECT. 16V M% 4.7UF	1	C706
KEC-E475FRMU	CAP. ELECT. 25V M% 4.7UF	5	C2,C31,C37,C99,C717
KEC-E475HRMU	CAP. ELECT. 50V M% 4.7UF	1	C215
KEC-E476DRMU	CAP. ELECT. 10V M% 47UF	2	C147,148
KEC-E476ERMU	CAP. ELECT. 16V M% 47UF	3	C63,82,114
KEC-E477ERMU	CAP. ELECT. 16V M% 470UF	4	C67,104,118,709
KEC-MY102IRKA	CAP. MYLAR 100V K% 0.001UF	5	C21,57,62,89,95
KEC-MY103IRKA	CAP. MYLAR 100V K% 0.01UF	2	C28,708
KEC-MY104IRKA	CAP. MYLAR 100V K% 0.1UF	1	C73
KEC-MY153IRKP	CAP. MYLAR 100V K% 0.015UF	1	C710 E:578
KEC-MY153IRKA	CAP. MYLAR 100V K% 0.015UF	0	*
KEC-MY222IRKA	CAP. MYLAR 100V 10% 0.0022UF	1	C29
KEC-MY223IRKA	CAP. MYLAR 100V K% 0.022UF	4	C32,54,96,712
KEC-MY392IRKA	CAP. MYLAR 100V K% 0.0039UF	1	C151
KEC-MY472IRKA	CAP. MYLAR 100V K% 0.0047UF	1	C27
KEC-MY473IRKA	CAP. MYLAR 100V K% 0.047UF	2	C19,26
KEC-MY682IRKA	CAP. MYLAR 100V K% 0.0068UF	1	C56
KEC-MY683IRKA	CAP. MYLAR 100V K% 0.068UF	1	C14
KEC-TR032	CAP. TRIMMER JTC06C200 20PF	1	VC1
KEC-T106ERMU	CAP. TANT. 16V M% 10UF	1	C22
KEC-T335ERMU	CAP. TANT. 16V M% 3.3uF	1	C144
KEC-T475ERMU	CAP. TANT. 16V M% 4.7UF	1	C150
KEC-100FRDSL	CAP. CER. 50V SL D% 10PF	1	C78
KEC-101FRJSL	CAP. CER. 50V SL J% 100PF	1	C138
KEC-101FRJ750T	CAP. CER. 50V UJ J% 100PF	1	C76
KEC-102FRKBT	CAP. CER. 50V B K% 0.001UF	4	C38,216,703,716
KEC-102FRZFT	CAP. CER. 50V F Z% 0.001UF	11	C13,55,61,69,92,93,122,501,503,504,59
KEC-103ERMYRT	CAP. CER. 25V YR M% 0.01UF	1	C704
KEC-103FRZFT	CAP. CER. 50V F Z% 0.01UF	50	C3,4,6,7,9,10,11,15,35,49,51,52,53,64,79,80,81 C84,85,86,87,98,105,106,115,117,120,121,125, C127,129,130,131,133,135,136,137,156,158,160, C402,403,505,506,124,502,201,202,304 C8 is soldering on copper side E:550,601
KEC-104ERKYRT	CAP. CER. 25V YR K% 0.1UF	1	C154
KEC-109FRCSLT	CAP. CER. 50V SL C% 1PF	1	C18
KEC-151FRKSLT	CAP. CER. 50V SL K% 150PF	4	C108,139,141,159
KEC-209FRCSLT	CAP. CER. 50V SL C% 2PF	1	C142
KEC-220FRJNPOT	CAP. CER. 50V CH J% 22PF	2	CL1,C628

25WX ST BOM

Item	Description	Qty	LOCATION
KEC-220FRJSLT	CAP. CER. 50V SL J% 22PF	3	E:549
KEC-220FRJ220T	CAP. CER. 50V RH J% 22PF	1	C48,107,161
KEC-221FRJ750T	CAP. CER. 50V UJ J% 220PF	1	C1
KEC-221FRKSLT	CAP. CER. 50V SL K% 220PF	1	C77
KEC-222FRMY5PT	CAP. CER. 50V Y5P M% 0.0022UF	1	C5
KEC-222FRZFT	CAP. CER. 50V F Z% 0.0022UF	1	C44
KEC-270FRJNPOT	CAP. CER. 50V CH J% 27PF	1	C97
KEC-271FRJ750T	CAP. CER. 50V UJ J% 270PF	2	C111
KEC-330FRJSLT	CAP. CER. 50V SL J% 33PF	2	C41,46
KEC-330FRJ220T	CAP. CER. 50V RH J% 33PF	1	C45,72
KEC-330FRJ750T	CAP. CER. 50V UJ J% 33PF	1	C75
KEC-331FRKSLT	CAP. CER. 50V SL K% 330PF	3	C305
KEC-391FRKSLT	CAP. CER. 50V SL K% 390PF	1	C42,140,149
KEC-393FRZFT	CAP. CER. 50V F Z% 0.039uF	4	C109
KEC-470FRJSLT	CAP. CER. 50V SL J% 47PF	2	C43,68,71,145
KEC-471FRKSLT	CAP. CER. 50V SL K% 470PF	2	C12,40
KEC-472FRMY5TT	CAP. CER. 50V D M% 0.0047UF	1	C110,157
KEC-473FRZFT	CAP. CER. 50V F Z% 0.047UF	8	C50
KEC-509FRCSLT	CAP. CER. 50V SL C% 5PF	1	C16,17,20,24,25,39,112,134
KEC-680FRJ750T	CAP. CER. 50V UJ J% 68PF	1	C83
KECF-0018K	CER. FILTER KBF-455R-6AS	1	C74
KECF-0018-A	CER. FILTER LTW455HT JIANG JIA	0	CF2
KECF-0069	CER. FILTER LT10.7MS2	1	E:600
KED-ZJ5V6B	DIODE ZENER MTZJ 5.6B	1	*
KED-Z9A2	DIODE ZENER HZ9A2	1	CF1
KED-Z9C3	DIODE ZENER HZ9C3	1	D705
KED-1SS85	DIODE PIN 1SS85	1	D13
KED-2-2AP261	DIODE GERMANIUM 2-2AP261	2	D15
KED-1K261	DIODE GERMANIUM 1K261	0	D2
KED-4004-A	DIODE IN4004	3	D4,D6
KED-4004	DIODE 1N4004	0	*
KED-4148-A	DIODE IN4148 TOYO KUNI	23	D10,D17,D22
KED-4148	DIODE 1N4148	0	E:G5509
KEI-105LH	IFT KM771NC 10MHZ	2	*
KEI-106LH	IFT KM776A	1	L3,4
KEI-107LH	IFT KM774NC 30MHZ	1	L1
KEI-108LH	IFT KM772NC 11MHZ	1	L2
KEI-111LH	IFT 4A1052A 455KHZ	1	L19
KEI-112LH	IFT 4A1051N 455KHZ	1	L5
KEI-114LH-1	IFT KM780NC 28MHZ	1	L6
KEI-115LH	IFT KM777NC 16.5MHZ	1	L14
KEI-117LH	IFT KM779NC 30MHZ	1	L16
KEI-121LH	COIL 1.9UH KM778N	1	L17
KEI-122LH	IFT 4A1050N 455KHZ	1	L15
KEI-123LH	IFT 2KM773N2C 27MHZ	1	L7
KEIC-KA567	IC KA567 TONE DECODER	1	L18
KEIC-NJM567D	IC NJM567D TONE DECODER	0	IC701
KEIC-TA7222AP	IC TA7222AP POWER AMP	1	E:612
KEIC-TA7310P	IC TA7310P PLL	1	*
KEIC-25LTD	IC 25LTD PLL (FOR COMMON CATHODE DISP	1	IC1
KEJ-010	ANTENNA RECEPTACLE 89713-0013	1	IC2
KEJ-012	SPEAKER JACK JC-304B	2	IC3
KEJ-060	JACK DC POWER 2S-10813 #01	1	J401
KEJW-TA24AE	TINNED WIRE UL1007 #24 ORANGE	0.66	J402,403
KEJW-TA24BK	TINNED WIRE UL1007 #24 BLACK	0.14	J405
KEJW-TA24BL	TINNED WIRE UL1007 #24 BLUE	0.12	C(L=5-65-5mm),W4(L=5-240-5mm),W703(L=5-85-5mm), W103(L=5-130-5mm),TR18,E(L=5-90-5mm)
KEJW-TA24BN	TINNED WIRE UL1007 #24 BROWN	0.565	W401(L=5-55-5mm),G(L=5-45-5mm),W202 W702(L=5-110-5mm)
KEJW-TA24RD	TINNED WIRE UL1007 #24 RED	0.345	B(L=5-80-5mm),W701(L=5-60-5mm),H(L=5-320-5mm) W704(L=5-65-5mm)
KEJW-TA24WE	TINNED WIRE UL1007 #24 WHITE	0.485	SP+(L=5-230-5mm), TR18,C(L=5-95-5mm)
KEJW-TA24YW	TINNED WIRE UL1007 #24 YELLOW	0.24	A(L=5-150-5mm),SP-(L=5-230-5mm),W707(L=5-75-5mm)
KEJW-XXXBJW-23	WIRE BARE TINNED	1.858	F(L=5-125-5mm),TR18,B(L=5-95-5mm) JP1,4,6,9,10,11,12,13,14,15,17,18,19,20,21,30 JP22,25,27,29,30(for R35),JW1,2,R92 D24,26,L401,JP711
KEL-S047	COIL SPRING 0.8X6X7.5 HA-S026	1	L9
KEL-S048	COIL SPRING 0.8X6X8.5 HA-S027	1	L8
KEL-V178HU-2	COIL VARIABLE 0.8X5X7T	1	L603
KEL-V178MA-1	COIL FIXED 0.17UH 20% MT280-1163-N	1	L13
KEL-V208PM	COIL VARIABLE 0.20UH 20% E0001	1	L20
KEL-V308CH	COIL VARIABLE 0.3UH 20% 044-041-9-001	1	L10
KEL-V308AD	COIL VARIABLE 0.3UH 20% ANDA	0	E:

25WX ST BOM

Item	Description	Qty	LOCATION
KEL-101MA-1	COIL FIXED 100UH 10%	1	FOR L44
KEL-508CL	COIL FIXED 0.5UH 10% CWR4-503328	1	L11
KEM-AN3314003YB	M3.0 ANT TERMINAL (10014-6) NI BRASS	3	
KEM-MS3006B2N	M3x6 B/HD SCREW	11	
KEM-MS3008P2N	SCREW-MACHINE P/H M3X8MM	1	E:521
KEM-MS3008P2PN	PLASTIC SCREW P/H 3X8MM (NYLON)	3	
KEM-M0607	SHIELDING PLATE	1	
KEM-M0708A	HEAT SINK	1	
KEM-M8606A	FRAME	1	
KEM-NH0553022G	HEX NUT M3.0x0.5x2.2T (3504-1)	3	E:521
KEM-OT0602	SHIELDING PLATE INSULATION	1	
KEM-OT9002	BLIND RIVET DIA 3.2x6	3	
KEM-P9001	SLEEVE-JACK (FORKEJ-012)	2	FOR J402, 403
KEM-WI0643304N	INNER TOOTHED LOCK WASHER DIA. 3 (404	8	
KEOE-OT040	FIBRE SLEEVING DIA. 1MM	0.095	L401 (L=10mm), R115 (L=32mm), TO D24 (L=10mm) C715 (L=7mmx2), (L=12mm), JPI JP9
KEOE-OT041	FIBRE SLEEVING DIA 1.5mm	0.012	L=12MM - D704
KEOE-OT118-1	FERRITE BEAD T5 RH 3.5X5X1.3	2	L12,50
KEOE-OT121-1	FERRITE BEAD TG RHH 7X6 (1.5)	1	L401
KEOE-OT124	MICA SHEET FOR TA7222P	1	YY1
KEOE-OT125-1	MICA SHEET FOR 2SC1957Q03.0MM	3	YY2,3
KEOE-OT127	MICA SHEET FOR HEAT SINK INSULATION	1	YY4
KEOE-OT128	BUSHING FOR 2SC2075	1	YY5
KEOE-OT183	PVC TUBE DIA 2MM W/UL CSA	0.06	TR18(L=20mm)x3
KEOE-OT190	FERRITE BEAD HF55BTL 3.5X8R	2	L501,L502:E528
KEOE-OT230	COAXIAL CABLE UL1533 #28 80MM	1	E:601
KEPC-262-E	PCB MAIN FOR CB25 S.S	1	E:625
KER-MX201FBB	RES. METAL-OXIDE 2W 5% S 200	1	R97
KER-MX399FBB	RES. METAL-OXIDE 2W 5% S 3.9 OHM	1	R77
KER-100CFB	RES. C-FILM 1/4W 5% F 10	1	R43
KER-101CBB	RES. C-FILM 1/4W 5% S 100	1	R69
KER-101CFB	RES. C-FILM 1/4W 5% F 100	2	R81,4
KER-102CBB	RES. C-FILM 1/4W 5% S 1K	1	R6
KER-102CFB	RES. C-FILM 1/4W 5% F 1K	13	R3,9,12,17,51,66,70,75,96,103,301,401,120
KER-102DBB	RES. C-FILM 1/2W 5% S 1K	1	R38
KER-103CBB	RES. C-FILM 1/4W 5% S 10K	4	R8,20,36,59,
KER-103CFB	RES. C-FILM 1/4W 5% F 10K	7	R30,47,85,86,101,105,107
KER-103JBB	RES. C-FILM 1/8W 5% S 10K	4	R711,712,715,719
KER-103SR085	RES. SEMI-FIX SR085-2-10K	1	VR1
KER-104CFB	RES. C-FILM 1/4W 5% F 100K	2	E:627
KER-104JBB	RES. C-FILM 1/8W 5% S 100K	5	R15,53
KER-109CFB	RES. C-FILM 1/4W 5% F 1	2	R702,R707,R708,R716,R718
KER-124CBB	RES. C-FILM 1/4W 5% S 120K	1	R108,118
KER-150DBB	RES. C-FILM 1/2W 5% S 15	1	R78
KER-153CFB	RES. C-FILM 1/4W 5% F 15K	1	R89
KER-181CFB	RES. C-FILM 1/4W 5% F 180	2	R52,64
KER-182CBB	RES. C-FILM 1/4W 5% S 1.8K	1	R114
KER-183CFB	RES. C-FILM 1/4W 5% F 18K	1	R1002,E:
KER-202JBB	RES. C-FILM 1/8W 5% S 2K	1	R2
KEL-508CH-1	COIL FIXED 0.5UH 10% EN0096B	0	R703
KER-203KVSF637A	RES. SEMI. KVSF637A 20K	1	*
KER-203D8A	RES. SEMI. EVN-D8A-A03 20K	0	VR3
KER-203D8Y	RES. SEMI. EVN-D8Y-A03-B24 20K	0	E:611
KER-203SR085	RES. SEMI-FIX SR085-2-20K	1	*
KER-220CFB	RES. C-FILM 1/4W 5% F 22	1	VR701
KER-221CBB	RES. C-FILM 1/4W 5% S 220	1	E:627
KER-221CFB	RES. C-FILM 1/4W 5% F 220	5	R40
KER-222CBB	RES. C-FILM 1/4W 5% S 2.2K	1	R19
KER-222CFB	RES. C-FILM 1/4W 5% F 2.2K	10	R7,21,71,88,11
KER-223CBB	RES. C-FILM 1/4W 5% S 22K	2	R67
KER-223CFB	RES. C-FILM 1/4W 5% F 22K	3	R13,23,55,57,63,76,80,106,111,56
KER-225CFB	RES. C-FILM 1/4W 5% F 2.2M	1	R28,60
KER-270CFB	RES. C-FILM 1/4W 5% F 27	1	R5,74,150
KER-271CFB	RES. C-FILM 1/4W 5% F 270	1	R104
KER-272CFB	RES. C-FILM 1/4W 5% F 2.7K	1	R48
KER-273CFB	RES. C-FILM 1/4W 5% F 27K	2	D27
KER-330CFB	RES. C-FILM 1/4W 5% F 33	1	R82
KER-331CFB	RES. C-FILM 1/4W 5% F 330	1	R16,65
KER-331DBB	RES. C-FILM 1/2W 5% S 330 OHM	1	R302
KER-332CBB	RES. C-FILM 1/4W 5% S 3.3K	1	R39
KER-332CFB	RES. C-FILM 1/4W 5% F 3.3K	1	R701
KER-333CFB	RES. C-FILM 1/4W 5% F 33K	1	R46
KER-333JBB	RES. C-FILM 1/8W 5% S 33K	1	R102
KER-393CFB	RES. C-FILM 1/4W 5% F 39K	3	R116
KER-470CBB	RES. C-FILM 1/4W 5% S 47	2	R710
			R29,62,87
			R26,45

25WX ST BOM

Item	Description	Qty	LOCATION
KER-470CFB	RES. C-FILM 1/4W 5% F 47	1	R84
KER-471CBB	RES. C-FILM 1/4W 5% S 470	1	R68
KER-471CFB	RES. C-FILM 1/4W 5% F 470	2	R49,94
KER-472CFB	RES. C-FILM 1/4W 5% F 4.7K	7	R1,10,35,73,79,95,58
KER-473CFB	RES. C-FILM 1/4W 5% F 47K	2	R24,109
KER-473JBB	RES. C-FILM 1/8W 5% S 47K	3	R704,R705,R706
KER-474CFB	RES. C-FILM 1/4W 5% F 470K	1	R22
KER-503SR085	RES. SEMI-FIX SR085-2-50K	1	VR4 E:627
KER-560CBB	RES. C-FILM 1/4W 5% S 56	1	R72
KER-560CFB	RES. C-FILM 1/4W 5% F 56	1	R25
KER-560DBB	RES. C-FILM 1/2W 5% S 56	1	R100
KER-562CBB	RES. C-FILM 1/4W 5% S 5.6K	1	R112
KER-562CFB	RES. C-FILM 1/4W 5% F 5.6K	3	R37,110,113
KER-563CBB	RES. C-FILM 1/4W 5% S 56K	1	R34
KER-563CFB	RES. C-FILM 1/4W 5% F 56K	4	R31,32,33,61
KER-563JBB	RES. C-FILM 1/8W 5% S 56K	1	R714
KER-681CFB	RES. C-FILM 1/4W 5% F 680	2	R14,98
KER-681KVSF637A	RES. SEMI. KVSF637A 680	2	VR2,5
KER-682CFB	RES. C-FILM 1/4W 5% F 6.8K	1	VR3R
KER-683CFB	RES. C-FILM 1/4W 5% F 68K	2	R18,117
KER-683JFB	RES. C-FILM 1/8W 5% F 68K	2	R720,721
KER-822CBB	RES. C-FILM 1/4W 5% S 8.2K	2	R27,115
KER-822CFB	RES. C-FILM 1/4W 5% F 8.2K	1	R54
KER-823CFB	RES. C-FILM 1/4W 5% F 82K	1	R83
KER-824CFB	RES. C-FILM 1/4W 5% F 820K	1	R50
KET-C2078E	TRANSISTOR NPN 2SC2078(E)	1	TR7
KET-C2078D	TRANSISTOR NPN 2SC2078(D)	0	*
KET-KSA733C-G	TRANSISTOR PNP TR KSA733C-G	3	TR14,16,22
KET-25B891Q	TRANSISTOR PNP 25B891Q	1	TR701
KET-25C1674L	TRANSISTOR NPN 25C1674L	1	TR1
KET-25C1675L	TRANSISTOR NPN 25C1675L	7	TR2,TR3,TR4,TR5,TR11,TR12,TR20 E:G5498
KET-25C1675K	TRANSISTOR NPN 25C1675K TO-92	0	*
KET-25C1957Q	TRANSISTOR NPN 25C1957-Q	2	TR8,18
KET-25C2236Y	TRANSISTOR NPN 25C2236Y	1	TR17
KET-25C941TMO	TRANSISTOR NPN 25C941TMO	1	TR9
KET-25C945AQ	TRANSISTOR NPN 25C945AQ	12	TR6,10,13,15,19,21,23,702,703,704,705,706
KET-25K192AY	FET 25K192A-Y	2	FET1,;
KETR-010-1	TRANSFORMER MOD ETM512-96	1	T1
KETR-011-1	TRANSFORMER CHOKE ETM511-96	1	T2
KEX-0318	CRYSTAL 10.24DMHZ CL=30PF	1	X1
25WNWB2	LED PCB (ALL)	1	
25WNWB2XXX	LED PCB COMMON	1	
KED-LC4022-11E	DIODE LED 7 SEGS 2 DIGITS LC4022-11 E	1	D302 E:620
KED-LC402NDGC-1	DIODE LED 7 SEGS 2 DIGITS C402	0	*
KED-BDC402NI-L9	DIODE LED 7 SEGS 2 DIGITS BDC402N8-LC	0	*
KED-L204R	DIODE LED EL204HD RED	1	D801
KED-L64GR	DIODE LED LT0362-25-D63 RED-GREEN	1	D302
KEJW-SA26BL	STRAND WIRE UL1007 #26 BLUE	0.206	L=3-200-3MM - JW810
KEJW-TA24AE	TINNED WIRE UL1007 #24 ORANGE	0.22	JW807(L=220mm)
KEJW-TA24BK	TINNED WIRE UL1007 #24 BLACK	0.11	JW809L=5-100-5MM
KEJW-TA24BN	TINNED WIRE UL1007 #24 BROWN	0.225	JW808(L=225mm)
KEJW-TA24GR	TINNED WIRE UL1007 #24 GREEN	0.285	W34(L=285mm)
KEJW-TA24RD	TINNED WIRE UL1007 #24 RED	0.11	L=110MM - W33 E:601
KEJW-TA24WE	TINNED WIRE UL1007 #24 WHITE	0.22	JW803(L=220mm)
KEOE-OT295-C	COVER FOR CB DUAL DIGIT DISPLAY	1	E:G5579
KEOE-OT295-A	COVER 0.4" D/D CAP GREEN PANTAGE	0	*
KEOE-OT295	A-402NDGC COVER	0	*
KEOE-OT295-B	COVER 0.4" D/D CAP GREEN PANTA	0	*
KEPC-261-C	PCB LED 54x25x1.6mm SS DS	1	
KER-112JFB	RES. C-FILM 1/8W 5% F 1K1	1	R805
KE5W-064	PUSH BUTTON SWITCH 2C2P W/LOCK	1	SW801
25WNWB3	CHANNEL SELECTOR UNIT	1	
25WNWB3XXX	CHANNEL SELECTOR COMMON	1	
KED-4148-A	DIODE IN4148 TOYO KUNI	21	D201,D202,D203,D204,D205,D206,D207,D208,D209,D210 D211,D212,D213,D214,D216,D217,D218,D219,D220,D221 D222 E:ES06,593
KED-4148	DIODE 1N4148	0	*
KEJW-XXXBJW-23	WIRE BARE TINNED	0.33	JW201,204(P=110mm);JW203(P=80mm);JW202(P=30mm)
KEOE-OT130-1	FLAT CABLE 2.5mm PITCH 5-50-5 10 CORE	1	FC1
KEPC-260-A	PCB CH SWITCH 46X55X1.6MM SS	1	
KER-271JBB	RES. C-FILM 1/8W 5% S 270	4	R211,R214,R204,R213
KER-331JBB	RES. C-FILM 1/8W 5% S 330	9	R203,R206,R210,R201,R202,R207,R205,R208,R215
KER-331JFB	RES. C-FILM 1/8W 5% F 330	1	R209

25WX ST BOM

Item	Description	Qty	LOCATION
KESW-047	CHANNEL SELECTOR GPS-0736 40CH	1	SW201
25WNWB4	COMPANDER PCB (ALL)	1	
25WNWB4XXX	COMPANDER PCB COMMON	1	
KEC-E105HRMU	CAP. ELECT. 50V M% 1UF	1	C809
KEC-E106ERMU	CAP. ELECT. 16V M% 10UF	6	C802,803,804,806,807,820
KEC-E224HRMU	CAP. ELECT. 50V M% 0.22UF	3	C813,815,819
KEC-E225HRMKA	CAP. ELECT. 50V M% 2.2UF	2	C801,805
KEC-E226ERMKS	CAP. ELECT. 16V M% 22UF	1	C816
KEC-E476ERMU	CAP. ELECT. 16V M% 47UF	1	C814
KEC-103FRZFT	CAP. CER. 50V F Z% 0.01UF	2	C817,818
KEC-104ERKYRT	CAP. CER. 25V YR K% 0.1UF	1	C812
KEC-151FRKSLT	CAP. CER. 50V SL K% 150PF	1	C810
KEC-332FRKBT	CAP. CER. 50V B K% 0.0033UF	1	C811
KEC-682ERKYRT	CAP. CER. 25V SR K% 0.0068UF	1	
KED-4148-A	DIODE IN4148 TOYO KUNI	1	D802
			E:593
			*
KED-4148	DIODE 1N4148	0	
KEIC-TA31101AP	IC TA31101AP COMPANDER TOSHIBA	1	IC801
KEIC-TC4066	IC TC4066BP DIP QUAD ANALOG SW	1	IC802
KEJW-TA24AE	TINNED WIRE UL1007 #24 ORANGE	0.095	WB(L=5-85-5mm)
KEJW-TA24BK	TINNED WIRE UL1007 #24 BLACK	0.1	W1 (L=5-90-5mm)
			E:601
KEJW-TA24BL	TINNED WIRE UL1007 #24 BLUE	0.105	WA (L=5-95-5mm)
KEJW-TA24GR	TINNED WIRE UL1007 #24 GREEN	0.11	D14+(L=5-100-5mm)
KEJW-TA24RD	TINNED WIRE UL1007 #24 RED	0.11	W107(L=5-100-5mm)
KEJW-TA24YW	TINNED WIRE UL1007 #24 YELLOW	0.145	W8 (L=5-135-5mm)
KEJW-XXXBJW-23	WIRE BARE TINNED	0	J801
KEPC-264-B1	COMPANDER PCB 31X61X1.6MM DS	1	
KER-102CFB	RES. C-FILM 1/4W 5% F 1K	1	R806
KER-103CFB	RES. C-FILM 1/4W 5% F 10K	2	R804,807
KER-124CFB	RES. C-FILM 1/4W 5% F 120K	1	R801
KER-272CFB	RES. C-FILM 1/4W 5% F 2.7K	1	R810
KER-393CFB	RES. C-FILM 1/4W 5% F 39K	1	R803
KER-472CFB	RES. C-FILM 1/4W 5% F 4.7K	2	R808,809
KER-821CFB	RES. C-FILM 1/4W 5% F 820	1	R802
KET-2SC945AQ	TRANSISTOR NPN 2SC945AQ	1	TR801
25WNWB5	WEATHER BAND BOARD	1	
25WNWB5XXX	WEATHER BAND COMMON	1	
KEC-E106ERMU	CAP. ELECT. 16V M% 10UF	2	C614,624
KEC-E477ERMU	CAP. ELECT. 16V M% 470UF	1	C612
KEC-MY102IRKA	CAP. MYLAR 100V K% 0.001UF	1	C617
KEC-MY223IRKA	CAP. MYLAR 100V K% 0.022UF	1	C620
KEC-TR007	CAP. TRIMMER TZ03P600ER169 60PF	3	CT601,602,604
KEC-TR020	CAP. TRIMMER TZ03T200ER 20PF	1	CT605
KEC-TR031	CAP. TRIMMER TZ03R300ER169 30PF	2	CT603,606
KEC-100FRJNPOT	CAP. CER. 50V CH J% 10PF	1	C602
KEC-101FRJNPOT	CAP. CER. 50V CH J% 100PF	1	C621
KEC-102ERMYRT	CAP. CER. 25V YR M% 0.001UF	2	C604A,625
KEC-102FRZFT	CAP. CER. 50V F Z% 0.001UF	1	C610
			A:KEC-102FRZFT
			*
KEC-102FRZFT	CAP. CER. 50V F Z% 0.001UF	0	
KEC-223ERMYRT	CAP. CER. 25V YR M% 0.022UF	4	C605,606,613,616
KEC-241FRKSLT	CAP. CER. 50V SL K% 240PF	1	C619
KEC-361FRKSLT	CAP. CER. 50V SL K% 360PF	1	C615
KEC-409FRDLSLT	CAP. CER. 50V SL D% 4PF	2	C601,603
KEC-470FRJNPOT	CAP. CER. 50V CH J% 47PF	1	C609
KEC-470FRJ750T	CAP. CER. 50V UJ J% 47PF	1	C622
KEC-473ERMYRT	CAP. CER. 25V YR M% 0.047UF	2	C611,623
KEC-511FRJ750T	CAP. CER. HE12SJJ511J N750 510PF	2	C618,627 (C626)
KEC-560FRJ750T	CAP. CER. 50V UJ J% 56PF	1	R607
KEC-620FRJNPOT	CAP. CER. 50V CH J% 62PF	1	C607
KED-SB0030-04A	DIODE SB0030-04A	2	D605,606
KED-Z6A3	DIODE ZENER HZ6A-3	1	D604
KED-1S2473	DIODE 1S2473	3	D601,602,603
KED-4148-A	DIODE IN4148 TOYO KUNI	1	D607
			E:593
			*
KED-4148	DIODE 1N4148	0	
KEI-149SU	IFT P-7GB 4140-H157 455KHZ	1	L602
KEI-151SU	IFT P-7GB 4140-H154 455KHZ	1	L604
KEI-152SU	IFT S-7L 2218-H471 27MHZ	1	L605
KEI-154SU-1	IFT S-7GC 0236-H666 160MHZ	1	L601
KEJW-SA24RD	STRAND WIRE UL1007 #24 RED	0.1	W604 TO VR5038 (L=5-90-5mm)
KEJW-SA24YW	STRAND WIRE UL1007 #24 YELLOW	0.08	WHEATHER SWITCH TO D607 + (L=5-90-5mm)
KEJW-TA24BK	TINNED WIRE UL1007 #24 BLACK	0.01	L=10MM
			E:601
KEJW-TA24BL	TINNED WIRE UL1007 #24 BLUE	0.1	W603 TO MIC3(L=5-90-5mm)
KEJW-XXXBJW-23	WIRE BARE TINNED	0.155	JP701,702,703
			JP31 (L=5mm) for R620

25WX ST BOM

Item	Description	Qty	LOCATION
KEL-S046	COIL SPRING HA028	2	L606,607
KEL-101MA-1	COIL FIXED 100UH 10%	1	L609
KEOE-OT229-1	FLAT CABLE 8 CORE 2.5MM 5-10-5	1	
KEPC-145-D1	PCB WX 74X50X1.6MM SS DS	1	
KER-100JBB	RES. C-FILM 1/8W 5% S 10	2	R620,617
KER-102JBB	RES. C-FILM 1/8W 5% S 1K	1	C608
KER-102JFB	RES. C-FILM 1/8W 5% F 1K	1	R601
KER-103JBB	RES. C-FILM 1/8W 5% S 10K	2	R615,616
KER-104JBB	RES. C-FILM 1/8W 5% S 100K	1	R606
KER-124JBB	RES. C-FILM 1/8W 5% S 120K	1	R613
KER-153CFB	RES. C-FILM 1/4W 5% F 15K	1	R605
KER-221JBB	RES. C-FILM 1/8W 5% S 220	1	R611
KER-332JBB	RES. C-FILM 1/8W 5% S 3.3K	1	R603
KER-471DBB	RES. C-FILM 1/2W 5% S 470	1	R614
KER-471JBB	RES. C-FILM 1/8W 5% S 470	1	R608
KER-472JBB	RES. C-FILM 1/8W 5% S 4.7K	3	R609,610,612
KER-474JBB	RES. C-FILM 1/8W 5% S 470K	1	R604
KER-824JBB	RES. C-FILM 1/8W 5% S 820K	1	R602
KESW-063	CHAN SELECTOR SRBV18-F002-11	1	SW601
KET-RJE9018G	TRANSISTOR NPN RJE9018G	1	Q601
KET-25C1674L	TRANSISTOR NPN 25C1674L	2	Q602,606
KET-25C945AQ	TRANSISTOR NPN 25C945AQ	3	Q603,604,605
KEX-0260	AT CUT CRYSTAL 16.206MHZ MFC-1	1	X601
	>>>> End of BOM		

CB 25LNW BOM

Item	Description	Qty	LOCATION
CA-73N	MIC UNIT (ALL)	1	
CA-73NC	MIC CASING (ALL)	1	
CA-73NCXXX	MIC CASING COMMON	1	
KEJ-163	MIC PLUG 4 PIN FOR COBRA	1	A:KEJ-033
KEJ-033	MIC PLUG 4 PIN M24	0	*
KEJW-SA26BK	STRAND WIRE UL1007 #26 BLACK	0.02	L=20mm
KEM-OT0702	SPONGY 38 OD x 26 ID x 5 THK	1	
KEM-OT7001	FELT DIA. 28	1	
KEM-OT9005	P.V.C. SLEEVE-CURL CORD	0.03	
KEM-P7001A	FRONT CABINET	1	E:548-G5128
KEM-P7001-01	FRONT CABINET W/O PRINTING	1	E:G5128
KEM-P7001A-Z	PRINTING FOR FRONT CABINET	1	E:G5128
KEM-P7002A	REAR CABINET	1	E:540
KEM-P7003A	MIC. BRACKET	1	E:540
KEM-P7103E	PTT SWITCH KNOB	1	E:572
KEM-P7107B	HANGING KNOB	1	E:566-G5189
KEM-TS2606B1N	TAPPING SCREW B/HD T2.6x6	1	
KEM-TS2608B1N	TAPPING SCREW B/HD T2.6x8	3	
KEM-TS3010P1B	TAPPING SCREW P/HD T3X10	1	
KEM-W11003903X	SELF LOCKING WASHER DIA.4	1	
KEM-WP0952805N	M2.8 PLAIN WASHER 103J-1	1	
KEOE-OT041	FIBRE SLEEVING DIA 1.5mm	0.01	
KEOE-OT042	FIBRE SLEEVING DIA 2MM	0.025	L=10mm,L=15mm
KESP-016	MIC DYNAMIC	1	
KESW-079	PUSH-BUTTON SWITCH 4P2T	1	
KETC-036-5	CURL CORD 4 CORES 3.05M	1	
25LNWB	MAIN UNIT (ALL)	1	
25LNWBC	MAIN CASING (ALL)	1	
25LNWBXXX	MAIN UNIT CASING COMMON	1	
KEJ-032-1	MIC SOCKET 4PIN PLT-164-R	1	J501
KEJ-264	CONNECTOR FOR EL AMP 2PIN	1	
KEJW-SA24BK	STRAND WIRE UL1007 #24 BLACK	0.085	W105(L=7-75-5mm)
KEJW-SA24BL	STRAND WIRE UL1007 #24 BLUE	0.08	W9
KEJW-SA24BN	STRAND WIRE UL1007 #24 BROWN	0.188	W18(L=3-180-5mm)
KEJW-SA24GR	STRAND WIRE UL1007 #24 GREEN	0.24	W6A (L=3-230-5mm)
KEJW-SA24RD	STRAND WIRE UL1007 #24 RED	0.448	W5(L=3-250-5mm),W17(L=3-180-5mm)
KEJW-SA24YW	STRAND WIRE UL1007 #24 YELLOW	0.328	JW806 (L=3-140-5mm),W501 (L=3-170-5mm)
KEJW-TA24AE	TINNED WIRE UL1007 #24 ORANGE	0.384	JW201(L=7-90-5MM),W27(L=5-270-5MM)
KEJW-TA24BK	TINNED WIRE UL1007 #24 BLACK	0.717	W15-(L=3-60-5mm) W(L=3-90-5mm),W13(L=3-110-5mm),W30(L=3-90-5mm) W6(L=3-250-5mm),MIC3(L=5-60-5mm)
KEJW-TA24BL	TINNED WIRE UL1007 #24 BLUE	0.427	W14 (L=3-110-5mm),W22(L=3-300-5mm)
KEJW-TA24BN	TINNED WIRE UL1007 #24 BROWN	0.759	W26(L=3-270-5MM),W11(L=3-110-5MM),W19(L=3-350-5MM)
KEJW-TA24GR	TINNED WIRE UL1007 #24 GREEN	0.41	W108(L=3-90-5mm),W21(L=3-300-5mm)
KEJW-TA24RD	TINNED WIRE UL1007 #24 RED	0.268	W15(L=3-120-5mm) JW202,MIC1(L=5-60-5mm)
KEJW-TA24WE	TINNED WIRE UL1007 #24 WHITE	0.21	MIC4 (L=5-60-5mm) W12 (L=3-130-5mm)
KEJW-TA24YW	TINNED WIRE UL1007 #24 YELLOW	0.379	W23(L=3-300-5mm) MIC2(L=5-60-5mm)
KEJW-XXXBJW-23	WIRE BARE TINNED	0.008	W202
KEM-MS2005B2N	SCREW-MACHINE B/HD DIA M2.0x5MM	6	
KEM-MS2604P2N	M2.6x4 P/HD SCREW	2	
KEM-MS3006B2N	M3x6 B/HD SCREW	8	
KEM-MS3006C2N	SCREW-MACHINE F/H M3X6MM	4	
KEM-MS3008B2N	M3x8 B/HD SCREW	5	
KEM-MS3008P2N	SCREW-MACHINE P/H M3X8MM	2	E:522
KEM-M0610-01	INSERT-KNOB	1	
KEM-M0702	MOUNTING PLATE SCREW	2	
KEM-M8403	INSERT 1	2	
KEM-M8407A	LOCK SPRING	2.08	E:599
KEM-M8412	BRACKET FOR EL PCB	1	E:570
KEM-M8601B	BRACKET	1	
KEM-M8603	METER CLAMP	2	
KEM-M8604A	TOP COVER	1	
KEM-M8605A	BOTTOM COVER	1	
KEM-NF0553040Z	FLANGE NUT M3.0	4	
KEM-NH0553022G	HEX NUT M3.0x0.5x2.2T (3504-1)	3	E:522
KEM-OT0608	CLAMP CUSHION	2	
KEM-OT0704	RUBBER RING 15 OD x 7 ID x 2 THK	2	
KEM-OT0706	FELT STRIP 75X10MM	4	
KEM-OT5215	PVC TAPE	0.03	
KEM-OT8403	CUSHION FOR CONTACT PCB	2	E:567
KEM-OT8502	INSULATION SHEET	0.5	
KEM-OT8601	INSULATION SHEET	2	
KEM-P0708B	BAND SELECT KNOB	1	
KEM-P8405B	PUSH COVER	1	
KEM-P8406	OUTER KNOB	2	

CB 25LNW BOM

Item	Description	Qty	LOCATION
KEM-P8407	INNER KNOB	2	
KEM-P8408A	VR KNOB	1	
KEM-P8601E-01	FRONT PANEL	1	E:569
KEM-P9003B	FILTER DISPLAY	1	
KEM-TS2306B2N	TAPPING SCREW B/HD T2.3X6	2	
KEM-TS26045B2N	TAPPING SCREW B/HD T2.6X4.5	3	E:588
KEM-TS2605B2N	TAPPING SCREW B/HD T2.6x5	1	E:588
KEM-TS2610B2N	TAPPING SCREW B/HD T2.6x10	1	
KEM-TS3006B5Z	TAPTITE SCREW B/H S M3x6	2	
KEM-WF0703308X	FIBRE WASHER 7.0ODX3.3IDX0.8TH (1103	4	E:527
KEOE-OT123	METER ANALOG H-319-8828	1	M401
KEOE-OT182	CABLE TIE TSL-102M 2.5X102MM	8	
KEOE-OT417	HEAT SHRINKABLE TUBING @5.7X28	0.014	
KEPC-397-A	PCB FOR 25EL CONNECTOR S.S 15X9X1.6M	1	E:524
KER-D502A102B	VR DUAL SHAFT 5KAO/1KBI	1	VR404
KER-D503B503A-7	VR DUAL SHAFT 50KBO150KAI W/SW	1	VR402
KER-502P11	POT. 5KB RV160-10-20K-853-3020	1	VR406
KESP-056	SPEAKER 8 OHM 5W	1	SP401
KESW-027-2	SLIDE SW 2P3T SS2324BAT11	1	S404
KESW-028-2	SLIDE SW 2P2T SS2249BAT11	3	S401,402,403
25LNBW1	MAIN PCB (ALL)	1	
25LNBW1XXX	MAIN PCB COMMON	1	
KCD-1SV215	DIODE VARICAP 1SV215	1	D11
KEC-E105HRMU	CAP. ELECT. 50V M% 1UF	3	E:506 C30,C70,C90
KEC-E106ERMU	CAP. ELECT. 16V M% 10UF	3	C94,C123,C155
KEC-E106HRMU	CAP. ELECT. 50V M% 10UF	1	C215
KEC-E107ERMU	CAP. ELECT. 16V M% 100UF	1	C36
KEC-E108FRMU	CAP. ELECT. 25V M% 1000UF	2	C65,170
KEC-E224HRMU	CAP. ELECT. 50V M% 0.22UF	1	C103
KEC-E225HRMKA	CAP. ELECT. 50V M% 2.2UF	2	C101,102
KEC-E227DRMU	CAP. ELECT. 10V M% 220UF	1	C91
KEC-E475FRMU	CAP. ELECT. 25V M% 4.7UF	4	C2,31,37,99
KEC-E476DRMU	CAP. ELECT. 10V M% 47UF	2	C147,148
KEC-E476ERMU	CAP. ELECT. 16V M% 47UF	3	C63,82,114
KEC-E477ERMU	CAP. ELECT. 16V M% 470UF	3	C67,104,118
KEC-MY102IRKA	CAP. MYLAR 100V K% 0.001UF	5	C21,57,62,89,95
KEC-MY103IRKA	CAP. MYLAR 100V K% 0.01UF	1	C28
KEC-MY104IRKA	CAP. MYLAR 100V K% 0.1UF	1	C73
KEC-MY222IRKA	CAP. MYLAR 100V 10% 0.0022UF	1	C29
KEC-MY223IRKA	CAP. MYLAR 100V K% 0.022UF	3	C32,54,96
KEC-MY392IRKA	CAP. MYLAR 100V K% 0.0039UF	1	C151
KEC-MY472IRKA	CAP. MYLAR 100V K% 0.0047UF	1	C27
KEC-MY473IRKA	CAP. MYLAR 100V K% 0.047UF	2	C19,26
KEC-MY682IRKA	CAP. MYLAR 100V K% 0.0068UF	1	C56
KEC-MY683IRKA	CAP. MYLAR 100V K% 0.068UF	1	C14
KEC-TR032	CAP. TRIMMER JTC06C200 20PF	1	VC1
KEC-T106ERMU	CAP. TANT. 16V M% 10UF	1	C22
KEC-T335ERMU	CAP. TANT. 16V M% 3.3uF	1	C144
KEC-T475ERMU	CAP. TANT. 16V M% 4.7UF	1	C150
KEC-100FRDSL	CAP. CER. 50V SL D% 10PF	1	C78
KEC-101FRJSLT	CAP. CER. 50V SL J% 100PF	2	C138,48
KEC-101FRJ750T	CAP. CER. 50V UJ J% 100PF	1	C76
KEC-102FRKBT	CAP. CER. 50V B K% 0.001UF	2	C38,216
KEC-102FRZFT	CAP. CER. 50V F Z% 0.001UF	11	C13,55,61,69,92,93,122,59,501,503,504
KEC-103FRZFT	CAP. CER. 50V F Z% 0.01UF	48	C3,4,6,7,8,9,10,11,15,35,49,51,52,53,64,79,80, C81,84,85,86,87,98,105,106,115,117,120,121,124, C127,129,130,131,133,135,136,137,158, C146,156,160,402,403,125,126,502,301 E:583
KEC-104ERKYRT	CAP. CER. 25V YR K% 0.1UF	1	C154
KEC-109FRCSLT	CAP. CER. 50V SL C% 1PF	1	C18
KEC-151FRKSLT	CAP. CER. 50V SL K% 150PF	4	C108,139,141,159
KEC-209FRCSLT	CAP. CER. 50V SL C% 2PF	1	C142
KEC-220FRJSLT	CAP. CER. 50V SL J% 22PF	2	C107,161
KEC-220FRJ220T	CAP. CER. 50V RH J% 22PF	1	C1
KEC-221FRJ750T	CAP. CER. 50V UJ J% 220PF	1	C77
KEC-221FRKSLT	CAP. CER. 50V SL K% 220PF	1	C5
KEC-222FRMY5PT	CAP. CER. 50V YSP M% 0.0022UF	1	C44
KEC-222FRZFT	CAP. CER. 50V F Z% 0.0022UF	1	C97
KEC-270FRJNPOT	CAP. CER. 50V CH J% 27PF	1	C111
KEC-271FRJNPOT	CAP. CER. 50V CH J% 270PF	1	C42
KEC-271FRJ750T	CAP. CER. 50V UJ J% 270PF	2	C41,46
KEC-330FRJSLT	CAP. CER. 50V SL J% 33PF	3	C72,45,132
KEC-330FRJ220T	CAP. CER. 50V RH J% 33PF	1	C75
KEC-330FRJ750T	CAP. CER. 50V UJ J% 33PF	1	C305
KEC-331FRKSLT	CAP. CER. 50V SL K% 330PF	2	C140,149
KEC-391FRKSLT	CAP. CER. 50V SL K% 390PF	1	C109

CB 25LNW BOM

Item	Description	Qty	LOCATION
KEC-393FRZFT	CAP. CER. 50V F Z% 0.039uF	4	C43,68,71,145
KEC-470FRJSLT	CAP. CER. 50V SL J% 47PF	2	C12,40
KEC-471FRKSLT	CAP. CER. 50V SL K% 470PF	2	C110,157
KEC-472FRMY5TT	CAP. CER. 50V D M% 0.0047UF	1	C50
KEC-473FRZFT	CAP. CER. 50V F Z% 0.047UF	8	C16,17,20,24,25,39,112,134
KEC-509FRCSLT	CAP. CER. 50V SL C% 5PF	1	C83
KEC-680FRJ750T	CAP. CER. 50V UJ J% 68PF	1	C74
KECF-0018K	CER. FILTER KBF-455R-6AS	1	CF2 E:585
KECF-0018-A	CER. FILTER LTW455HT JIANG JIA	0	*
KECF-0069	CER. FILTER LT10.7MS2	1	CF1
KED-Z9A2	DIODE ZENER HZ9A2	1	D13
KED-Z9C3	DIODE ZENER HZ9C3	1	D15
KED-1SS85	DIODE PIN 1SS85	1	D2
KED-1SV161	DIODE VARICAP 1SV161 LONG LEAD	0	*
KED-1K261	DIODE GERMANIUM 1K261	0	*
KED-2-2AP261	DIODE GERMANIUM 2-2AP261	2	D4,D6
KED-4004-A	DIODE IN4004	2	D10,D17 E:G5509
KED-4004	DIODE 1N4004	0	*
KED-4148-A	DIODE IN4148 TOYO KUNI	13	D1,3,5,7,8,9,12,14,16,18,19,20,25
KEI-105LH	IFT KM771NC 10MHZ	2	L3,4
KEI-106LH	IFT KM776A	1	L1
KEI-107LH	IFT KM774NC 30MHZ	1	L2
KEI-108LH	IFT KM772NC 11MHZ	1	L19
KEI-111LH	IFT 4A1052A 455KHZ	1	L5
KEI-112LH	IFT 4A1051N 455KHZ	1	L6
KEI-114LH-1	IFT KM780NC 28MHZ	1	L14
KEI-115LH	IFT KM777NC 16.5MHZ	1	L16
KEI-117LH	IFT KM779NC 30MHZ	1	L17
KEI-121LH	COIL 1.9UH KM778N	1	L15
KEI-122LH	IFT 4A1050N 455KHZ	1	L7
KEI-123LH	IFT 2KM773N2C 27MHZ	1	L18
KEIC-TA7222AP	IC TA7222AP POWER AMP	1	IC1
KEIC-TA7310P	IC TA7310P PLL	1	IC2
KEIC-25LTD	IC 25LTD PLL (FOR COMMON CATHODE DIS	1	IC3
KEJ-010	ANTENNA RECEPTACLE 89713-0013	1	J401
KEJ-012	SPEAKER JACK JC-304B	2	J402,403
KEJ-060	JACK DC POWER 25-10813 #01	1	J405
KEJW-TA24AE	TINNED WIRE UL1007 #24 ORANGE	0.423	C(L=5-65-5mm), W4(L=5-240-5mm), TR18,E (L=98mm)
KEJW-TA24BK	TINNED WIRE UL1007 #24 BLACK	0.306	LW310,L=5-50-3MM - W401,L=5-40-5MM - G L=5-100-3MM - W24,L=18MM E:542,583
KEJW-TA24BN	TINNED WIRE UL1007 #24 BROWN	0.085	B (L=5-75-5mm)
KEJW-TA24RD	TINNED WIRE UL1007 #24 RED	0.498	SP+(L=5-230-5mm),W110(L=5-150-5mm),TR18,C(L=98mm)
KEJW-TA24WE	TINNED WIRE UL1007 #24 WHITE	0.508	A(L=5-150-5MM),SP-(L=5-230-3MM),W25(L=5-100-3MM)
KEJW-TA24YW	TINNED WIRE UL1007 #24 YELLOW	0.233	F(L=5-125-5mm),TR18,B (L=98mm)
KEJW-XXXBJW-23	WIRE BARE TINNED	1.81	JP1,3,4,6,9,11,12,13,14,15,17,18,19,20,21, JP22,25,29,30,D22,JP95 R91 (L=6mm), L401, JW1,2
KEL-S047	COIL SPRING 0.8X6X7.5 HA-S026	1	L9
KEL-S048	COIL SPRING 0.8X6X8.5 HA-S027	1	L8
KEL-V178MA-1	COIL FIXED 0.17UH 20% MT280-1163-N	1	L13
KEL-V208PM	COIL VARIABLE 0.20UH 20% E0001	1	L20
KEL-V308CH	COIL VARIABLE 0.3UH 20% 044-041-9-00	1	L10
KEL-V308AD	COIL VARIABLE 0.3UH 20% ANDA	0	*
KEL-101MA-1	COIL FIXED 100UH 10%	1	FOR R44
KEL-508CL	COIL FIXED 0.5UH 10% CWR4-503328	1	
KEL-508CH-1	COIL FIXED 0.5UH 10% EN0096B	0	*
KEM-AN3314003YB	M3.0 ANT TERMINAL (10014-6) NI BRASS	3	
KEM-MS3006B2N	M3x6 B/HD SCREW	11	
KEM-MS3008P2N	SCREW-MACHINE P/H M3X8MM	1	E:522
KEM-MS3008P2PN	PLASTIC SCREW P/H 3X8MM (NYLON)	3	
KEM-M0607	SHIELDING PLATE	1	
KEM-M0708A	HEAT SINK	1	
KEM-M8606A	FRAME	1	
KEM-NH0553022G	HEX NUT M3.0x0.5x2.2T (3504-1)	3	E:522
KEM-OT0602	SHIELDING PLATE INSULATION	1	
KEM-OT9002	BLIND RIVET DIA 3.2x6	3	
KEM-P9001	SLEEVE-JACK (FORKEJ-012)	2	FOR J402, 403
KEM-WI0643304N	INNER TOOTHED LOCK WASHER DIA. 3 (40	8	
KEOE-OT040	FIBRE SLEEVEING DIA. 1MM	0.034	L=10MM - L401,JP9,JP201 E:543
KEOE-OT118-1	FERRITE BEAD T5 RH 3.5X5X1.3	2	L12,50
KEOE-OT121-1	FERRITE BEAD TG RHH 7X6 (1.5)	1	L401
KEOE-OT124	MICA SHEET FOR TA7222P	1	YY1
KEOE-OT125-1	MICA SHEET FOR 2SC1957Q03.0MM	3	YY2,3

CB 25LNW BOM

Item	Description	Qty	LOCATION
KEOE-OT127	MICA SHEET FOR HEAT SINK INSULATION	1	YY4
KEOE-OT128	BUSHING FOR 2SC2075	1	YY5
KEOE-OT183	PVC TUBE DIA 2MM W/UL CSA	0.06	TR18
KEOE-OT190	FREEITE BEAD HF55BTL 3.5X8R	2	LS01,502
KEPC-262-E	PCB MAIN FOR CB25 S.S	1	E:606
KER-MX201FBB	RES. METAL-OXIDE 2W 5% S 200	1	R97
KER-MX399FBB	RES. METAL-OXIDE 2W 5% S 3.9 OHM	1	R77
KER-100CFB	RES. C-FILM 1/4W 5% F 10	1	R43
KER-101CBB	RES. C-FILM 1/4W 5% S 100	2	R69
KER-101CFB	RES. C-FILM 1/4W 5% F 100	1	R81
KER-102CBB	RES. C-FILM 1/4W 5% S 1K	1	R6
KER-102CFB	RES. C-FILM 1/4W 5% F 1K	12	R3,9,12,17,51,66,70,75,96,103,301,401
KER-102DBB	RES. C-FILM 1/2W 5% S 1K	1	R38
KER-103CBB	RES. C-FILM 1/4W 5% S 10K	4	R8,20,36,59
KER-103CFB	RES. C-FILM 1/4W 5% F 10K	7	R30,47,85,86,101,105,107
KER-103SR085	RES. SEMI-FIX SR085-2-10K	1	VR1
			E:607
KER-104CBB	RES. C-FILM 1/4W 5% S 100K	1	R78
KER-104CFB	RES. C-FILM 1/4W 5% F 100K	2	R53,15
KER-109CFB	RES. C-FILM 1/4W 5% F 1	2	R108,118
KER-150DBB	RES. C-FILM 1/2W 5% S 15	1	R89
KER-153CFB	RES. C-FILM 1/4W 5% F 15K	2	R52,64
KER-181CFB	RES. C-FILM 1/4W 5% F 180	1	R114
KER-182CBB	RES. C-FILM 1/4W 5% S 1.8K	1	R1002,E:
KER-183CFB	RES. C-FILM 1/4W 5% F 18K	1	R2
KER-220CFB	RES. C-FILM 1/4W 5% F 22	1	R40
KER-221CBB	RES. C-FILM 1/4W 5% S 220	1	R19
KER-221CFB	RES. C-FILM 1/4W 5% F 220	6	R4,7,11,21,71,88
KER-222CBB	RES. C-FILM 1/4W 5% S 2.2K	2	R56,67
KER-222CFB	RES. C-FILM 1/4W 5% F 2.2K	9	R13,23,55,57,63,76,80,106,111
KER-223CBB	RES. C-FILM 1/4W 5% S 22K	2	R28,60
KER-223CFB	RES. C-FILM 1/4W 5% F 22K	3	R5,74,150
KER-223D8A	RES. SEMI. EVN-D8A-A03 22K	1	VR3
			E:598
KER-225CFB	RES. C-FILM 1/4W 5% F 2.2M	1	R104
KER-270CFB	RES. C-FILM 1/4W 5% F 27	1	R48
KER-272CFB	RES. C-FILM 1/4W 5% F 2.7K	1	R82
KER-273CFB	RES. C-FILM 1/4W 5% F 27K	2	R16,65
KER-330CFB	RES. C-FILM 1/4W 5% F 33	1	R302
KER-331CFB	RES. C-FILM 1/4W 5% F 330	1	R39
KER-332CBB	RES. C-FILM 1/4W 5% S 3.3K	1	R46
KER-332CFB	RES. C-FILM 1/4W 5% F 3.3K	1	R102
KER-333CFB	RES. C-FILM 1/4W 5% F 33K	1	R116
KER-392CFB	RES. C-FILM 1/4W 5% F 3.9K	1	R1
KER-393CFB	RES. C-FILM 1/4W 5% F 39K	3	R29,62,87
KER-470CBB	RES. C-FILM 1/4W 5% S 47	2	R26,45
KER-470CFB	RES. C-FILM 1/4W 5% F 47	1	R84
KER-471CBB	RES. C-FILM 1/4W 5% S 470	1	R68
KER-471CFB	RES. C-FILM 1/4W 5% F 470	2	R49,94
KER-472CFB	RES. C-FILM 1/4W 5% F 4.7K	5	R10,58,73,79,95
KER-473CFB	RES. C-FILM 1/4W 5% F 47K	2	R24,109
KER-474CFB	RES. C-FILM 1/4W 5% F 470K	1	R22
KER-503SR085	RES. SEMI-FIX SR085-2-50K	1	VR4
			E:607
KER-560CBB	RES. C-FILM 1/4W 5% S 56	1	R72
KER-560CFB	RES. C-FILM 1/4W 5% F 56	1	R25
KER-560DBB	RES. C-FILM 1/2W 5% S 56	1	R100
KER-562CBB	RES. C-FILM 1/4W 5% S 5.6K	1	R112
KER-562CFB	RES. C-FILM 1/4W 5% F 5.6K	3	R37,110,113
KER-563CBB	RES. C-FILM 1/4W 5% S 56K	1	R34
KER-563CFB	RES. C-FILM 1/4W 5% F 56K	4	R32,33,61,31
KER-681CFB	RES. C-FILM 1/4W 5% F 680	2	R14,98
KER-681KVSF637A	RES. SEMI. KVSF637A 680	2	VR2,5
KER-223RH06J	RES. SEMI. RH0615CJ4J 22K	0	*
KER-223KVSF637A	RES. SEMI. KVSF637A 22KOHM	0	*
KER-683CFB	RES. C-FILM 1/4W 5% F 68K	2	R18,117
KER-822CBB	RES. C-FILM 1/4W 5% S 8.2K	1	R27
KER-822CFB	RES. C-FILM 1/4W 5% F 8.2K	2	R54,115
KER-823CFB	RES. C-FILM 1/4W 5% F 82K	1	R83
KER-824CFB	RES. C-FILM 1/4W 5% F 820K	1	R50
KET-C2078E	TRANSISTOR NPN 2SC2078(E)	1	TR7
KET-C2078D	TRANSISTOR NPN 2SC2078(D)	0	*
KET-KSA733C-G	TRANSISTOR PNP TR KSA733C-G	3	TR14,16,22
KET-2SC1674L	TRANSISTOR NPN 2SC1674L	1	TR1
KET-2SC1675L	TRANSISTOR NPN 2SC1675L	7	TR2,TR3,TR4,TR5,TR11,TR12,TR20
			E:G5498
KET-2SC1675K	TRANSISTOR NPN 2SC1675K TO-92	0	*
KET-2SC1957Q	TRANSISTOR NPN 2SC1957-Q	2	TR8,18

CB 25LNB BOM

Item	Description	Qty	LOCATION
KET-2SC2236Y	TRANSISTOR NPN 2SC2236Y	1	TR17
KET-2SC941TMO	TRANSISTOR NPN 2SC941TMO	1	TR9
KET-2SC945AQ	TRANSISTOR NPN 2SC945AQ	7	TR6,10,13,15,19,21,23
KET-2SK192AY	FET 2SK192A-Y	2	FET1,2
KETR-010-1	TRANSFORMER MOD ETM512-96	1	T1
KETR-011-1	TRANSFORMER CHOKE ETM511-96	1	T2
KEX-0318	CRYSTAL 10.24DMHZ CL=30PF	1	X1
25LNBW2	LED PCB (ALL)	1	
25LNBW2XXX	LED PCB COMMON	1	
KED-LC4022-11E	DIODE LED 7 SEGS 2 DIGITS LC4022-11	1	D302
KED-LC402NDGC-1	DIODE LED 7 SEGS 2 DIGITS C402	0	*
KED-BDC402NI-L9	DIODE LED 7 SEGS 2 DIGITS BDC402N8-L	0	*
KED-L204R	DIODE LED EL204HD RED	1	D801
KED-L64GR	DIODE LED LT0362-25-D63 RED-GREEN	1	D302
KEJW-SA26BL	STRAND WIRE UL1007 #26 BLUE	0.206	JW810(L=106MM)
KEJW-SA26GY	STRAND WIRE UL1007 #26 GRAY	0.208	JW907
KEJW-TA24AE	TINNED WIRE UL1007 #24 ORANGE	0.22	JW807 (L=220mm)
KEJW-TA24BK	TINNED WIRE UL1007 #24 BLACK	0.11	JW809L=5-100-5MM
KEJW-TA24BN	TINNED WIRE UL1007 #24 BROWN	0.22	JW808 (L=220mm)
KEJW-TA24GR	TINNED WIRE UL1007 #24 GREEN	0.28	W34 (L=280mm)
KEJW-TA24RD	TINNED WIRE UL1007 #24 RED	0.36	W33 (L=360mm)
KEJW-TA24WE	TINNED WIRE UL1007 #24 WHITE	0.22	JW803 (L=220mm)
KEOE-OT295-C	COVER FOR CB DUAL DIGIT DISPLAY	1	E:G5579
KEOE-OT295-A	COVER 0.4" D/D CAP GREEN PANTAGE	0	*
KEOE-OT295	A-402NDGC COVER	0	*
KEOE-OT295-B	COVER 0.4" D/D CAP GREEN PANTA	0	*
KEPC-261-C	PCB LED 54x25x1.6mm SS DS	1	
KER-112JFB	RES. C-FILM 1/8W 5% F 1K1	1	R805
KESW-064	PUSH BUTTON SWITCH 2C2P W/LOCK	1	SW801
25LNBW3	CHANNEL SELECTOR UNIT	1	
25LNBW3XXX	CHANNEL SELECTOR COMMON	1	
KED-4148-A	DIODE IN4148 TOYO KUNI	21	D201,202,203,204,205,206,207,208,209,210,211,212 D213,214,216,217,218,219,220,221,222 E:E505
KEOE-OT130-1	FLAT CABLE 2.5mm PITCH 5-50-5 10 COR	1	FC1
KEPC-260-A	PCB CH SWITCH 46X55X1.6MM SS	1	E:
KER-271JBB	RES. C-FILM 1/8W 5% S 270	4	R211,R214,R204,R213,E:
KER-331JBB	RES. C-FILM 1/8W 5% S 330	10	R203,R205,R206,R208,R210,R215,R209,R201,R202,R207 E:
KESW-047	CHANNEL SELECTOR GPS-0736 40CH	1	SW201
25LNBW4	COMPANDER PCB (ALL)	1	
25LNBW4XXX	COMPANDER PCB COMMON	1	
KEC-E105HRMU	CAP. ELECT. 50V M% 1UF	1	C809,E:
KEC-E106ERMU	CAP. ELECT. 16V M% 10UF	6	C802,803,804,806,807,820
KEC-E224HRMU	CAP. ELECT. 50V M% 0.22UF	3	C813,819,815
KEC-E225HRMU	CAP. ELECT. 50V M% 2.2UF	2	C801,805
KEC-E474HRMKA	CAP. ELECT. 50V M% 0.47UF	1	C816
KEC-E476ERMU	CAP. ELECT. 16V M% 47UF	1	C814
KEC-103FRZFT	CAP. CER. 50V F 2% 0.01UF	2	C817,818
KEC-104FRZFT	CAP. CER. 50V F 2% 0.1UF	1	C812
KEC-151FRKSLT	CAP. CER. 50V SL K% 150PF	1	C810
KEC-332FRKBT	CAP. CER. 50V B K% 0.0033UF	1	C811
KEC-682ERKYRT	CAP. CER. 25V SR K% 0.0068UF	1	C808
KED-4148-A	DIODE IN4148 TOYO KUNI	1	D802
KEIC-TA31101AP	IC TA31101AP COMPANDER TOSHIBA	1	IC801
KEIC-TC4066	IC TC4066BP DIP QUAD ANALOG SW	1	IC802
KEJW-TA24AE	TINNED WIRE UL1007 #24 ORANGE	0.09	WB(L=5-80-5mm)
KEJW-TA24BK	TINNED WIRE UL1007 #24 BLACK	0.1	W1(L=5-90-5mm)
KEJW-TA24BL	TINNED WIRE UL1007 #24 BLUE	0.1	WA(L=5-90-5mm)
KEJW-TA24GR	TINNED WIRE UL1007 #24 GREEN	0.11	WD (L=5-100-5mm)
KEJW-TA24YW	TINNED WIRE UL1007 #24 YELLOW	0.14	W8 (L=5-130-5mm)
KEPC-264-B1	COMPANDER PCB 31X61X1.6MM DS	1	
KER-102CFB	RES. C-FILM 1/4W 5% F 1K	1	R806
KER-103CFB	RES. C-FILM 1/4W 5% F 10K	2	R804,807
KER-124CFB	RES. C-FILM 1/4W 5% F 120K	1	R801
KER-222CFB	RES. C-FILM 1/4W 5% F 2.2K	1	R810
KER-393CFB	RES. C-FILM 1/4W 5% F 39K	1	R803
KER-472CFB	RES. C-FILM 1/4W 5% F 4.7K	2	R808,809
KER-821CFB	RES. C-FILM 1/4W 5% F 820	1	R802
KET-2SC945AQ	TRANSISTOR NPN 2SC945AQ	1	Q801
25LNBW5	NIGHTWATCH PCB (ALL)	1	
25LNBW5XXX	NIGHTWATCH PCB COMMON	1	
KEC-E107FRMU	CAP. ELECT. 25V M% 100UF	2	C902,C907
KEC-E477FRMU-1	CAP.ELECT 25V M% 470UF 10x12mm	1	C906E:525
KEC-MY683IRKP	CAP. MYLAR 100V K% 0.068UF	1	C905
KEC-T106ERMU	CAP. TANT. 16V M% 10UF	1	C901 E:586
KEJW-SA24BK	STRAND WIRE UL1007 #24 BLACK	0.12	JW902L=5-110-5MM

CB 25LNW BOM

Item	Description	Qty	LOCATION
KEJW-SA26BL	STRAND WIRE UL1007 #26 BLUE	0.138	JW908L=3-200-5MM
KEJW-SA26RD	STRAND WIRE UL1007 #26 RED	0.218	JW901
KEJW-XXXBJW-23	WIRE BARE TINNED	1	R919
KEL-102HA-5	COIL FIXED 1mH 10% WITH UL TUBE	1	L901
KEM-M8411A	SHIELD CASING	1	E:584
KEM-OT8407	SHIELD CUCHION 19X14X1,0	1	E:584
KEOE-OT040	FIBRE SLEEVING DIA. 1MM	0.004	
KER-205JBB	RES. C-FILM 1/8W 5% S 2M	1	R904 E:580
KET-LM8050J	TRANSISTOR NPN LM8050J	1	Q901
KET-25C945AP	TRANSISTOR NPN 25C945AP	3	Q902,Q903,Q904E:528
25LNWB5S	NIGHT WATCH PCB SMD COMM	1	
KCC-101FRJNPOM	CAP. CER. CHIP 50V CH J% 100PF	1	C904,E:
KCC-102FRJNPOM	CAP. CER. CHIP 50V CH J% 0.001UF	1	C903
KCC-104FRZFM	CAP. CER. CHIP 50V F Z% 0.1UF	1	C908 E:581
KCD-LL4148	DIODE CHIP LL4148	2	D902,D903 E:G5607
KCD-LS4148	DIODE CHIP LS4148	0	*
KCD-TZMC5V1	DIODE CHIP ZENER TZMC5V1 0.5W 5.1V	1	D901 E:586,G5516
KCD-ZMM5V1	DIODE CHIP ZENER ZMM5V1 0.5W 5.1V	0	*
KCR-000A	RES. CHIP 1/10W 0 OHM	1	R922E:528
KCR-100A	RES. CHIP 1/10W 10	1	R906,E:
KCR-102A	RES. CHIP 1/10W 1K	4	R901,R902,R907,R921E:528
KCR-103A	RES. CHIP 1/10W 10K	1	R912E:528
KCR-123A	RES. CHIP 1/10W 12K	1	R919
KCR-203A	RES. CHIP 1/10W 20K	1	R917
KCR-242A	RES. CHIP 1/10W 2.4K	1	R908E:528
KCR-362A	RES. CHIP 1/10W 3.6K	1	R910E:528
KCR-431A	RES. CHIP 1/10W 430	1	R918
KCR-472A	RES. CHIP 1/10W 4.7K	1	R911
KCR-513A	RES. CHIP 1/10W 51K	1	R905
KCR-514A	RES. CHIP 1/10W 510K	1	R903,E:
KCR-561A	RES. CHIP 1/10W 560	2	R913,R914
>>>> End of BOM			



6500 W. Cortland St., Chicago, IL 60707
Technical Support Number 1-800-638-3680
Customer Service Number 1-773-889-3087

25 LTD ST/25 WX ST SM